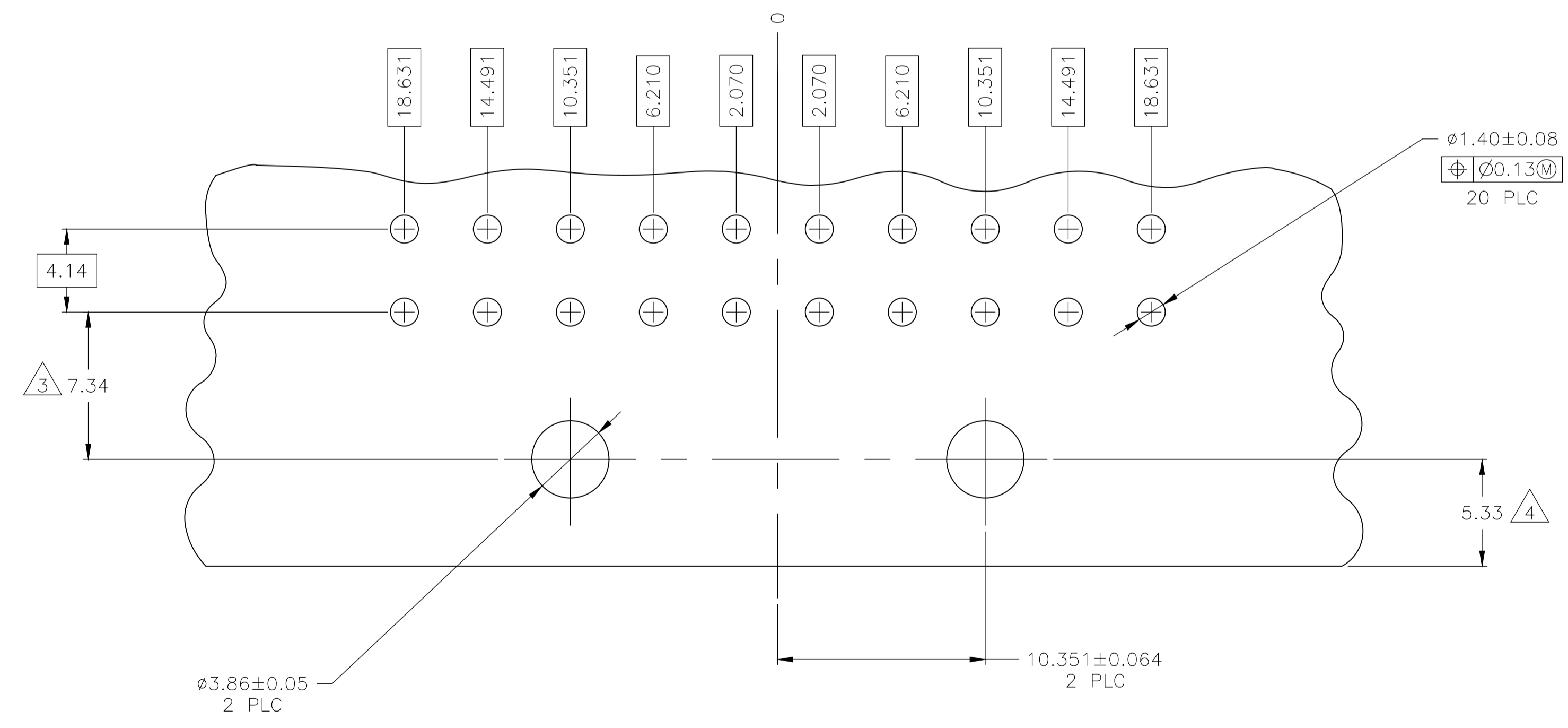
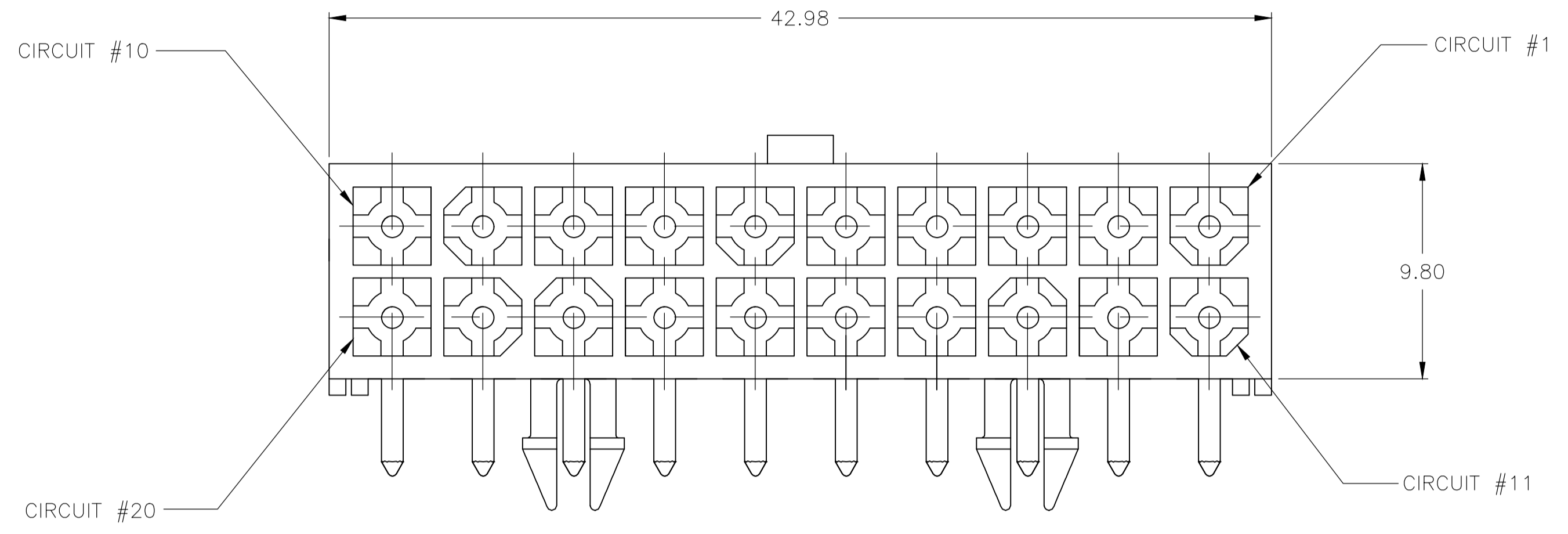
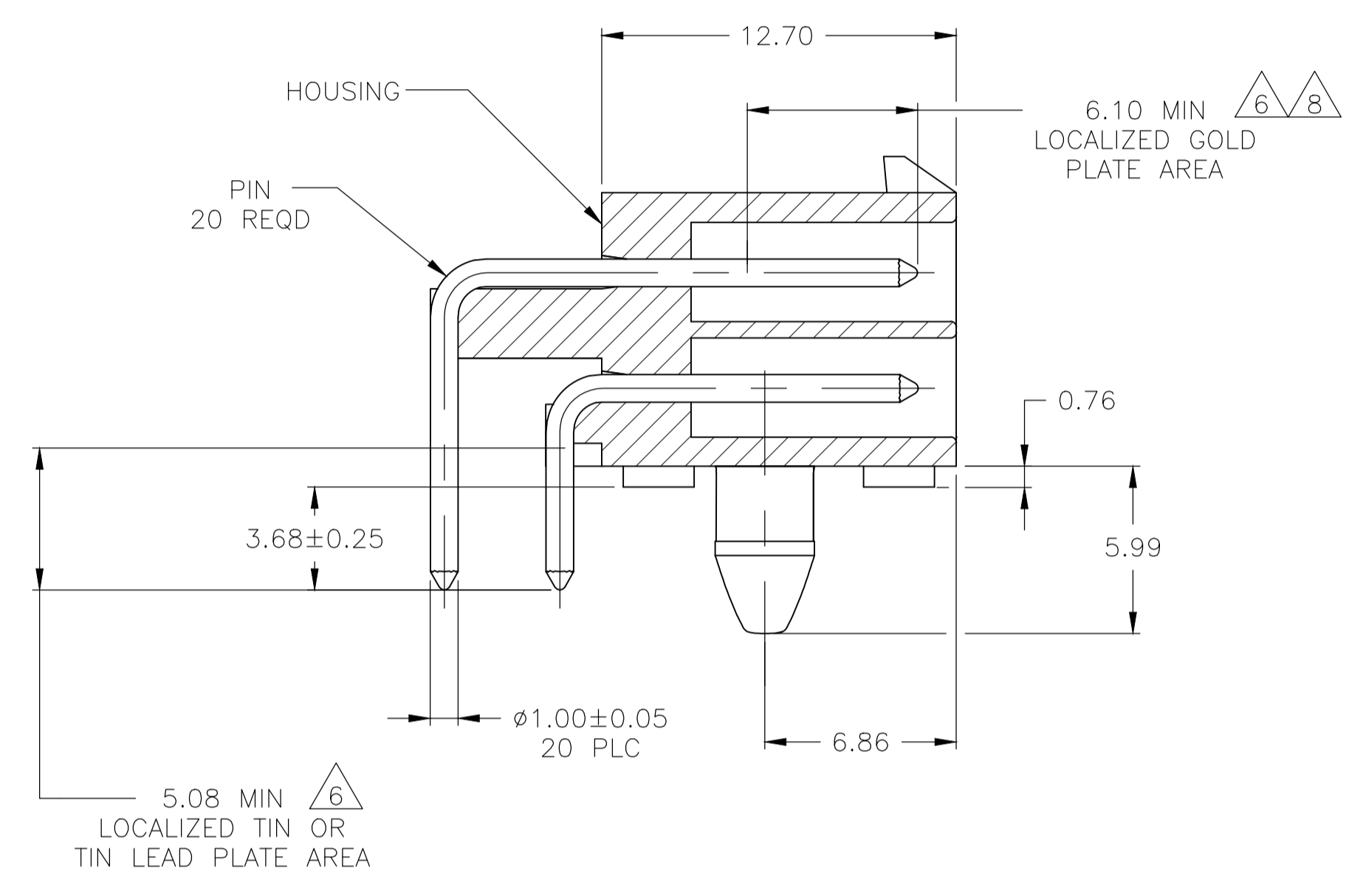


REVISIONS					
P	LTR	DESCRIPTION	DATE	DMN	APVD
C3		REVISED PER ECR-20-004142	29JUN2020	BDA	SW

1. PINS TO COMPLY WITH AMP SOLDERABILITY SPEC 109-11-3.
2. MATES WITH PLUG P/N 770585-1.
3. COORDINATE DIMENSION APPLIES FROM CENTER OF ACTUAL FEATURE.
4. RECOMMENDED FOR EDGE MOUNTING.
5. 0.00381 MIN MATTE TIN LEAD PLATE OVER 0.00127 MIN NICKEL.
6. 0.00076 MIN GOLD PLATE IN THE LOCALIZED GOLD PLATE AREA, 0.00381 MIN MATTE TIN LEAD IN THE LOCALIZED PLATE AREA, BOTH OVER 0.00127 MIN NICKEL.
7. 0.00381 MIN MATTE TIN PLATE OVER 0.00127 MIN NICKEL.
8. 0.00076 MIN GOLD PLATE IN THE LOCALIZED GOLD PLATE AREA, 0.00381 MIN MATTE TIN IN THE LOCALIZED TIN PLATE AREA, BOTH OVER 0.00127 MIN NICKEL.
9. SUPERSEDED BY 1-794106-1



RECOMMENDED MOUNTING HOLE PATTERN FOR 1.57 THICK P.C. BOARD

MM	IN	MM	IN	MM	IN
1.00	.039	6.10	.240	-	-
0.76	.030	5.99	.236	42.98	1.692
0.25	.010	5.33	.210	18.631	.7335
0.13	.005	5.08	.200	14.491	.5705
0.08	.003	4.14	.163	12.70	.500
0.064	.0025	3.86	.152	10.351	.4075
0.05	.002	3.68	.145	9.80	.386
0.00381	.000150	2.070	.0815	7.34	.289
0.00127	.000050	1.57	.062	6.86	.270
0.00076	.000030	1.40	.055	6.210	.2445
MM	IN	MM	IN	MM	IN

CONVERSION TABLE

BRASS	GOLD	NYLON, UL94V-0	WHITE	1-794106-1	
BRASS	TIN	NYLON, UL94V-0	WHITE	1-794106-0	
BRASS	GOLD	NYLON, UL94V-0	WHITE	794106-2	
OBSOLETE	BRASS	TIN LEAD	NYLON, UL94V-0	WHITE	794106-1
MATERIAL FINISH		MATERIAL	COLOR	PART NO	
PIN		HOUSING			
THIS DRAWING IS A CONTROLLED DOCUMENT.		DIN K WHITAKER CHK R SWING APVD R ORSTAD PRODUCT SPEC NAME APPLICATION SPEC WEIGHT CUSTOMER DRAWING			
DIMENSIONS: mm		TOLERANCES UNLESS OTHERWISE SPECIFIED: 0 PLC ± - 1 PLC ± - 2 PLC ± 0.13 3 PLC ± - 4 PLC ± - ANGLES ± -			
MATERIAL SEE TABLE		SIZE A1 CASE CODE 00779 DRAWING NO C=794106 SCALE 5:1 SHEET 1 of 1 REV C3			

单击下面可查看定价，库存，交付和生命周期等信息

[>>TE Connectivity\(泰科\)](#)