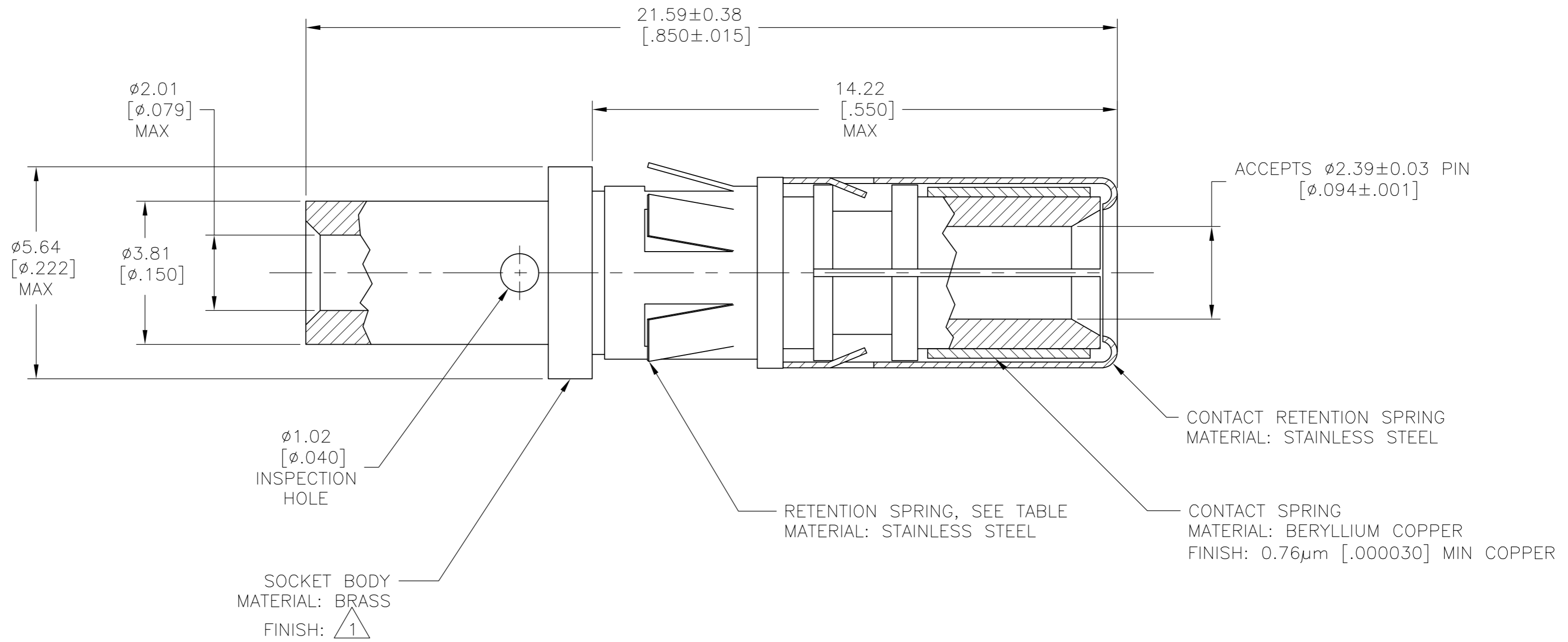


THIS DRAWING IS UNPUBLISHED. RELEASED FOR PUBLICATION  
 © COPYRIGHT - By - ALL RIGHTS RESERVED.

REVISIONS				
P	LTR	DESCRIPTION	DATE	APVD
H1		REVISED PER ECO-16-004223	20JUL2016	NK MZ



1 0.76 μm [0.000030] MIN GOLD OVER 1.27 μm [0.000050] MIN NICKEL.

2 ASSEMBLY MATES WITH PIN ASSEMBLY 202421.

OBSOLETE	NO	<del>202418-3</del>
	YES	202418-1
	RETENTION SPRING	PART NUMBER

THIS DRAWING IS A CONTROLLED DOCUMENT.		DWN B.CARBO 30 DEC 97	TE Connectivity	
DIMENSIONS: mm [INCHES]		CHK R.STONE 09 JAN 98		
TOLERANCES UNLESS OTHERWISE SPECIFIED:		APVD G.STEINHAUER 30 JAN 98	NAME	
0 PLC ± - 1 PLC ± - 2 PLC ± 0.13 [.005] 3 PLC ± - 4 PLC ± - ANGLES ± -		PRODUCT SPEC	CONTACT ASSEMBLY, SOCKET, WIRE SIZE #16-#18, TYPE I	
MATERIAL SEE CALLOUTS		FINISH SEE CALLOUTS	APPLICATION SPEC	RESTRICTED TO
		WEIGHT	SIZE A2	CAGE CODE 00779
		CUSTOMER DRAWING	DRAWING NO C=202418	REV H1
		SCALE 10:1	SHEET 1 OF 1	

单击下面可查看定价，库存，交付和生命周期等信息

[>>TE Connectivity\(泰科\)](#)