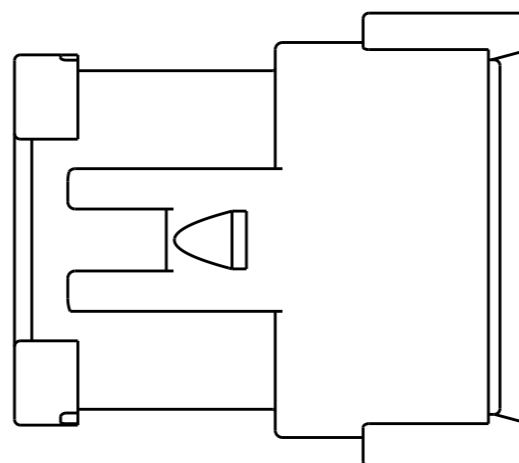
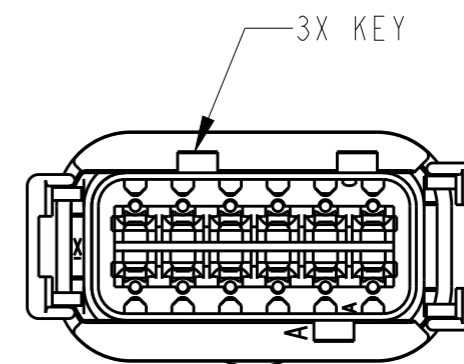
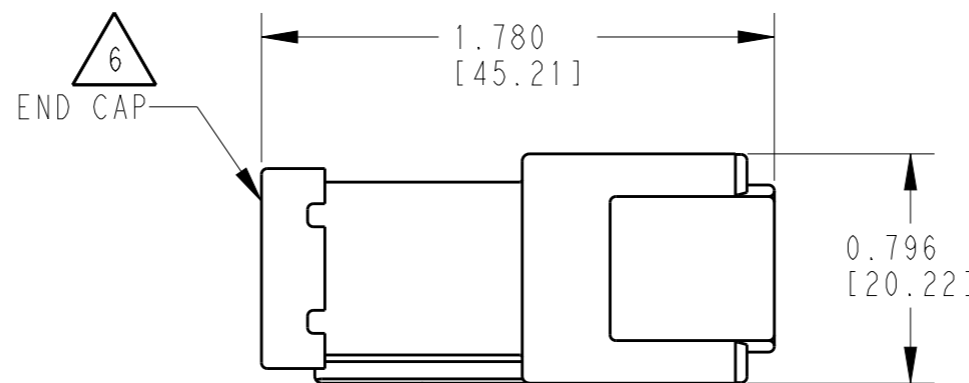
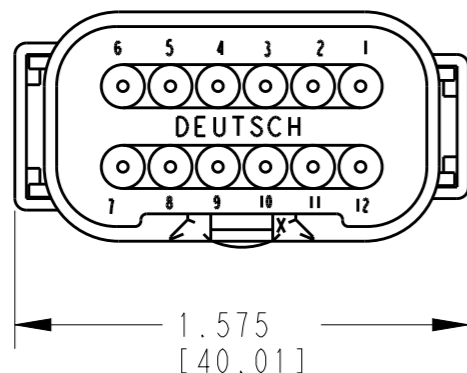
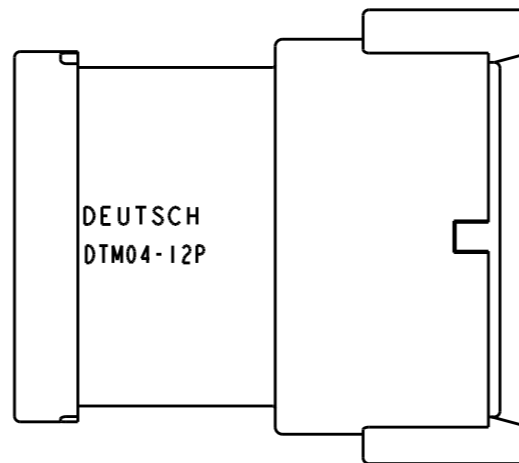
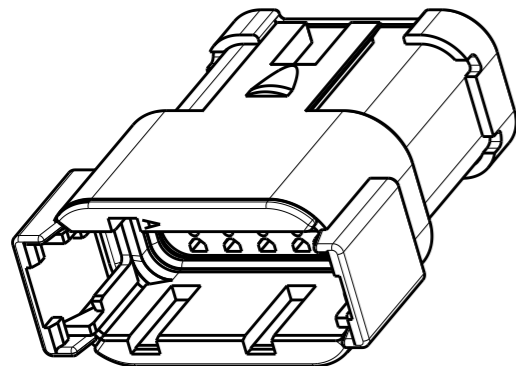


THIS DRAWING IS UNPUBLISHED
 © COPYRIGHT 2001 BY TE CONNECTIVITY ALL RIGHTS RESERVED.
 RELEASED FOR PUBLICATION 2015

LOC		DIST		REVISIONS			
P	LTR	DESCRIPTION	DATE	DWN	APVD		
	NC	NEW RELEASE PER E.O. P17175	16MAR2001		RDR		
	A	REVISED PER E.O. P20692	14JUL2011	SZ	RDR		
	A1	REVISED PE ECO-15-000132	05JAN2015	JA	DM		



TE INTERNAL PN	DEUTSCH PN
DTM04-12PA-E003	DTM04-12PA-E003
DTM04-12PB-E003	DTM04-12PB-E003
DTM04-12PC-E003	DTM04-12PC-E003
DTM04-12PD-E003	DTM04-12PD-E003

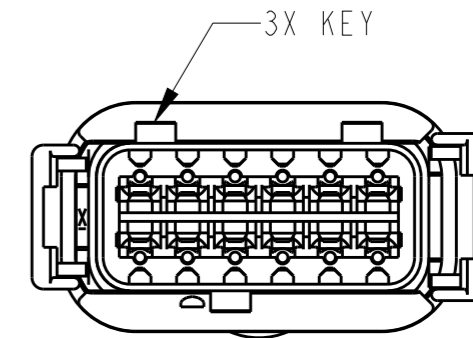
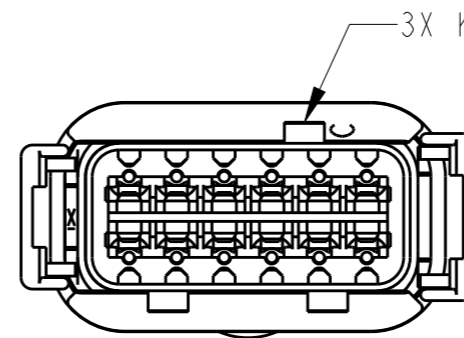
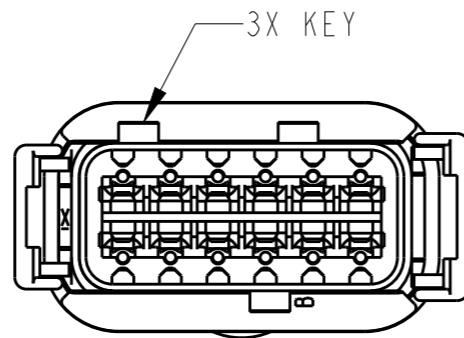
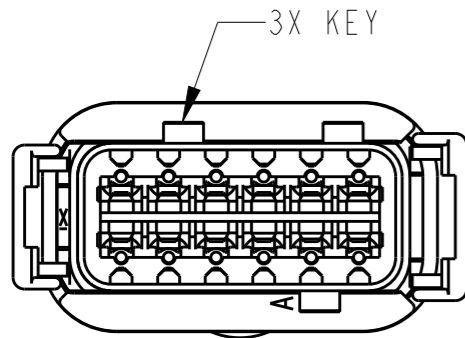
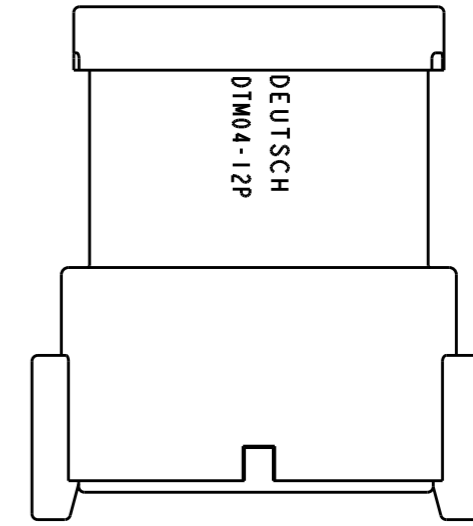
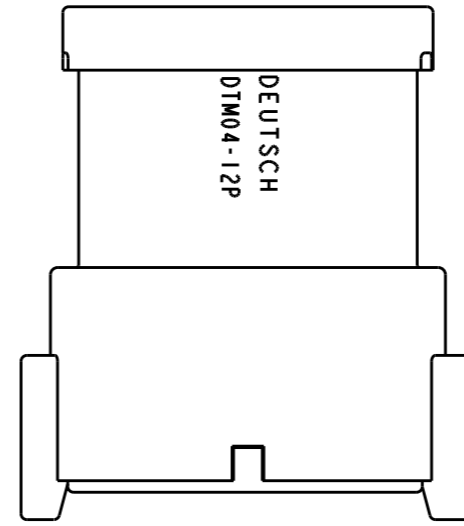
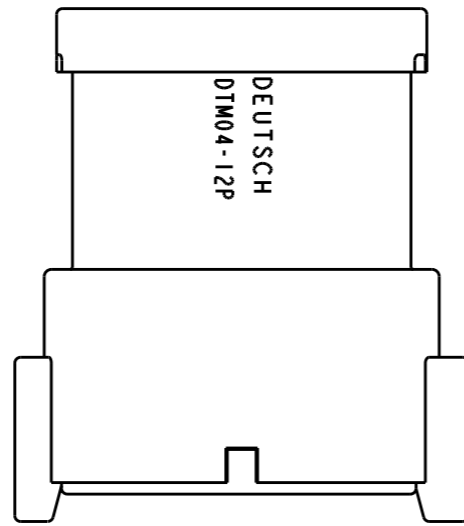
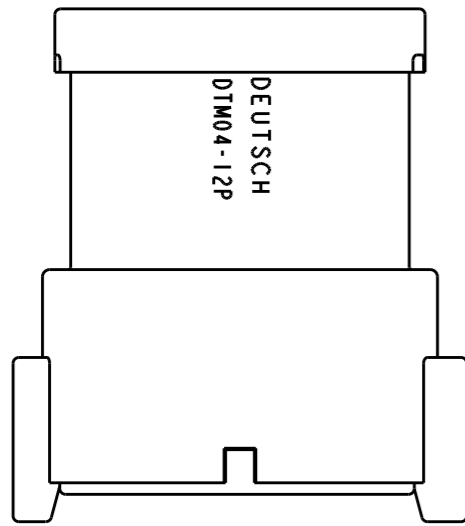
CONTACT SIZE	MIN. INSUL. O.D.	MAX. INSUL. O.D.	WIRE RANGE [mm ²] REF ONLY
20	.053 [1.35]	.120 [3.05]	16-20 AWG [1.0-0.5]

- PART MODIFICATION.
- 5. SEE SHEET 2 FOR OTHER KEY ARRANGEMENTS.
- MATERIAL - HOUSING/END CAP: NYLON 6/6 15% GF; GROMMET: SILICONE.
- 3. THIS RECEPTACLE MATES WITH DTM06-12SX-XXXX PLUG. (X = A,B,C,D KEYS; XXXX = ALL MODIFICATIONS)
- FOR CONTACT AND WIRE PERFORMANCE AND APPLICATION CHARACTERISTICS SEE ENVELOPE DRAWING 0425-015-0000.
- 1. SECONDARY WEDGE LOCK SOLD SEPARATELY: WM-12P.

NOTES: UNLESS OTHERWISE SPECIFIED

THIS DRAWING IS A CONTROLLED DOCUMENT.		DWN S. ZERMENO 01 JUN 2011			
DIMENSIONS: INCHES [mm]		CHK BOB MILLIGAN 06 JUN 2011			
TOLERANCES UNLESS OTHERWISE SPECIFIED:		APVD STEVE BEARD 12 JUL 2011		NAME RECEPTACLE WITH END CAP 12 CONT SIZE 20 A,B,C,D KEYS, -E003 MOD DTM SERIES	
0 PLC ± 1 PLC ± 2 PLC ± 3 PLC ±.025 [0.64] 4 PLC ± ANGLES ±0°30'0"		PRODUCT SPEC 0425-015-0000		SIZE A3	
MATERIAL		APPLICATION SPEC 0425-015-0000		CAGE CODE 4AFU8	
FINISH N/A		WEIGHT		DRAWING NO. DTM04-12PX-E003	
		Customer Drawing		RESTRICTED TO -	
		SCALE 3:2		SHEET 1 OF 2	
				REV A1	

LOC	DIST	REVISIONS			
P	LTR	DESCRIPTION	DATE	DWN	APVD
		SEE SHEET 1	-	-	-



DTM04-12PA-E003
KEY -A-
COLOR: GREY

DTM04-12PB-E003
KEY -B-
COLOR: BLACK

DTM04-12PC-E003
KEY -C-
COLOR: GREEN

DTM04-12PD-E003
KEY -D-
COLOR: BROWN

THIS DRAWING IS A CONTROLLED DOCUMENT.		DWN S. ZERMENO 01 JUN 2011																
DIMENSIONS: INCHES [mm]		CHK BOB MILLIGAN 06 JUN 2011																
TOLERANCES UNLESS OTHERWISE SPECIFIED:		APVD STEVE BEARD 12 JUL 2011	NAME RECEPTACLE WITH END CAP 12 CONT SIZE 20 A,B,C,D KEYS, -E003 MOD DTM SERIES															
<table border="0"> <tr><td>0 PLC</td><td>±</td></tr> <tr><td>1 PLC</td><td>±</td></tr> <tr><td>2 PLC</td><td>±</td></tr> <tr><td>3 PLC</td><td>±.025 [0.64]</td></tr> <tr><td>4 PLC</td><td>±</td></tr> <tr><td>ANGLES</td><td>±0°30'0"</td></tr> </table>		0 PLC	±	1 PLC	±	2 PLC	±	3 PLC	±.025 [0.64]	4 PLC	±	ANGLES	±0°30'0"	PRODUCT SPEC 0425-015-0000	SIZE A3	CAGE CODE 4AFU8	DRAWING NO DTM04-12PX-E003	RESTRICTED TO -
0 PLC	±																	
1 PLC	±																	
2 PLC	±																	
3 PLC	±.025 [0.64]																	
4 PLC	±																	
ANGLES	±0°30'0"																	
MATERIAL 4		APPLICATION SPEC 0425-015-0000	SCALE 1:1		SHEET 2	OF 2	REV A1											
FINISH N/A		WEIGHT	Customer Drawing															

单击下面可查看定价，库存，交付和生命周期等信息

[>>TE Connectivity\(泰科\)](#)