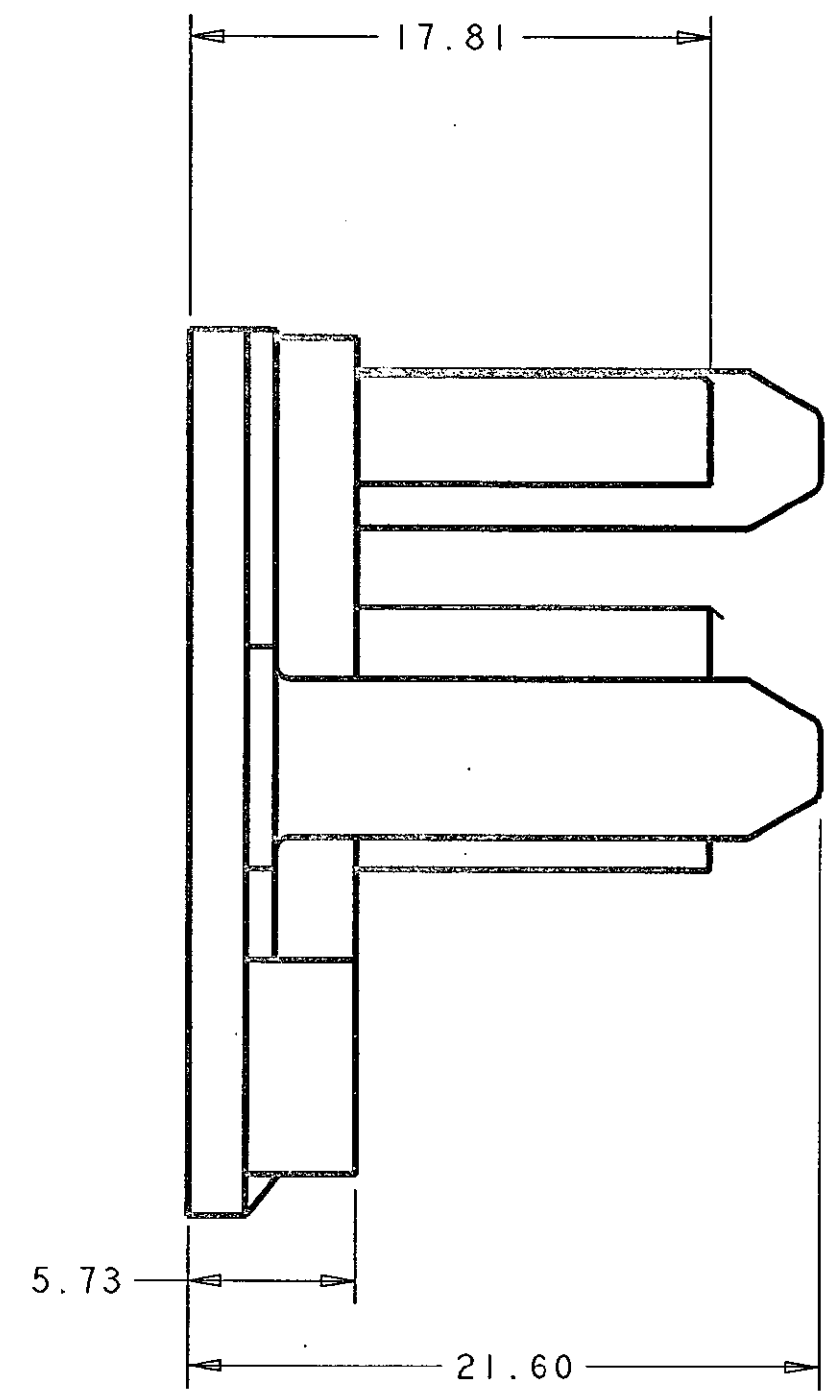
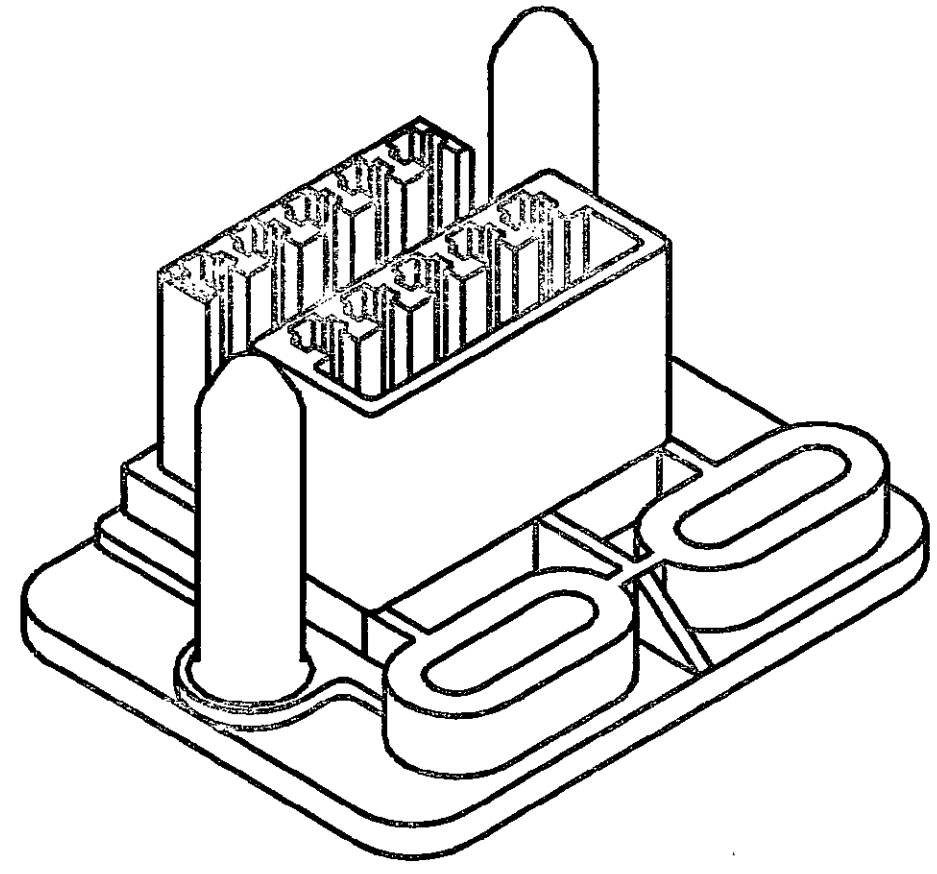
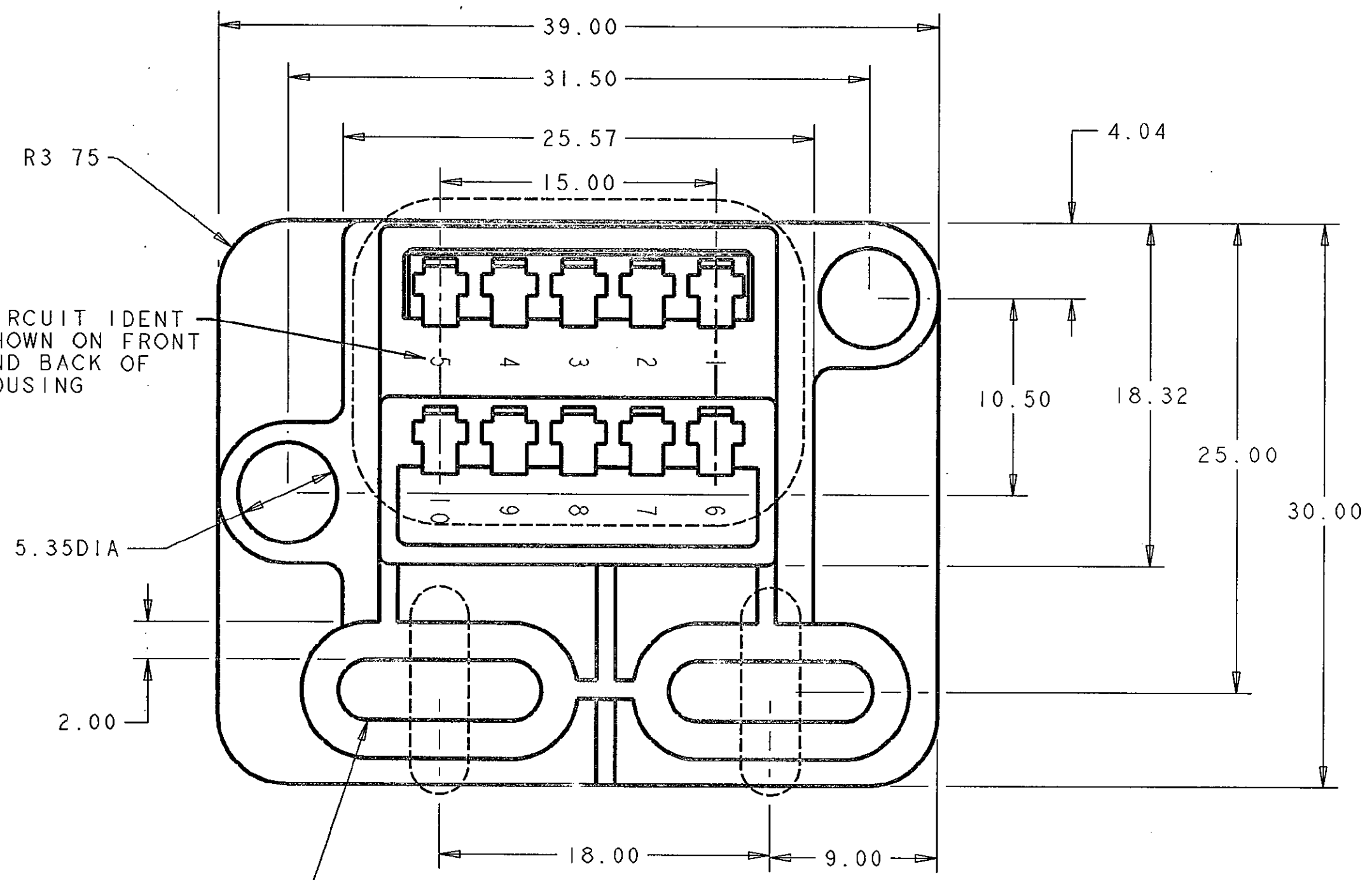


C.A.D. FILE CODE  
C343347.A

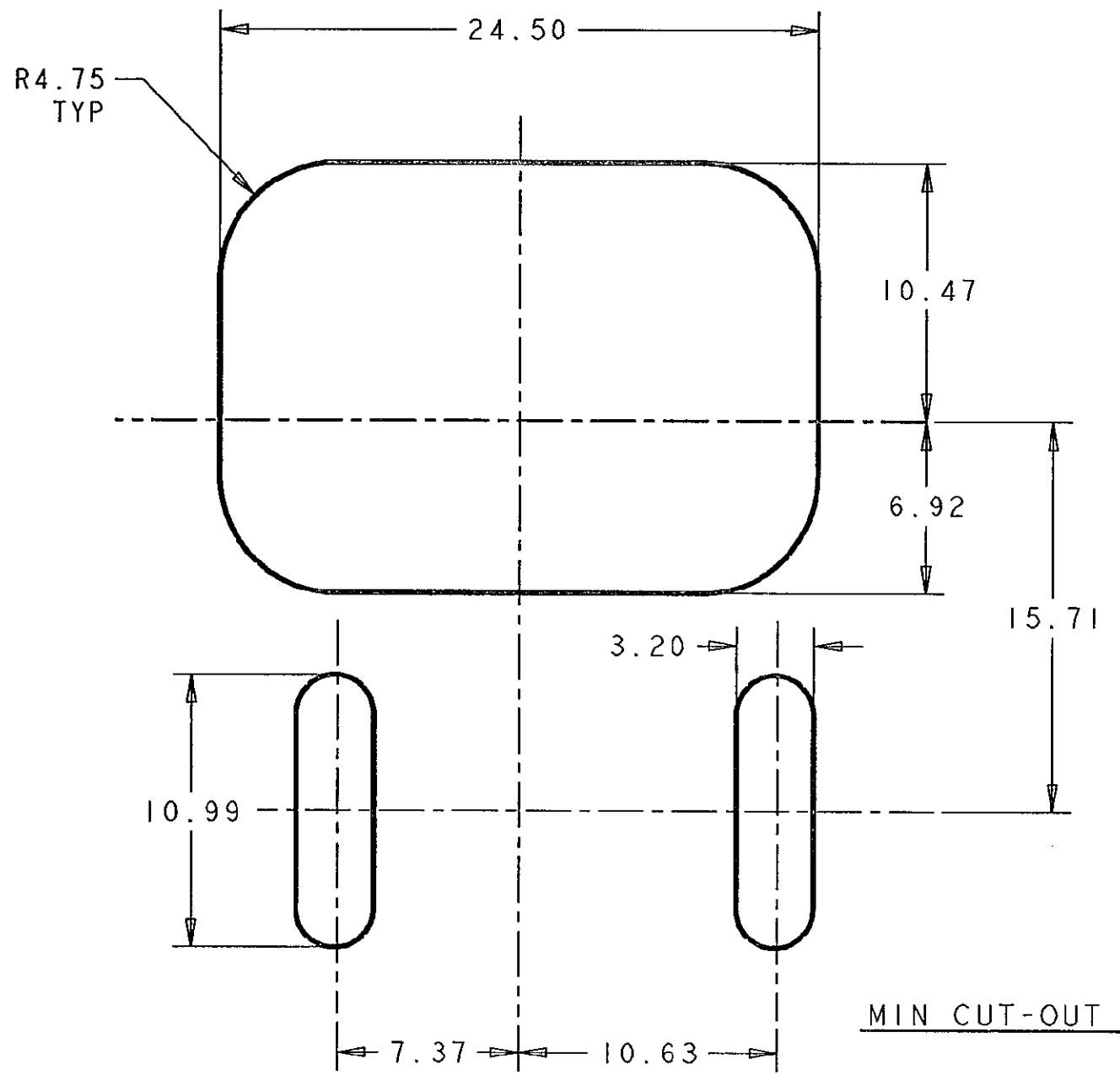
DO NOT SCALE DIMENSIONS IN MM.



R3.75  
CIRCUIT IDENT  
SHOWN ON FRONT  
AND BACK OF  
HOUSING



2-SLOTS 3.2 WIDE x 11 LONG



MIN CUT-OUT DIMS

MOULDING AS -1 BUT WITH GATE  
BURR TRIMMED

BLACK	30% GF PBT UL 94 V0	343347-2
BLACK	30% GF PBT UL 94 V0	343347-1
FINISH	MATERIAL	PART NUMBER
<b>CUSTOMER DWG</b> FOR REFERENCE ONLY		
THIS INFORMATION IS CONFIDENTIAL AND IS DISCLOSED TO YOU ON CONDITION THAT NO FURTHER DISCLOSURE IS MADE BY YOU TO OTHER THAN AMP PERSONNEL WITHOUT WRITTEN AUTHORIZATION FROM AMP OF GREAT BRITAIN LTD.		
TOLERANCES UNLESS OTHERWISE STATED: DEC ± 0.5 ANGLES ± 1°		DR. A. J. BEKEN 22 FEB 1989
NAME 10 WAY DRAWER CONN PLUG HOUSING		CH. R. W. BAKER APP. R. W. BAKER
SCALE LOC SIZE DWG. No.		AMP TERMINAL HOUSE of Great Britain Ltd. STANMORE MIDDX.
REV APPROVED	ECN DATE	REV SHEET
		4/1 E A2 C343347 A 1/1

单击下面可查看定价，库存，交付和生命周期等信息

[>>TE Connectivity\(泰科\)](#)