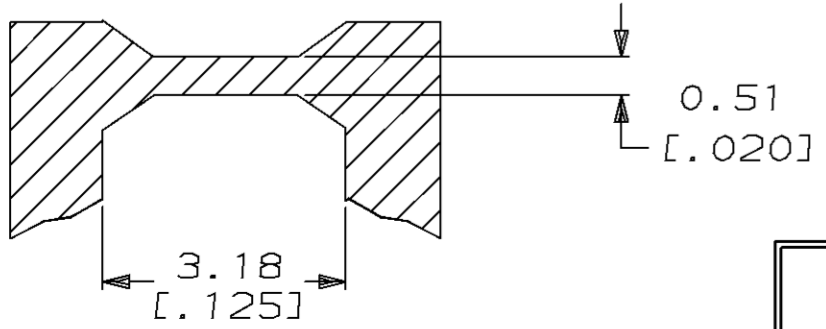
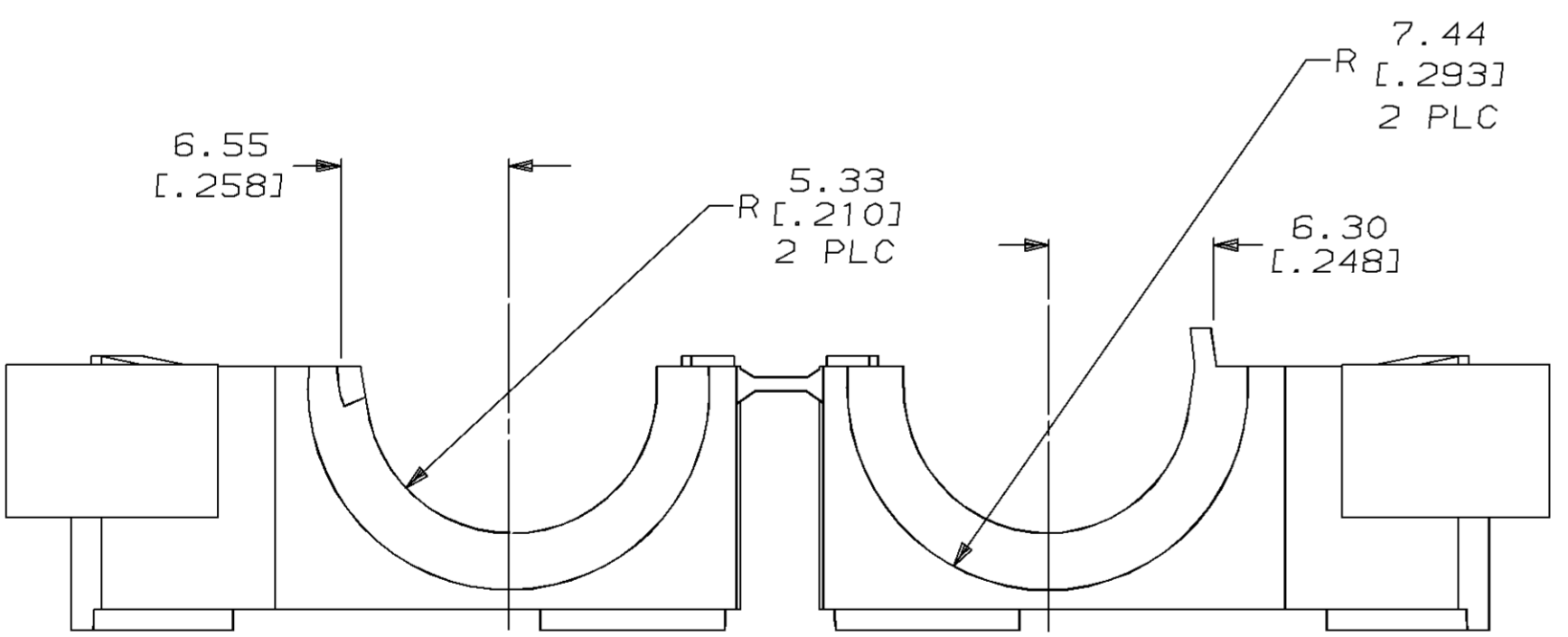
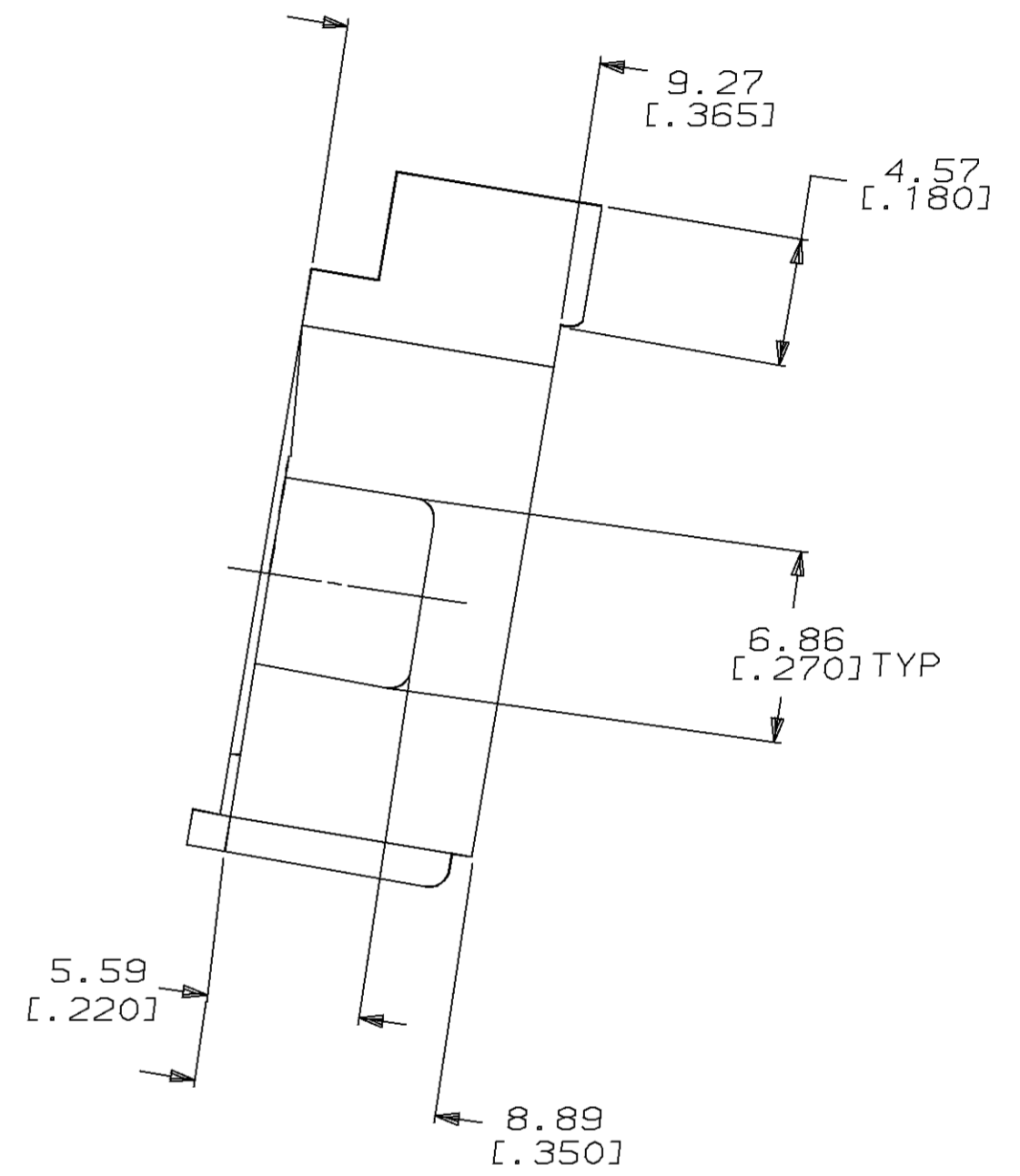
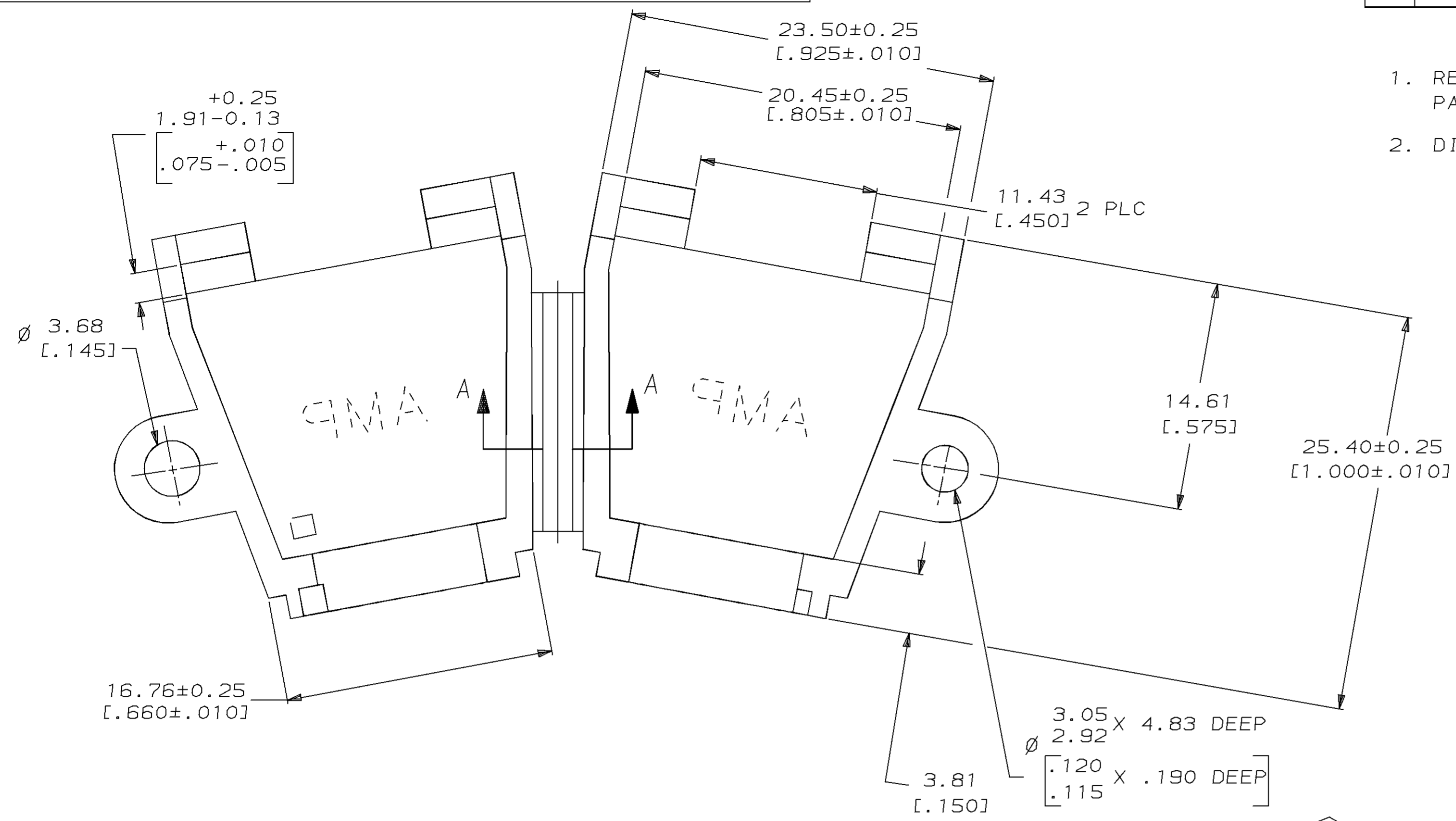


LOC	DIST	P	F	ZONE	LTR	REVISIONS		DATE	APPD
CM	52				L	REV & REDWN PER EC 0730-0072-94		6-25-93	K5

- REQUIRES A #6 PAN HEAD TYPE "B" SELF TAPPING PAN HEAD SCREW, 9.53 [.375] LONG.
- DIMENSIONS IN BRACKETS ARE IN INCHES.



METRIC

THIS DRAWING IS A CONTROLLED DOCUMENT FOR AMP INCORPORATED. IT IS SUBJECT TO CHANGE AND THE CONTROLLING ENGINEERING ORGANIZATION SHOULD BE CONTACTED FOR THE LATEST REVISION.

COLOR	PART NO
BLACK	1-350374-9
BRICK RED	350374-1

DO NOT SCALE PRINT. UNLESS SPECIFIED DIMENSIONS IN mm [INCHES] TOLERANCES ON : 2 PLC DEC ± 0.13 [.005] 3 PLC DEC ± - ANGLES ± -	DR 6-28-93 K. SALMON CHK 6-28-93 R. SWING APPD - W. LONG APPD - W. LONG PRODUCT SPEC -	AMP AMP Incorporated Harrisburg, PA 17105-3608	
MATERIAL NYLON	FINISH COLOR, SEE TABLE	NAME STRAIN RELIEF, HINGED, 12 POSITION	
APPLICATION SPEC -	WEIGHT -	SIZE C 00779	DRAWING NO G=350374
		SCALE 4:1	SHEET 1 OF 1

单击下面可查看定价，库存，交付和生命周期等信息

[>>TE Connectivity\(泰科\)](#)