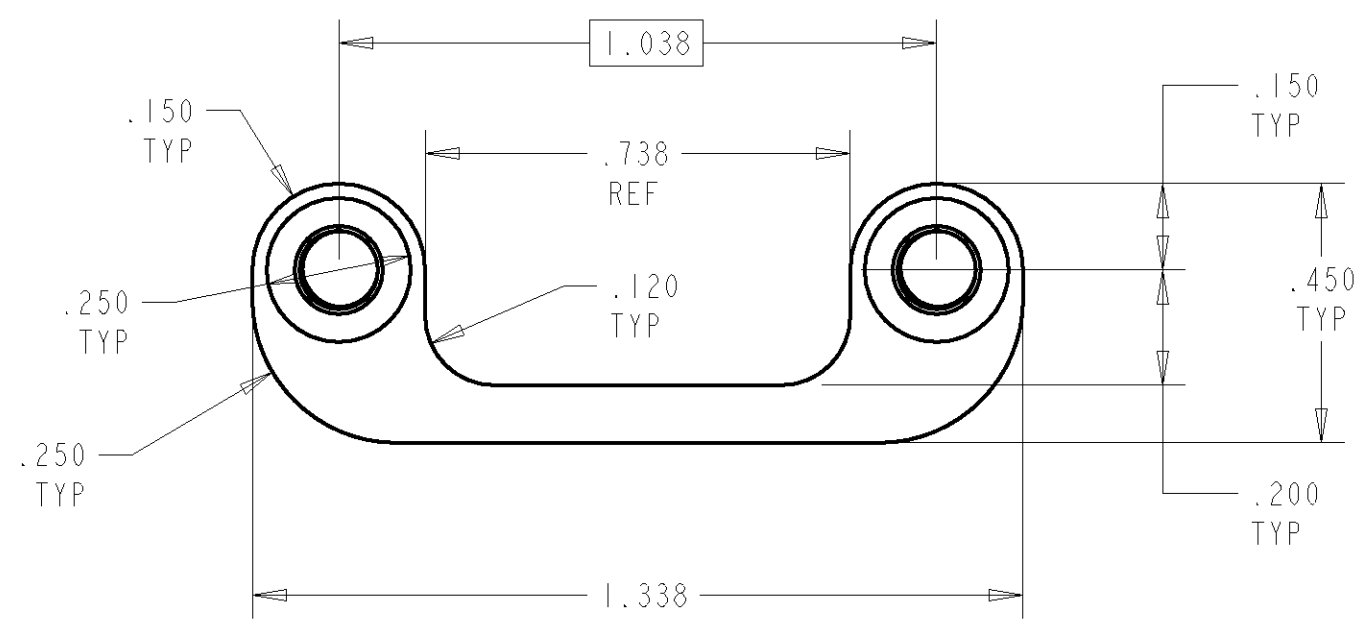
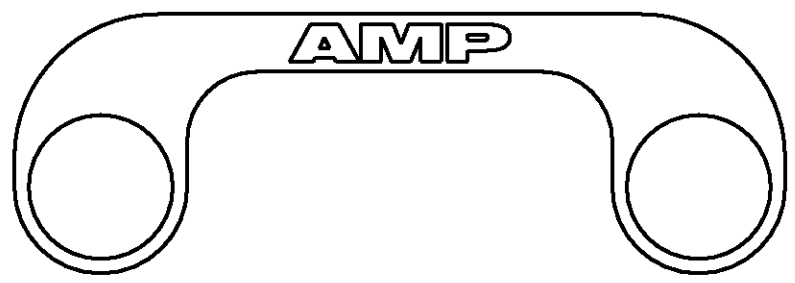
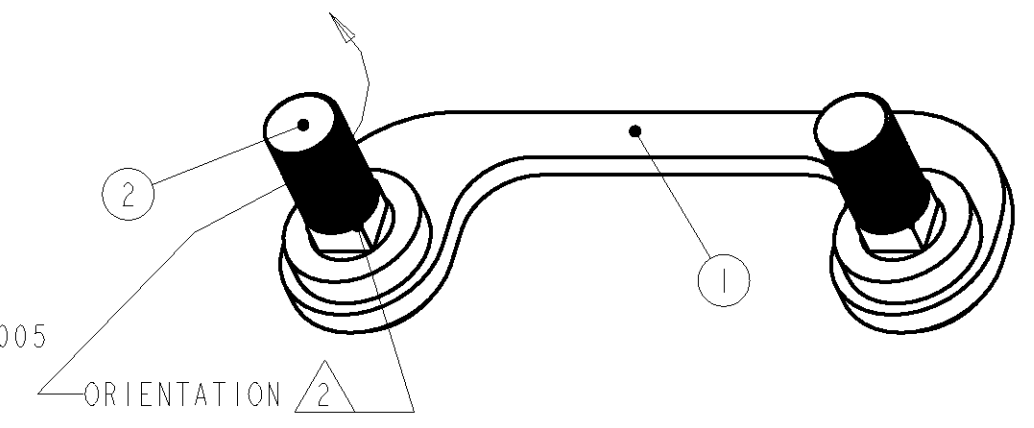
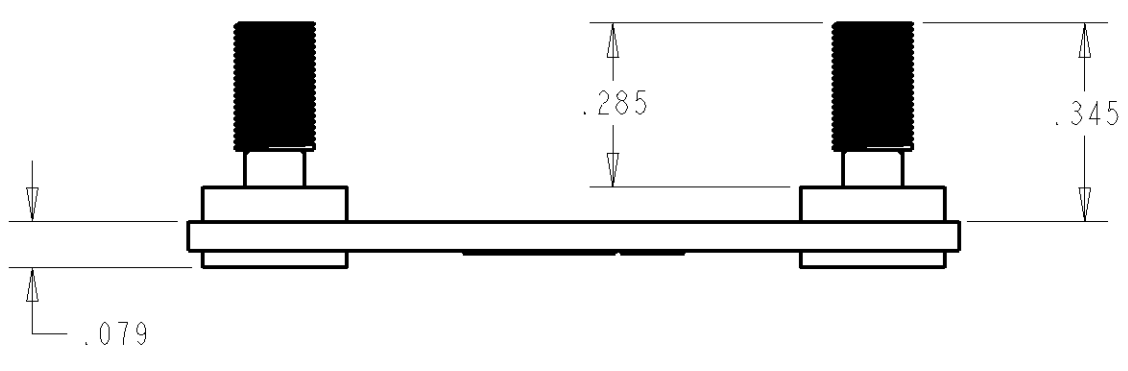


THIS DRAWING IS UNPUBLISHED. RELEASED FOR PUBLICATION .19 .
 © COPYRIGHT 19 BY AMP INCORPORATED. ALL RIGHTS RESERVED.

LOC	DIST	REVISIONS			
P	LTR	DESCRIPTION	DATE	DWN	APVD
AD	12	0	RELEASED	30OCT97	MKI JS



- ① MATERIAL: BRIDGE; NYLON, COLOR; BLACK. STUD; BRASS-COPPER ALLOY.
- ② STUDS MAY BE RANDOMLY ORIENTED IN BRIDGE CAVITIES.



145313-1	145314-1	145312-1
② 6-32 STUD QTY 2	① BRIDGE QTY 1	PART NUMBER

THIS DRAWING IS A CONTROLLED DOCUMENT FOR AMP INCORPORATED. IT IS SUBJECT TO CHANGE AND THE CONTROLLING ENGINEERING ORGANIZATION SHOULD BE CONTACTED FOR THE LATEST REVISION.		DWN JAMES P. SCHOLZ 22APR97	AMP AMP Incorporated Harrisburg, PA 17105-3608	
DIMENSIONS: INCHES	TOLERANCES UNLESS OTHERWISE SPECIFIED:	CHK -	NAME BRIDGE ASSEMBLY RETENTION MODULE	
	0 PLC ±-	APVD -	PRODUCT SPEC -	
	1 PLC ±-	PRODUCT SPEC -	APPLICATION SPEC -	
	2 PLC ±-	APPLICATION SPEC -	WEIGHT -	
	3 PLC ±.010	WEIGHT -	SIZE A3	CAGE CODE 00779
	4 PLC ±-		DRAWING NO C=145312	RESTRICTED TO -
	ANGLES ±-		SCALE 3:1	SHEET 1
MATERIAL ①	FINISH -	CUSTOMER DRAWING		OF 1
				REV 0

单击下面可查看定价，库存，交付和生命周期等信息

[>>TE Connectivity\(泰科\)](#)