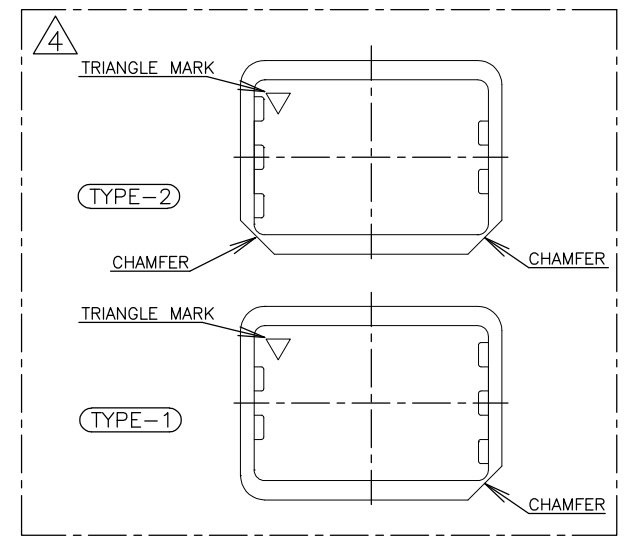
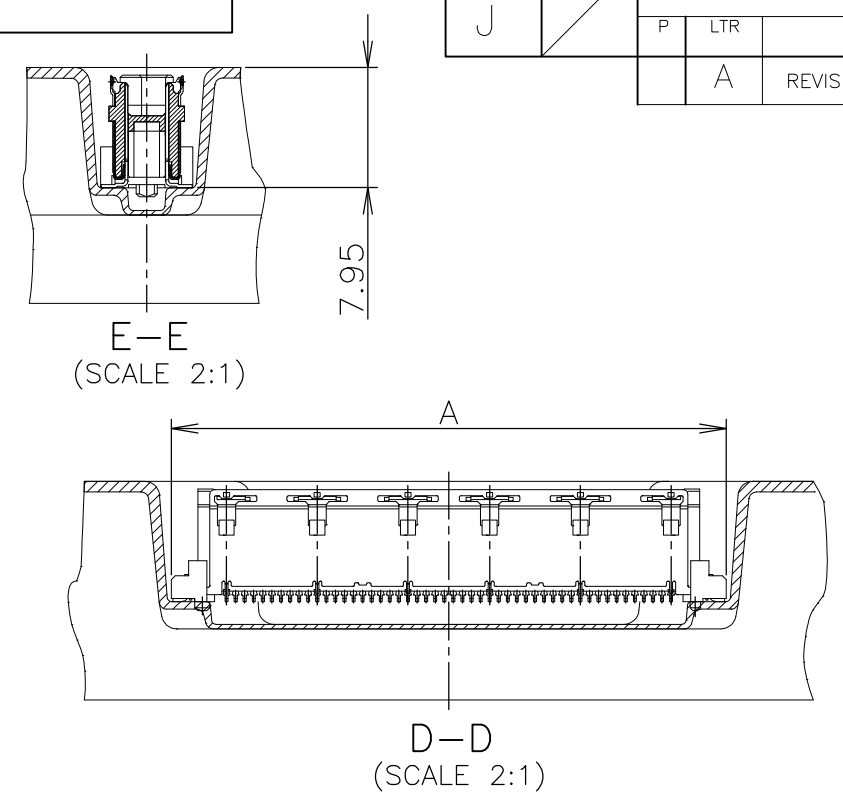
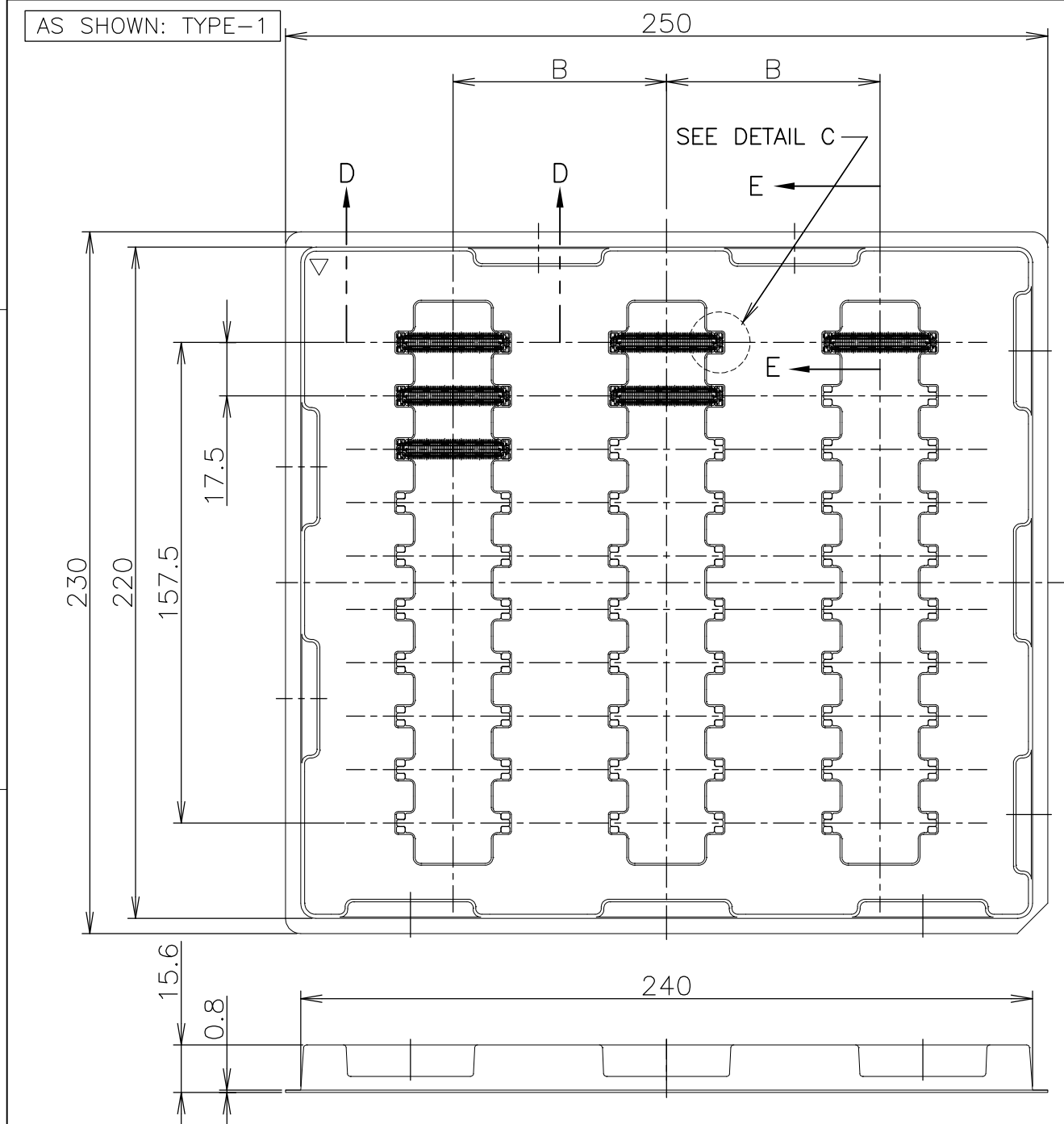


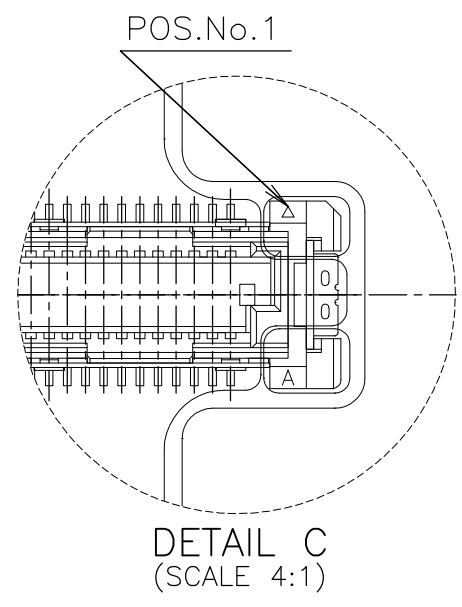
THIS DRAWING IS UNPUBLISHED. RELEASED FOR PUBLICATION OCT, 1995.
 © COPYRIGHT 1995 BY TYCO ELECTRONICS CORPORATION. ALL RIGHTS RESERVED.

LOC	DIST	REVISIONS					
J		P	LTR	DESCRIPTION	DATE	DWN	APVD
		A	REVISED	ECR-08-000339	01FEB08	T.T	T.F



SEALANT	TOOLING STATUS	ROW	QTY	B	A	POS.	TRAY P/N	PART NO.
SEALANT	AVAILABLE	3	30	70	54.7	160	3-912068-1	6-5316562-1
	AVAILABLE	↑	↑	↑	48.7	140	7-912063-3	6-↑-0
	NOT AVAILABLE	↓	↓	↓	42.7	120	7-912063-2	5-↓-9
	↑	↓	↓	↓	36.7	100	3-912068-0	5-↓-8
	↓	3	30	70	33.7	90	2-↑-9	5-↓-7
	↑	5	50	43	30.7	80	2-↑-8	5-↓-6
	↓	↑	↑	↑	27.7	70	2-↑-7	5-↓-5
	↑	↓	↓	↓	24.7	60	2-↑-6	5-↓-4
	↓	↓	↓	↓	21.7	50	2-↑-5	5-↓-3
	↑	↓	↓	↓	18.7	40	2-↑-4	5-↓-2
	NOT AVAILABLE	5	50	43	15.7	30	2-912068-3	5-5316562-1
	NON SEALANT	AVAILABLE	3	30	70	54.7	160	3-912068-1
AVAILABLE		↑	↑	↑	48.7	140	7-912063-3	1-↑-0
NOT AVAILABLE		↓	↓	↓	42.7	120	7-912063-2	↓-9
↑		↓	↓	↓	36.7	100	3-912068-0	↓-8
↓		3	30	70	33.7	90	2-↑-9	↓-7
↑		5	50	43	30.7	80	2-↑-8	↓-6
↓		↑	↑	↑	27.7	70	2-↑-7	↓-5
↑		↓	↓	↓	24.7	60	2-↑-6	↓-4
↓		↓	↓	↓	21.7	50	2-↑-5	↓-3
↑		↓	↓	↓	18.7	40	2-↑-4	↓-2
NOT AVAILABLE		5	50	43	15.7	30	2-912068-3	5316562-1

⚠ TRAY TYPE-1 AND TYPE-2 MUST BE
 PILED UP BY TURNS.
 (REFER TO PACKING SPECIFICATIONS)



GENERAL TOLERANCE
 一般公差

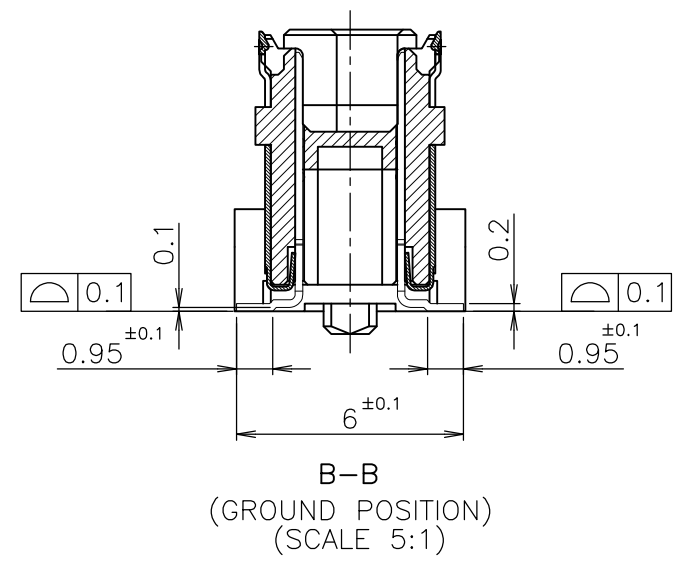
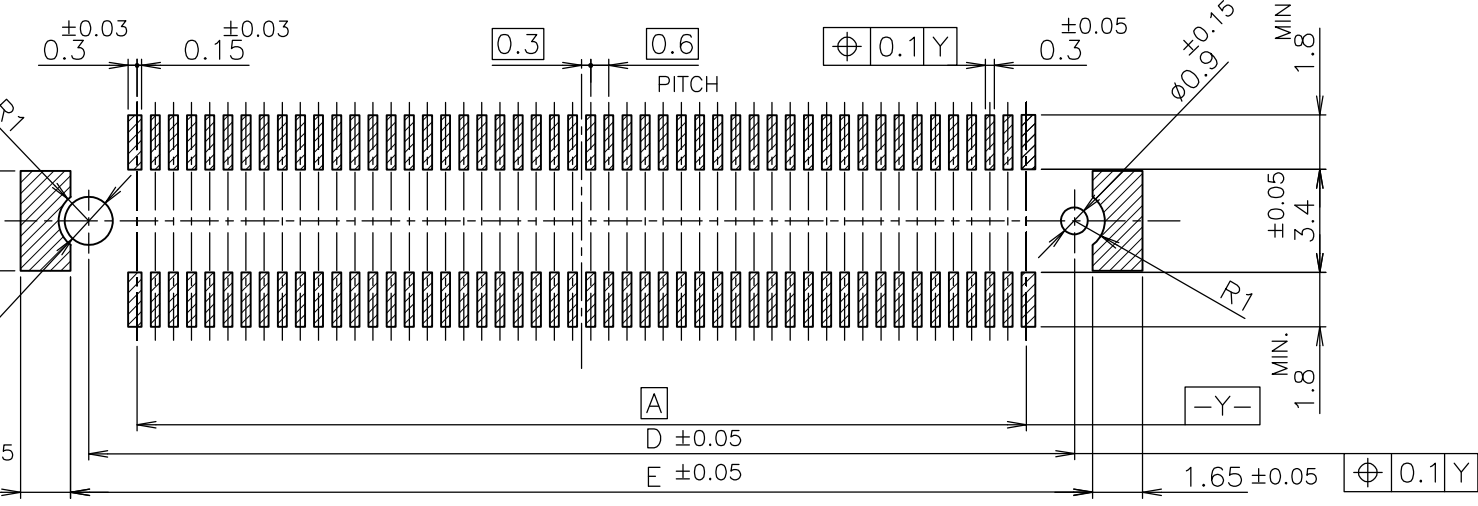
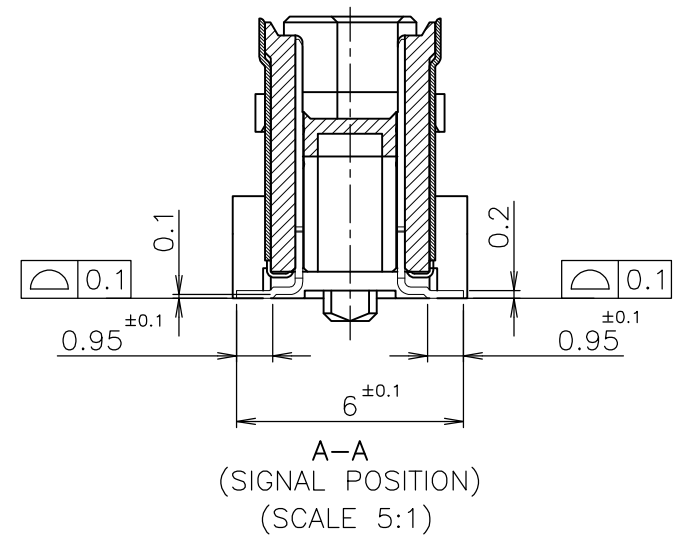
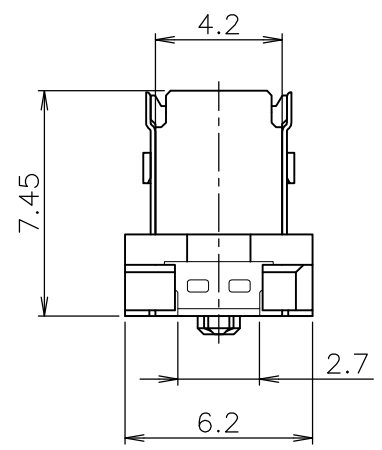
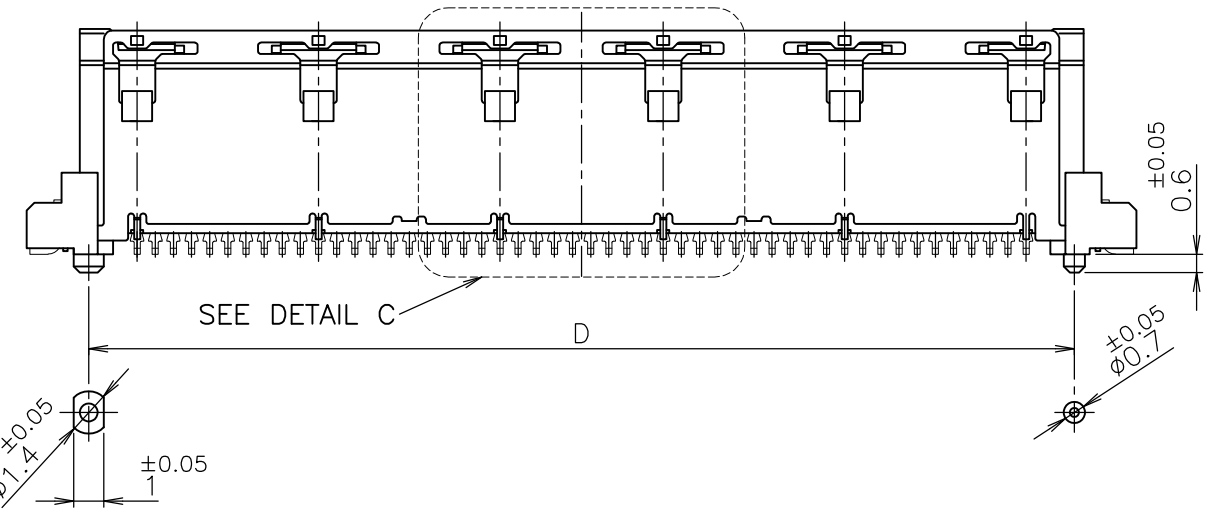
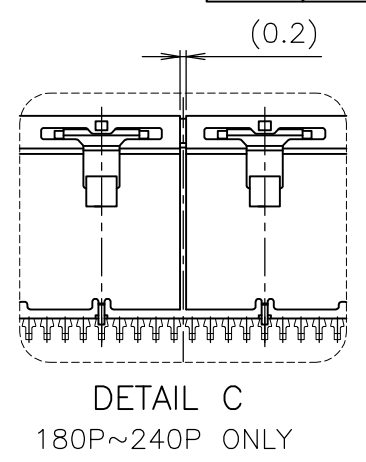
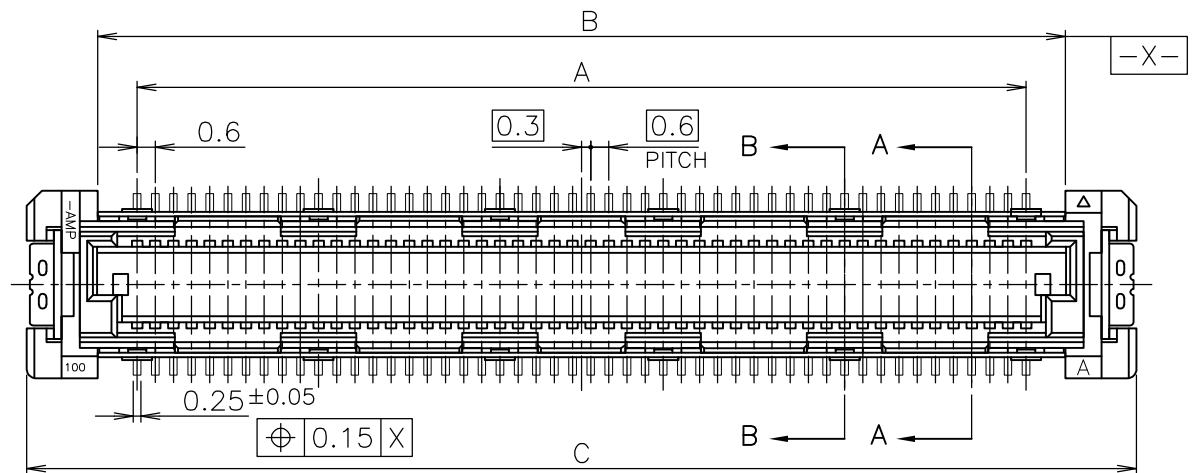
10 ≥	±0.2
30 ≥	>10: ±0.25
100 ≥	>30: ±0.3
ANGLES: ±3°	

THIS DRAWING IS A CONTROLLED DOCUMENT.

DWN HAWKING HE 20DEC04	Tyco Electronics Corporation Kawasaki, Japan
CHK STEVEN YAO 20DEC04	
APVD I.ENOMOTO 20DEC04	NAME 名称
PRODUCT SPEC 製品規格 108-60047	SOFT TRAY ASSY FH 0.6BTB CONNECTOR PLUG 8H W/G-PLATE
APPLICATION SPEC 取付適用規格 114-5255	SIZE A3
WEIGHT	CAGE CODE 00779
CUSTOMER DRAWING	DRAWING NO G-5316562
	RESTRICTED TO
	SCALE 尺度 1:2
	SHEET 1 OF 3
	REV A

THIS DRAWING IS UNPUBLISHED. RELEASED FOR PUBLICATION OCT, 1995.
 © COPYRIGHT 1995 BY TYCO ELECTRONICS CORPORATION. ALL RIGHTS RESERVED.

LOC	DIST	REVISIONS		
J		变更	DATE	DWN
P	LTR	DESCRIPTION		APVD
		SEE SHEET 1	-	-



AVAILABLE	51.8	50.6	54.7	50	47.4	160
AVAILABLE	45.8	44.6	48.7	44	41.4	140
NOT AVAILABLE	39.8	38.6	42.7	38	35.4	120
	33.8	32.6	36.7	32	29.4	100
	30.8	29.6	33.7	29	26.4	90
	27.8	26.6	30.7	26	23.4	80
	24.8	23.6	27.7	23	20.4	70
	21.8	20.6	24.7	20	17.4	60
	19.8	17.6	21.7	17	14.4	50
	15.8	14.6	18.7	14	11.4	40
NOT AVAILABLE	12.8	11.6	15.7	11	8.4	30
TOOLING STATUS	E	D	C	B	A	POS

REFERENCE P.C.BOARD LAYOUT

GENERAL TOLERANCE 一般公差

10 ≥ ±0.2
 30 ≥ >10: ±0.25
 100 ≥ >30: ±0.3
 ANGLES: ±3°

THIS DRAWING IS A CONTROLLED DOCUMENT.

DIMENSIONS: 单位: 耗 mm

TOLERANCES UNLESS OTHERWISE SPECIFIED: 一般公差

0 PLC ± -
 1 PLC ± -
 2 PLC ± -
 3 PLC ± -
 4 PLC ± -
 ANGLES ± -

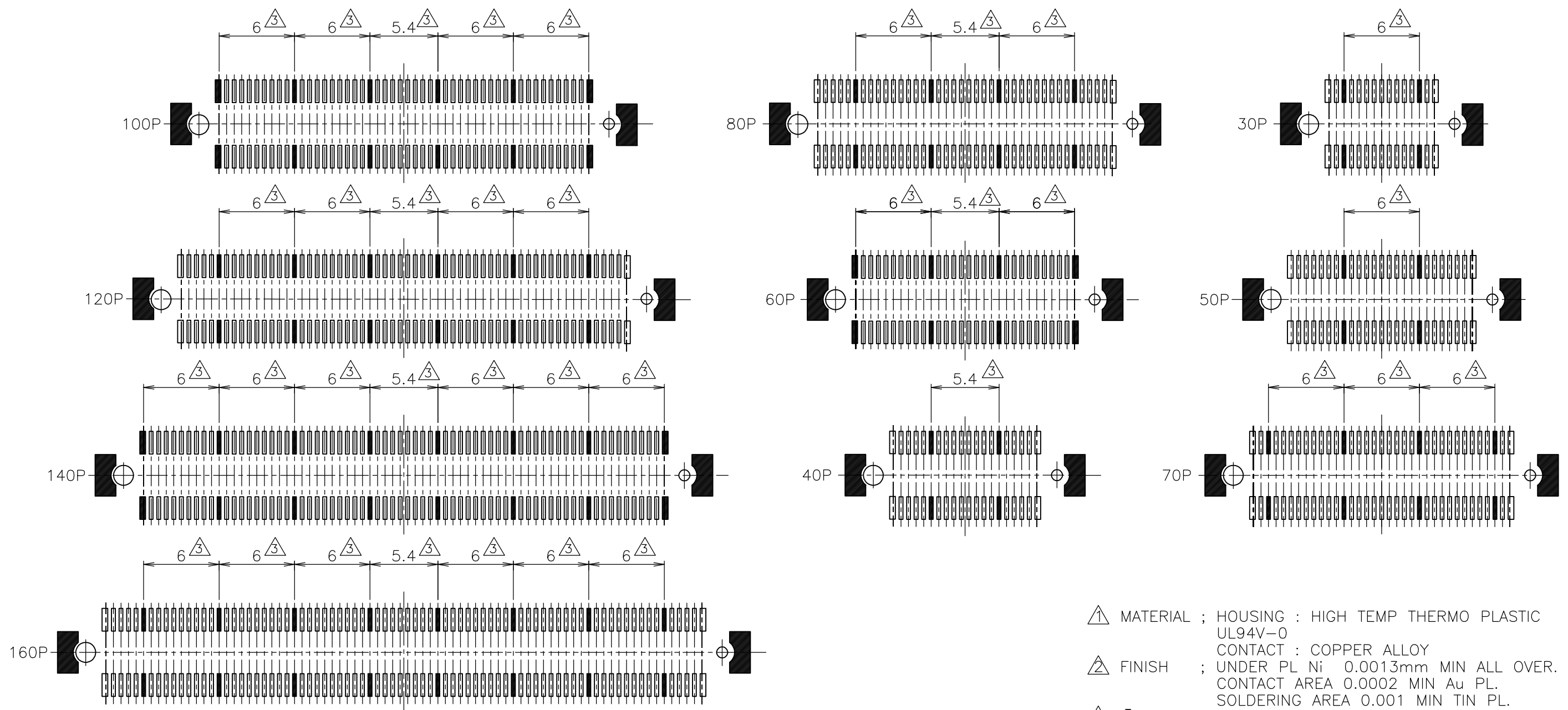
MATERIAL 材料

FINISH 仕上

DWN	Tyco Electronics Corporation Kawasaki, Japan	
CHK	NAME 名称	
APVD	SOFT TRAY ASSY FH 0.6BTB CONNECTOR PLUG 8H W/G-PLATE	
PRODUCT SPEC 製品規格	SIZE	CAGE CODE
APPLICATION SPEC 取付適用規格	A3	00779
WEIGHT	DRAWING NO 番号	RESTRICTED TO
CUSTOMER DRAWING	G-5316562	
SCALE 尺度 4:1	SHEET 2 OF 3	REV A

THIS DRAWING IS UNPUBLISHED. RELEASED FOR PUBLICATION OCT, 1995.
 © COPYRIGHT 1995 BY TYCO ELECTRONICS CORPORATION. ALL RIGHTS RESERVED.

LOC		DIST		REVISIONS			DATE	DWN	APVD
J				P	LTR	DESCRIPTION			
					-	SEE SHEET 1	-	-	-



- △ MATERIAL ; HOUSING : HIGH TEMP THERMO PLASTIC UL94V-0
CONTACT : COPPER ALLOY
- △ FINISH ; UNDER PL Ni 0.0013mm MIN ALL OVER.
CONTACT AREA 0.0002 MIN Au PL.
SOLDERING AREA 0.001 MIN TIN PL.
- △ THIS POSITION IS GROUND CIRCUIT.

GENERAL TOLERANCE
 一般公差
 10 ≥ : ±0.2
 30 ≥ >10 : ±0.25
 100 ≥ >30 : ±0.3
 ANGLES : ±3°

THIS DRAWING IS A CONTROLLED DOCUMENT.		DWN		Tyco Electronics Tyco Electronics Corporation Kawasaki, Japan	
DIMENSIONS: 単位: 耗 mm		TOLERANCES UNLESS OTHERWISE SPECIFIED: 一般公差		NAME 名称	
		0 PLC ±- 1 PLC ±- 2 PLC ±- 3 PLC ±- 4 PLC ±- ANGLES ±-		SOFT TRAY ASSY FH 0.6BTB CONNECTOR PLUG 8H W/G-PLATE	
MATERIAL 材料		FINISH 仕上		SIZE CAGE CODE DRAWING NO 番号	
△ 1		△ 2		A3 00779 G-5316562	
CUSTOMER DRAWING				RESTRICTED TO	
				SCALE 3:1 SHEET 3 OF 3 REV A	

单击下面可查看定价，库存，交付和生命周期等信息

[>>TE Connectivity\(泰科\)](#)