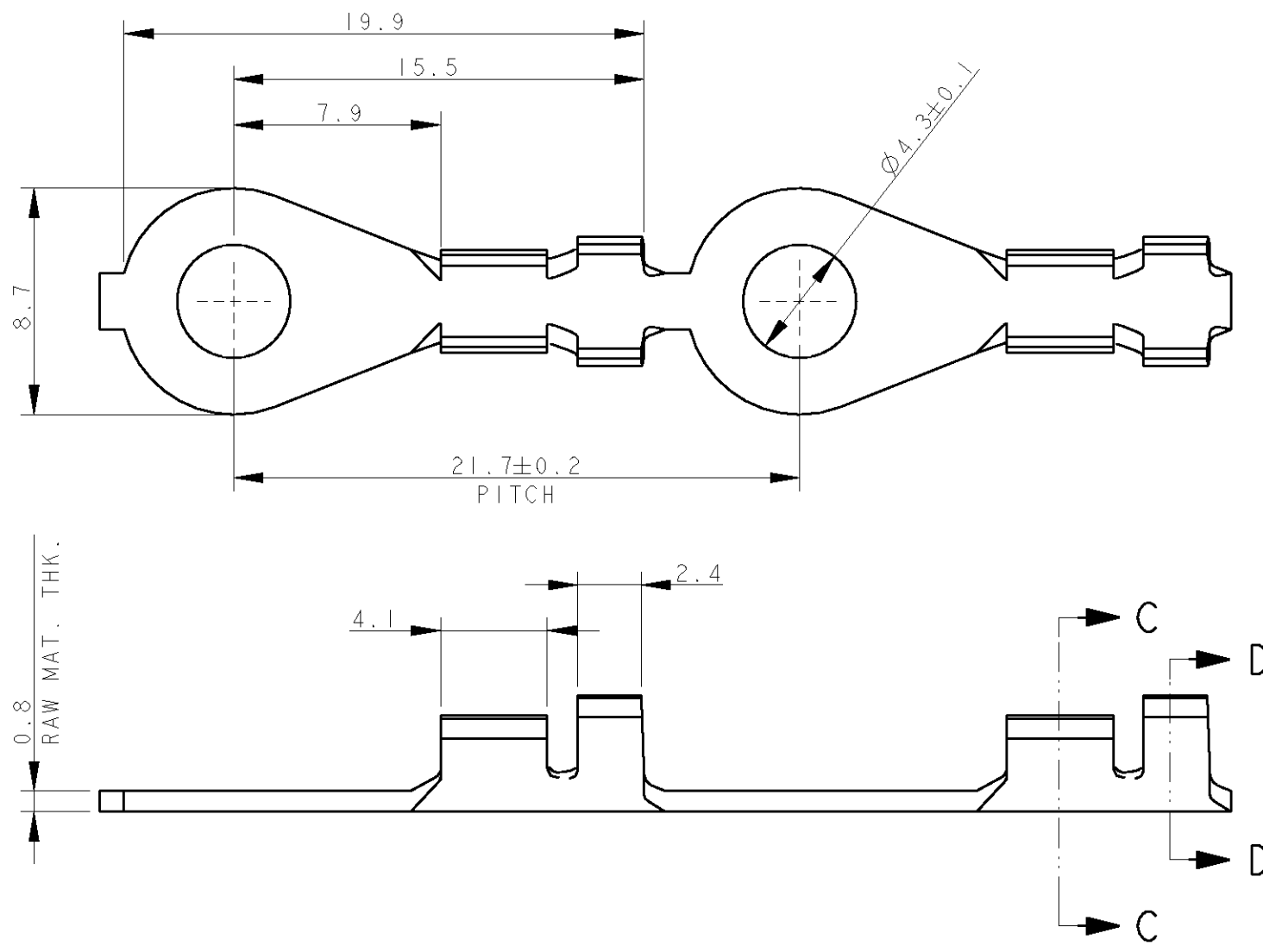


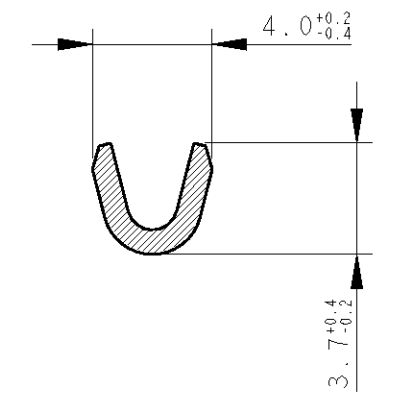
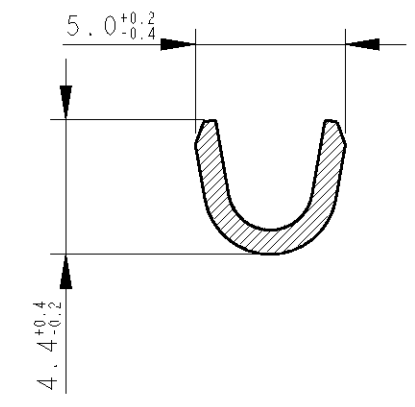
THIS DRAWING IS UNPUBLISHED. RELEASED FOR PUBLICATION 2003
 © COPYRIGHT 2003 BY TYCO ELECTRONICS CORPORATION. ALL RIGHTS RESERVED.

LOC	DIST	REVISIONS					
		P	LTR	DESCRIPTION	DATE	DWN	APVD
1	-		H	FIRST EMISSION	21JUN2005	HY	GT



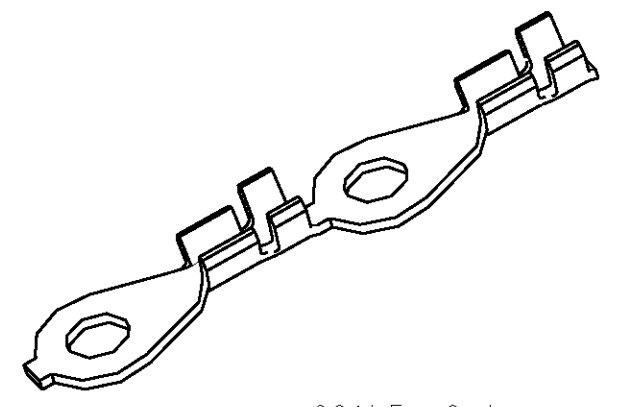
SECTION D-D

SECTION C-C



WIRE RANGE 0.50-1.00 SQ. MM
 INSULATION RANGE 2.5-3.5 MM DIA.

P/N 140523-0 AS SHOWN



SCALE 2:1

<small>THIS DRAWING IS A CONTROLLED DOCUMENT FOR TYCO ELECTRONICS CORPORATION IT IS SUBJECT TO CHANGE AND THE CONTROLLING ENGINEERING ORGANIZATION SHOULD BE CONTACTED FOR THE LATEST REVISION.</small>		DWN H. YAALI 21JUN2005 CHK G. TURCO APVD -		tyco Electronics		tyco Electronics AMP Italia S.p.A. C.so F.lli Cervi, 15 COLLEGNO (TO)	
DIMENSIONS: mm		TOLERANCES UNLESS OTHERWISE SPECIFIED: 0 PLC ± 1 PLC ±0.4 2 PLC ± 3 PLC ± 4 PLC ± ANGLES ±		PRODUCT SPEC - APPLICATION SPEC - WEIGHT -		NAME RING TONGUE	
MATERIAL BRASS FINISH -		CUSTOMER DRAWING		SIZE A3	CAGE CODE 00779	DRAWING NO C-140523	RESTRICTED TO -
SCALE 4:1				SHEET 1	OF 1	REV H	

单击下面可查看定价，库存，交付和生命周期等信息

[>>TE Connectivity\(泰科\)](#)