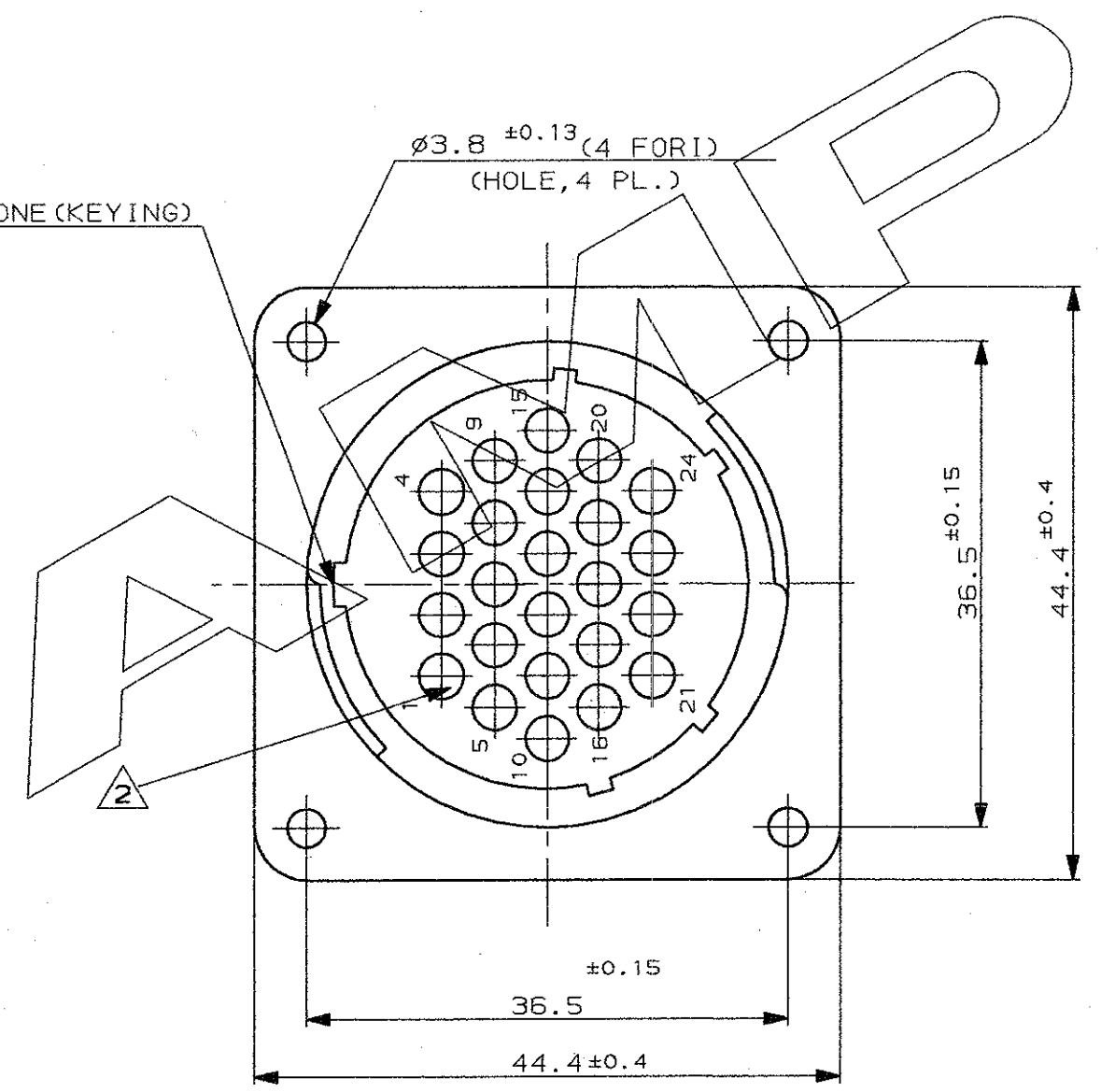


POLARIZZAZIONE (KEYING)



IL DISEGNO INDICA IL P.N. 183075-1
(P.N. 183075-1 AS SHOWN)

NOTE (NOTES)

- MATERIALE: PA 6-6 CARICATO VETRO UL RECOGNIZED, COLORE NERO
(MATERIAL: PA 6-6 G.F. FILLED UL RECOGNIZED, COLOR BLACK)
- OGNI CAVITA' E' IDENTIFICATA DAL NUMERO POSTO SIA SUL FRONTE CHE SUL RETRO DEL CONNETTORE.
(CONTACT CAVITIES IDENTIFIED BY CHARACTERS)
(ON FRONT AND REAR FACES OF CONNECTOR.)
- QUESTO CONNETTORE E' APPROVATO CON FILE N.E28476 E CERTIFICATO CON FILE N.LR7189A-259
(THIS CONNECTOR IS RECOGNIZED BY FILE N.E28476 AND CERTIFIED BY FILE N.LR7189A-259)

		CUSTOMER DRAWING FOR REFERENCE ONLY		DISEGNO PER CLIENTE SOLO PER RIFERIMENTO	
		THIS DRAWING IS UNPUBLISHED		RELEASE FOR PUBLICATION 1991	
		© COPYRIGHT 1991 BY AMP INCORPORATED, HARRISBURG, PA. ALL INTERNATIONAL RIGHTS RESERVED. AMP PRODUCTS MAY BE COVERED BY U.S. AND FOREIGN PATENT AND/OR PATENT PENDING			
		TOLLERANZE, SE NON DIVERSAMENTE SPECIFICATO (TOLERANCES, UNLESS OTHERWISE SPECIFIED)		DIAM. ISOLANTE (INS. DIA. RANGE)	
		± 0.3		RANGO FILO (WIRE RANGE)	
		ANGOLI (ANGLES)		SCALA (SCALE)	
		± 2°		-	
		DIS. (DR.) 18 MAR. '94		DESCRIZIONE (DESCRIPTION)	
		C.P.I.A.		C.P.C. SQUARE FLANGE SIZE 23-24 STD SEX SERIES 1	
A2-REVISED		ET00 0123-99		G.S. 01/94	
A		RELEASED FOR PROD. ET00-0228-94		C.P. 17-11 '94	
REV. (REV. NO.)		REVISIONI (REVISION RECORD)		DIS. DATA (DR. DATE)	
		G.S. 01/94		CONT. (CHK.) 18 MAR. '94	
		C.P. 17-11 '94		APP. (APP.)	
		DIS. DATA (DR. DATE)		LOC. SIZE NUMERO (DWG NO)	
		R.CANTORE		I A3 C-183075	
				REV. FOGLIO (SHEET)	
				A2 1 DI (OF) 1	

DISTRIBUZIONE
PRINT DIST. 3

单击下面可查看定价，库存，交付和生命周期等信息

[>>TE Connectivity\(泰科\)](#)