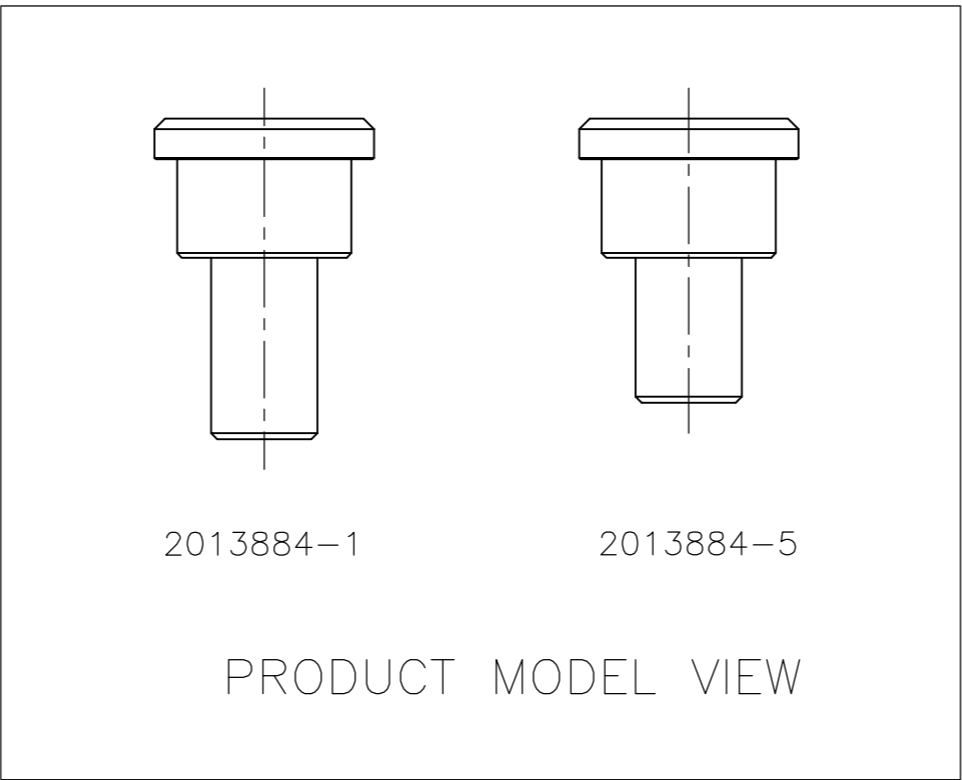
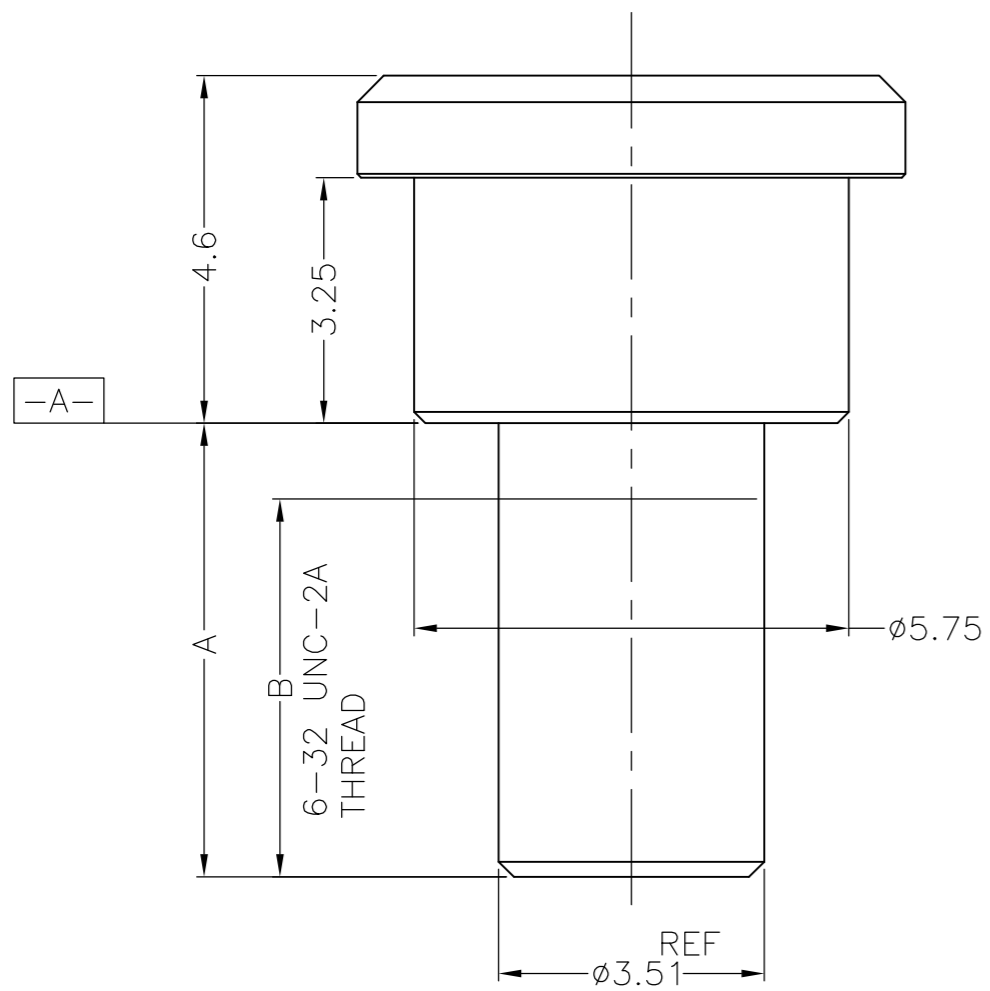
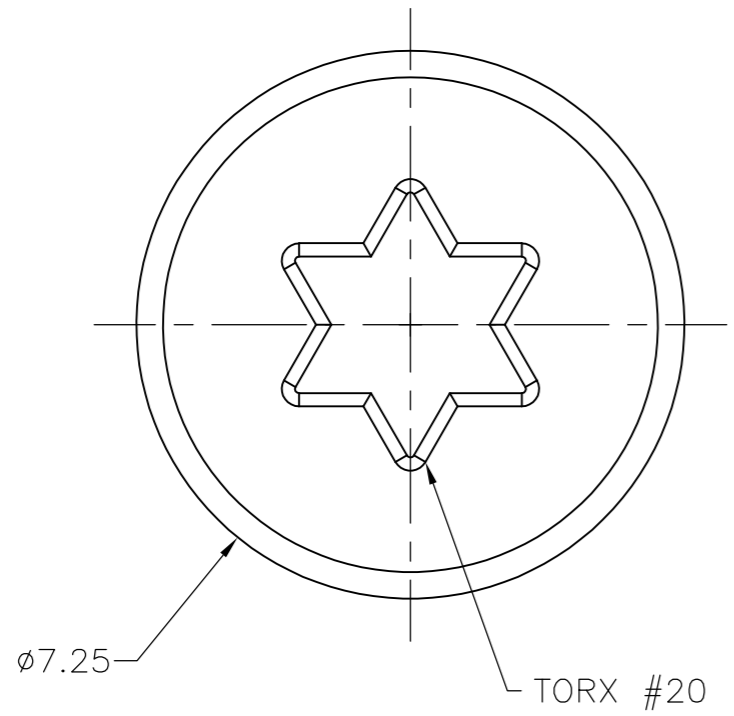


THIS DRAWING IS UNPUBLISHED. RELEASED FOR PUBLICATION - . - .
 © COPYRIGHT BY TYCO ELECTRONICS CORPORATION. ALL RIGHTS RESERVED.

LOC	DIST	REVISIONS					
		P	LTR	DESCRIPTION	DATE	DWN	APVD
J	-	A1	REVISED		04JUN'13	J.C	T.N



- 1. MATERIAL: STEEL
FINISH: Ni PLATING
- 2. APPLICABLE ILM ASSEMBLY P/N: 2013882 SERIES

2013884-1 AS SHOWN

3.8	4.8	1.1	Ni PLATING	2013884-5
5	6	1.2	Ni PLATING	2013884-1
DIM B	DIM A	WEIGHT(g)	FINISH	PART NO.

THIS DRAWING IS A CONTROLLED DOCUMENT.		DWN J.MIZUSHIMA 03JUL2009	Tyco Electronics Corporation Kawasaki, Japan	
DIMENSIONS: 単位: 純 mm		CHK H.TAGUCHI 03JUL2009	NAME T.NAKASHIMA	
TOLERANCES UNLESS OTHERWISE SPECIFIED: 一般公差		APVD T.NAKASHIMA 03JUL2009	PRODUCT SPEC 製品規格 108-78586	
0-PLC ± ± ± 0.3 1-PLC ± ± ± ± 3° 2-PLC ± ± ± ± 3° 3-PLC ± ± ± ± ± 4-PLC ± ± ± ± ± ANGLES ± ± ± ± ± MATERIAL 材料 FINISH 仕上		APPLICATION SPEC 取付適用規格 114-5444	SIZE A2	CAGE CODE 00779
WEIGHT SEE TABLE		DRAWING NO C=2013884	RESTRICTED TO -	
CUSTOMER DRAWING		SCALE 10:1	SHEET 1 OF 1	REV A1

单击下面可查看定价，库存，交付和生命周期等信息

[>>TE Connectivity\(泰科\)](#)