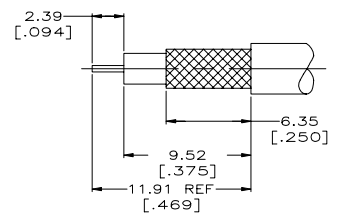
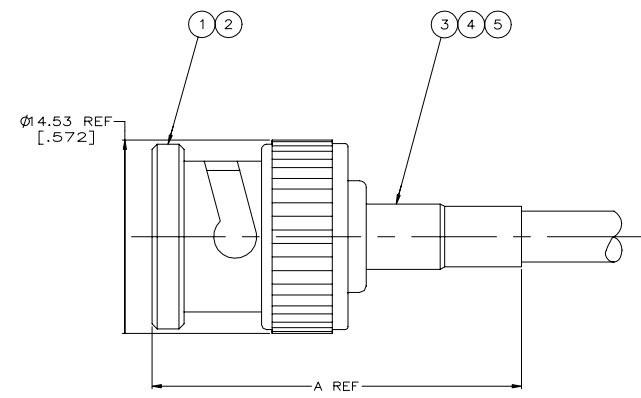


REVISIONS			
P LTR	DESCRIPTION	DATE	BY
AVS	REVISED PER ECN-21-102997	28APR2021	RZ WK



RECOMMENDED STRIP LENGTH

- 1. USE INSTRUCTION SHEET 408-9088
- △ SPECIAL USE OF PRO-CRIMPER HAND TOOL AND DIE, USE RG-59 SQUARE CRIMP ON THE CENTER CONTACT AND RG-58 ROUND CRIMP ON THE FERRULE
- △ SEE SEPARATE RESTRICTED CUSTOMER DRAWING WITH THIS PART NUMBER

[OBSOLETE]	RG-59 TYPE,C,C=.031 DIA,CAROL COLUMBIA,C1103	27.69	1.090	.044	.240	354940-1	58536-1	-	-	9-50428-0	1-221182-0	221184-2	9-221185-4
[OBSOLETE]	RG-179/U,179A/U,179B/U,187/U,187A/U	28.96	1.140	.044	.104/.170	354940-1	318451-2	227194-2	222001-4	9-328666-0	1-221182-2	221184-3	9-221185-3
[OBSOLETE]	RG-6/U,6A/U	37.85	1.490	.044	.330	354940-1	58538-1	-	-	9-51713-1	1-221182-0	221184-5	9-221185-2
[OBSOLETE]	RG-59/U,59A/U,59B/U	27.69	1.090	.044	.240	354940-1	58536-1	-	-	9-50428-0	221182-2	221184-2	9-221185-1
[OBSOLETE]	BELDEN 9248	27.69	1.090	.044	.265	354940-1	58536-1	-	-	9-50427-0	221182-8	221184-1	9-221185-0
	BELDEN 643948	29.72	1.170	.044	.240	354940-1	58435-1	-	-	9-221132-0	1-221182-0	221184-8	3-221185-6
[OBSOLETE]	BELDEN 633938	27.69	1.090	.044	.265	354940-1	58536-1	-	-	9-50428-0	221182-8	221184-1	3-221185-5
	C&M 17189	28.96	1.140	.044	.104/.170	354940-1	318451-2	414932-2	-	9-328666-0	1-221182-6	221184-3	3-221185-4
[OBSOLETE]	BELDEN 88281	27.69	1.090	.044	.330	354940-1	58538-1	-	-	9-221132-2	1-221182-0	221184-1	3-221185-3
	COMSCOPE F59 HEC-2	28.96	1.140	.044	.265	354940-1	58536-1	-	-	9-50427-0	1-221182-0	221184-2	3-221185-1
[OBSOLETE]	△ COMM/SCOPE S59HEC	-	-	-	-	-	-	-	-	-	-	-	3-221185-0
	MADISON 9292, 9296 OR MONTROSE 8686, 8687	28.96	1.140	.044	.265	354940-1	58536-1	-	-	9-50427-0	221182-2	221184-6	2-221185-9
[OBSOLETE]	△ RG-59 TYPE,C,C=.031 DIA,CAROL COLUMBIA,C1103	27.69	1.090	.044	.240	354940-1	58536-1	-	-	9-50428-0	1-221182-0	221184-2	2-221185-7
	BELDEN 8281, 9231	31.75	1.250	.044	.330	354940-1	58538-1	-	-	9-50427-2	1-221182-0	221184-4	2-221185-6
[OBSOLETE]	△ MADISON 9292, 9296 OR MONTROSE 8686, 8687	28.96	1.140	-	-	58433-1	58435-1	-	-	9-50427-1	221182-2	221184-7	2-221185-5
[OBSOLETE]	C&M CABLE 25785	28.96	1.140	-	-	354940-1	58304-4	-	-	3-328666-6	221182-4	221184-6	2-221185-4
	MONTROSE CBL8196	28.96	1.140	.044	NOT ROUND	354940-1	58174-1	-	-	9-329461-2	221182-2	221184-3	2-221185-3
[OBSOLETE]	ERICSSON T2C	28.96	1.140	-	-	354940-1	58304-3	-	-	414506-3	1-221182-2	221184-3	2-221185-2
[OBSOLETE]	CUSTOM CABLE (JOD=.105, DOD=.062, COD=.015)	28.96	1.140	.044	.104/.170	354940-1	318451-2	227194-2	222001-4	9-328666-0	221182-6	221184-3	2-221185-0
[SUPERSEDED BY 221185-5]	GEPCO VP6000	30.20	1.189	-	30.20 [1.189]	354940-1	220189-7	-	-	9-221132-2	1-221182-0	221184-4	1-221185-9
	AT&T 735A	28.96	1.140	.044	NOT ROUND	354940-1	58174-1	-	-	9-328666-2	221182-6	221184-3	1-221185-8
[OBSOLETE]	RG-6 TYPE	37.85	1.490	-	-	354940-1	220189-7	-	-	9-51713-1	1-221182-6	221184-5	1-221185-7
[SUPERSEDED BY 221185-1]	MADISON CABLE TYPE CL2P WITH 18 AWG CENTER CONDUCTOR	27.69	1.090	-	-	354940-1	58086-1	-	-	9-50427-0	221182-8	221184-1	1-221185-6
	BELDEN 1164A, 1167A	28.45	1.120	.044	NOT ROUND	354940-1	58174-1	-	-	9-329461-0	1-221182-6	221184-3	1-221185-5
[OBSOLETE]	AT&T KS 19224 L2 CABLE	28.96	1.140	-	-	354940-1	58174-1	227194-2	222001-4	9-328666-2	1-221182-2	221184-3	1-221185-4
[OBSOLETE]	ASTRO 20-435-B OR 20-405-E	28.96	1.140	.044	NOT ROUND	354940-1	58174-1	227194-2	222001-4	9-329461-0	1-221182-2	221184-3	1-221185-2
[OBSOLETE]	RG-59/U,59A/U,59B/U	27.69	1.090	.044	.240	354940-1	58536-1	-	-	9-50428-0	221182-2	221184-2	1-221185-1
	BELDEN 9145	27.69	1.090	.044	.240	354940-1	58536-1	-	-	9-50428-1	1-221182-0	221184-2	1-221185-0
	RG-59 TYPE,C,C=.031 DIA,CAROL COLUMBIA,C1103	27.69	1.090	.044	.240	354940-1	58536-1	-	-	9-50428-0	1-221182-0	221184-2	221185-9
	RG-179/U,179A/U,179B/U,187/U,187A/U	28.96	1.140	.044	.104/.170	354940-1	318451-2	227194-2	222001-4	9-328666-0	1-221182-2	221184-3	221185-8
[OBSOLETE]	RG-6/U,6A/U	37.85	1.490	.044	.330	354940-1	58538-1	-	-	9-51713-1	1-221182-0	221184-5	221185-7
[OBSOLETE]	TIMES RG-59/U DOUBLE BRAID WITH .270 O.D.	27.69	1.090	-	-	354940-1	58086-1	-	-	9-50427-0	221182-2	221184-2	221185-6
	BELDEN 8281, 8281F, 9231 AND GEPCO VP6000	31.75	1.250	.044	.330	354940-1	58538-1	-	-	9-221132-2	1-221182-0	221184-4	221185-5
[OBSOLETE]	BELDEN 8218	28.45	1.120	.044	NOT ROUND	354940-1	58174-1	-	-	9-329461-0	221182-6	221184-3	221185-3
	RG-59/U,59A/U,59B/U	27.69	1.090	.044	.240	354940-1	58536-1	-	-	9-50428-0	221182-2	221184-2	221185-2
	BELDEN 9248	27.69	1.090	.044	.265	354940-1	58536-1	-	-	9-50427-0	221182-8	221184-1	221185-1

FOR USE WITH CABLE A CRIMP CONTACT (SQUARED) CRIMP FERRULE (DIA) CRIMP TOOL DIE SET ⑤ PLASTIC TUBING QTY=1 ④ TUBING QTY=1 ③ FERRULE QTY=1 ② CONTACT QTY=1 ① PLUG ASSY QTY=1 PART NUMBER

THIS DRAWING IS A CONTROLLED DOCUMENT.

DATE: 1-17-90
 BY: D. WERNER
 DATE: 2-15-90
 BY: D. LAMAN
 DATE: 2-16-90
 BY: M. PHILLIPS

TE Connectivity
 PLUG, 75 Ohm, COMMERCIAL BNC

108-12095

0.000000

A1 00779 © 221185

CUSTOMER DRAWING SCALE: 5:1 SHEET: 1 OF 1

单击下面可查看定价，库存，交付和生命周期等信息

[>>TE Connectivity\(泰科\)](#)