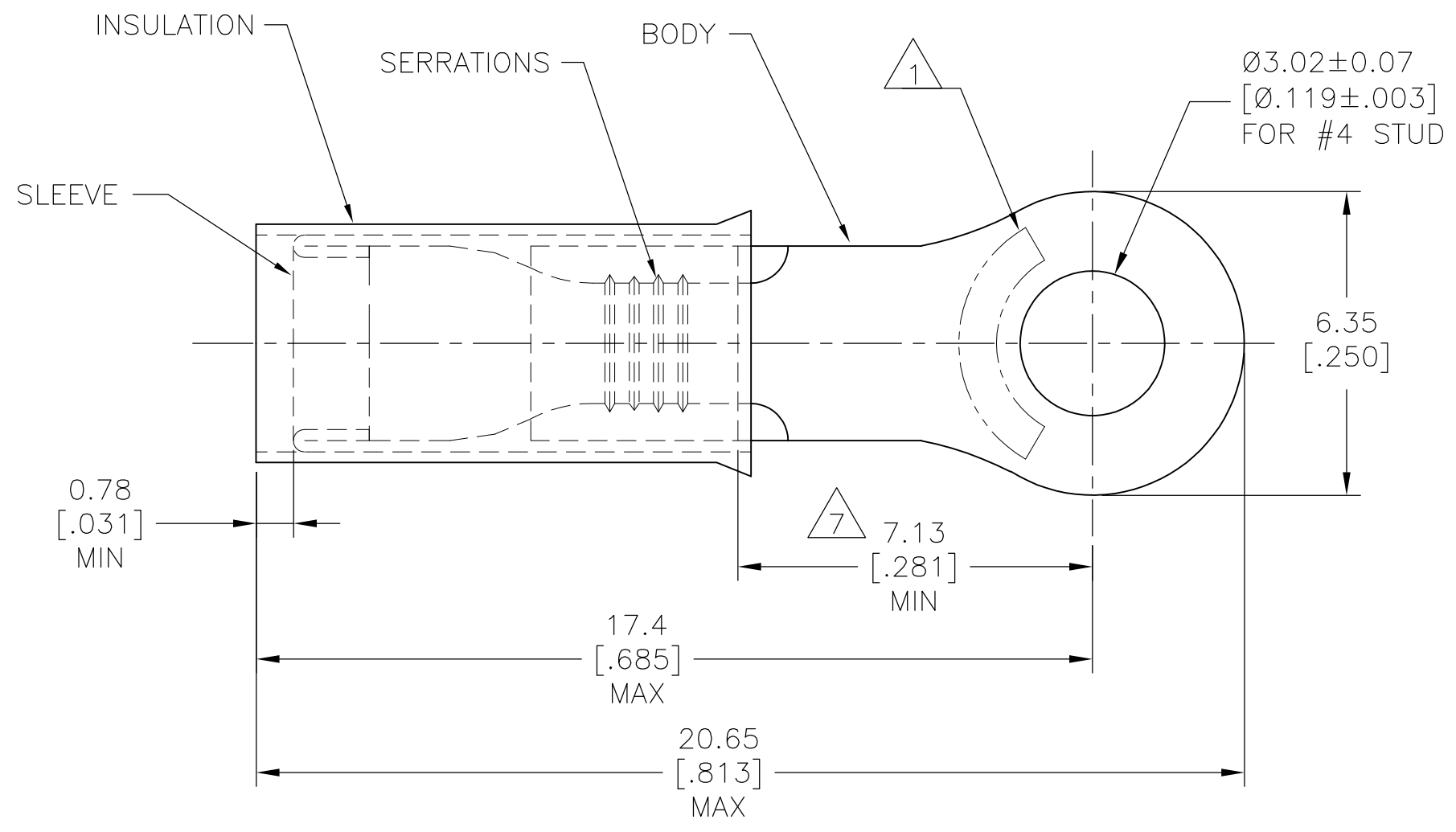


THIS DRAWING IS UNPUBLISHED. RELEASED FOR PUBLICATION
 © COPYRIGHT - By - ALL RIGHTS RESERVED.

REVISIONS				
P	LTR	DESCRIPTION	DATE	APVD
E3		REVISED PER ECR-16-018297	16JAN2017	BDA DR

AMP WIRE RANGE	Listed	LR7189 Certified
16-14 AWG SOLID OR STRANDED	16-14 AWG SOLID OR STRANDED	16-14 AWG SOLID OR STRANDED



- 1 STAMP AMP 16-14*, APPROX AS SHOWN.
- 2 TONGUE THICKNESS IS 0.78±0.05 [.031±.002]
- 3 FOR 2.66[.105]-3.81[.150] WIRE INSULATION DIA
- 4 MAX RECOMMENDED OPERATING TEMP IS 105°C[221°F].
- 5 300 VOLT MAX RATING.
- 6 WIRE CROSS SECTIONAL AREA RANGE 1.04-2.62mm [2,050-5,180 CIR MILS]
- 7 APPLIES FROM EDGE OF METAL WIRE BBL TO CENTER OF STUD HOLE.

1000	LOOSE PIECE	BODY & SLEEVE: COPPER PER ASTM B152 TIN PL. PER ASTM B-545 INSULATION: NYLON PER ASTM D4066, TYPE I COLOR: BLUE	323676
QTY	PACKAGING	MATERIAL / FINISH	PART NO

THIS DRAWING IS A CONTROLLED DOCUMENT.		DWN jr_ruth 01MAR10	TE Connectivity	
DIMENSIONS: mm [INCHES]		CHK T MICHELUTTI 01MAR10		
TOLERANCES UNLESS OTHERWISE SPECIFIED:		APVD T MICHELUTTI 01MAR10	NAME	
0 PLC ± -		PRODUCT SPEC		
1 PLC ± -		UL486A-B		
2 PLC ± -		APPLICATION SPEC		
3 PLC ± .008		114-2157		
4 PLC ± -		WEIGHT -		
ANGLES ± 1°		SIZE A3 CAGE CODE 00779 DRAWING NO C-323676 RESTRICTED TO -		
MATERIAL SEE TABLE		FINISH SEE TABLE		
		CUSTOMER DRAWING SCALE 8:1 SHEET 1 OF 1 REV E3		

单击下面可查看定价，库存，交付和生命周期等信息

[>>TE Connectivity\(泰科\)](#)