

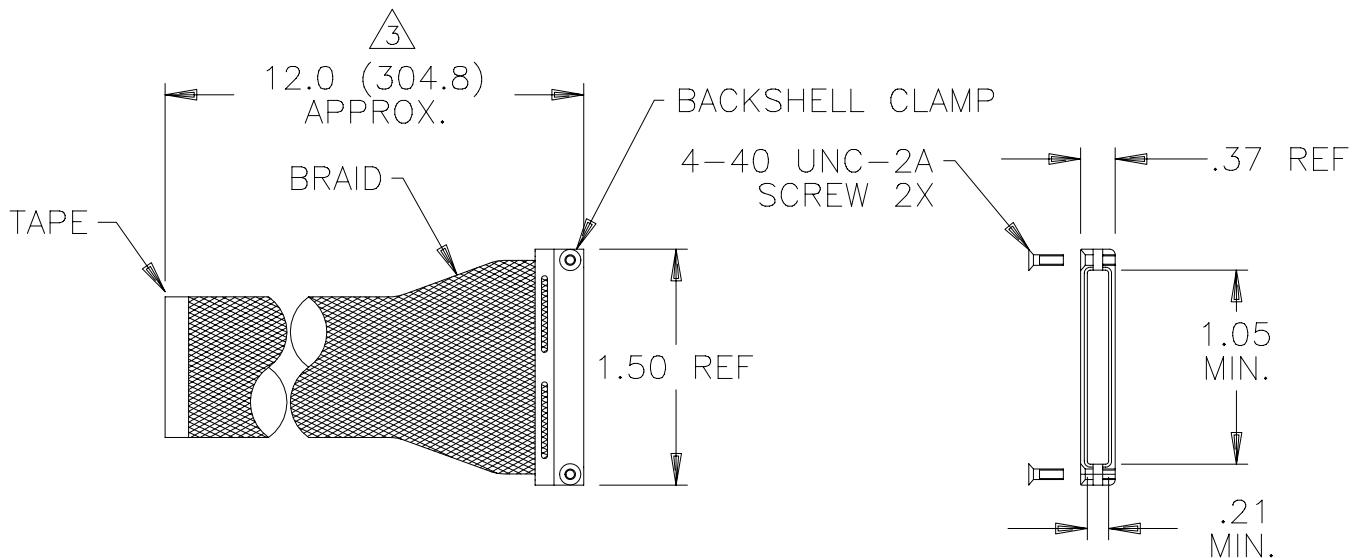
REVISIONS			
LTR	DESCRIPTION	DATE	APPROVED
C	REVISED PER DCR# T-31731	March/26/03	M.HIGGY

NOTES:

1. SCREWS ARE SHIPPED LOOSE.
2. MATERIAL: BACKSHELL – ALUMINUM ALLOY, CADMIUM PLATED  
BRAID – COPPER ALLOY, TIN PLATED  
SCREW – STAINLESS STEEL, PASSIVATED & CAD PLATED  
W/THREAD LOCK.



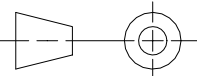
③ THE 12.0" APPROX. APPLIES TO THE BRAID IN THE "FLAT" AS SUPPLIED CONDITION.

4. SHIELDING EFFECTIVENESS IS LEVEL 1 PER C-6111 AND C-6115.



SPECIFICATION CONTROL DRAWING

If this document is printed it becomes uncontrolled.  
Check for the latest revision.

UNLESS OTHERWISE SPECIFIED DIMENSIONS ARE IN INCHES. METRIC DIMENSIONS ARE IN BRACKETS.	DRAWN ZS.ORBAN	DATE MARCH/24/03	  305 Constitution Drive Menlo Park, CA. USA 94025		
	CHECKED	DATE			
TOLERANCES: .XXX ± [ mm] .XX ±.03 [ mm] ANGLE	APPROVED M.HIGGY	DATE MARCH/24/03	TITLE BACKSHELL, 1 INCH EMX SUPPRESSING MTC SERIES		
	THIRD ANGLE PROJECTION				
	CAD NAME T31731.DWG	SIZE A	CODE IDENT. NO. 06090	DWG. NO. CHA-0276	REV C
	P.C.N. 492897	SCALE: NONE	DO NOT SCALE THIS DRAWING	SHEET 1 OF 1	

单击下面可查看定价，库存，交付和生命周期等信息

[>>TE Connectivity\(泰科\)](#)