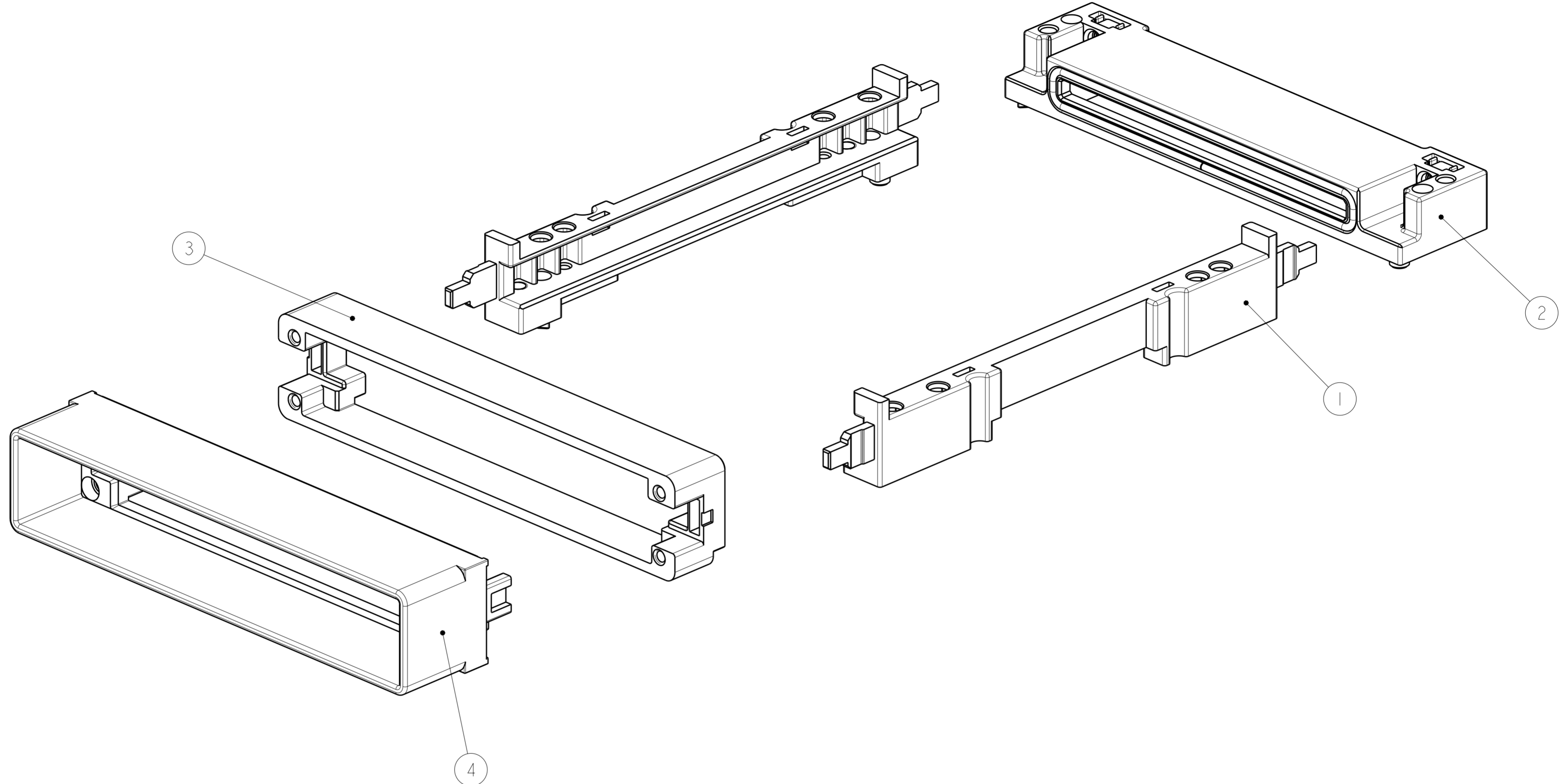



THIS DRAWING IS UNPUBLISHED. RELEASED FOR PUBLICATION 20
 © COPYRIGHT 20 BY - ALL RIGHTS RESERVED.

LOC	DIST	REVISIONS					
GP	00	P	LTR	DESCRIPTION	DATE	DWN	APVD
		A		RELEASED PER ECO-13-005370	01APR2013	CJV	MRS
		AI		REVISED PER ECO-19-001697	18FEB2019	IT	SH

I. BULK PACKED



1	2057626-1	EXTERNAL BRACKET ASSEMBLY	4
1	2057928-3	BACKER PLATE ASSEMBLY	3
1	2057631-1	CONNECTOR COVER ASSEMBLY	2
2	2057592-2	GUIDE RAIL	1
-1	PART NUMBER	DESCRIPTION	ITEM NO

THIS DRAWING IS A CONTROLLED DOCUMENT. DIMENSIONING AND TOLERANCING PER ASME Y14.5M-2009		DWN B. MATTHEWS 03JAN2013	 TE Connectivity NAME HARDWARE KIT, CFP, NO HEATSINK
DIMENSIONS: mm		CHK M. SCHMITT 03JAN2013	
TOLERANCES UNLESS OTHERWISE SPECIFIED:		APVD M. SCHMITT 03JAN2013	
0 PLC ± 1 PLC ± 2 PLC ± 3 PLC ± 4 PLC ± ANGLES ± FINISH		PRODUCT SPEC 108-2399 APPLICATION SPEC 114-13263 WEIGHT -	
MATERIAL	-	CUSTOMER DRAWING	SIZE A200779 CAGE CODE C-2227675 DRAWING NO G-2227675 RESTRICTED TO SCALE 2:1 SHEET 1 OF 1 REV AI

单击下面可查看定价，库存，交付和生命周期等信息

[>>TE Connectivity\(泰科\)](#)