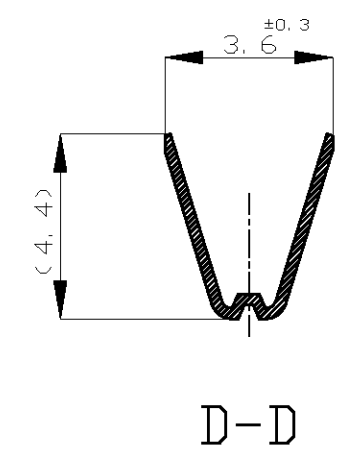
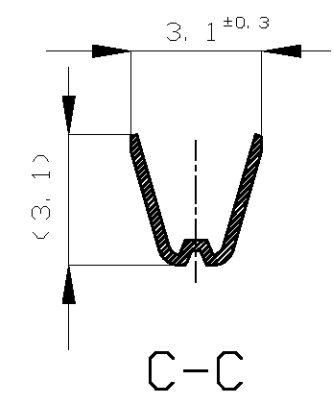
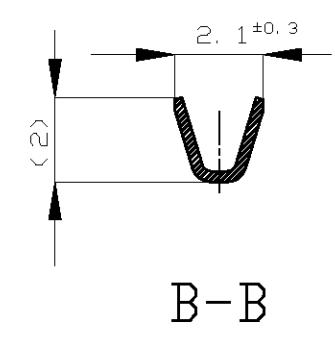
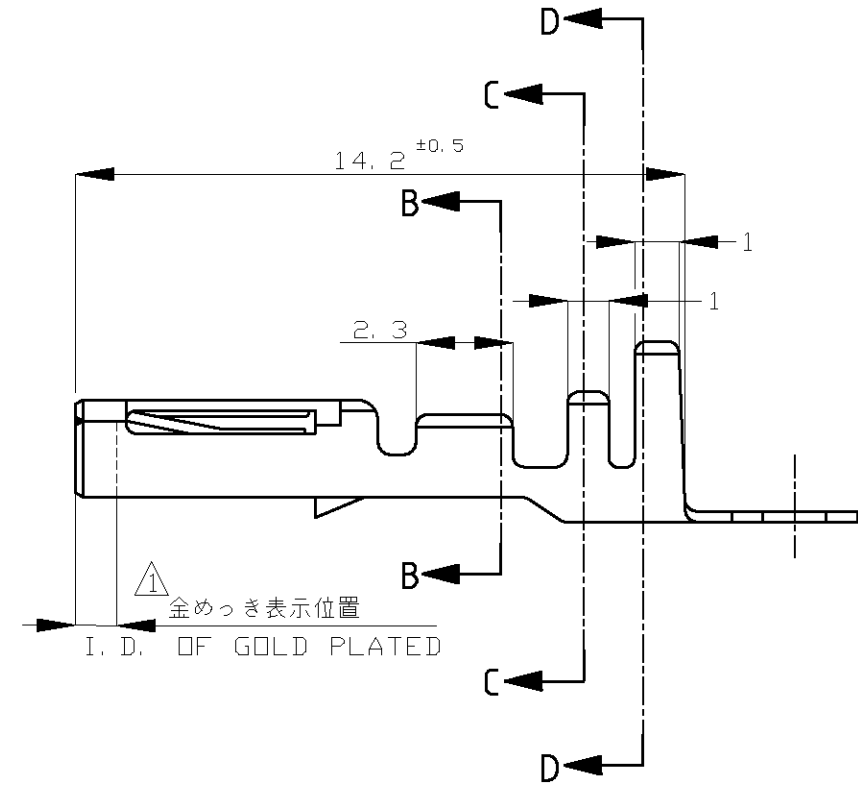
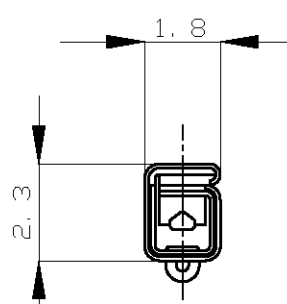
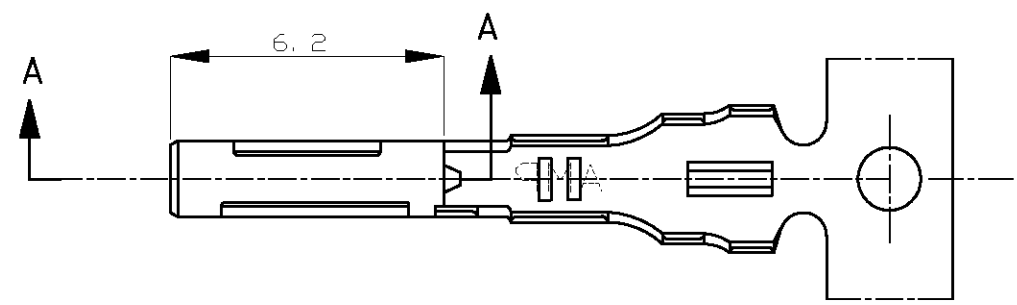
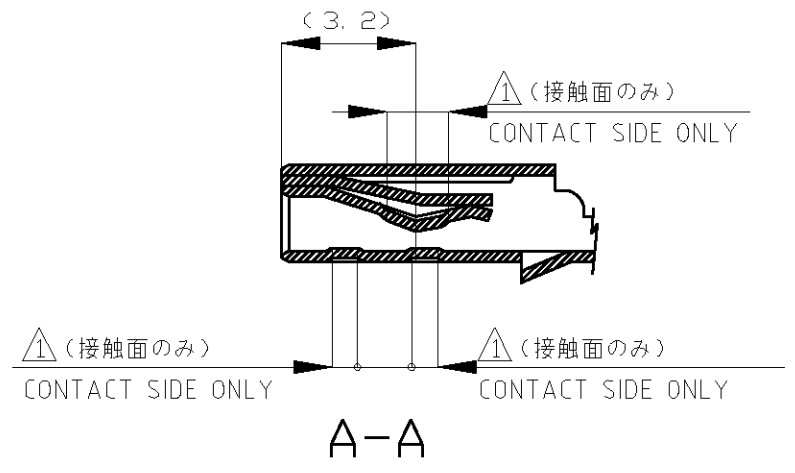


THIS DRAWING IS UNPUBLISHED. RELEASED FOR PUBLICATION
 © COPYRIGHT - By - ALL RIGHTS RESERVED.

LOC	DIST	REVISIONS 変更					
J	-	P	LTR	DESCRIPTION	DATE	DWN	APVD
		B4	REVISED	ECR-12-015126	27AUG2012	TS	KB



- △ 部分金めっき
- △ 取付適用規格：114-5162
- △ SELECTIVE GOLD
- △ APPLICATION SPEC NO. : 114-5162



△ SELECTIVE GOLD 部分金めっき	175180-2
PRE-TINNED 錫めっき済	175180-1
FINISH 仕上げ	PART NO. 製品型番

THIS DRAWING IS A CONTROLLED DOCUMENT.		DWN M.SUGAWARA 01AUG06	STE TE Connectivity	
DIMENSIONS: 単位： 耗 mm		CHK T.SHINOHARA 01AUG06		
TOLERANCES UNLESS OTHERWISE SPECIFIED: 一般公差		APVD K.BETSUI 01AUG06	NAME 名称	
0 < x ≤ 10 : ±0.2		PRODUCT SPEC 製品規格	040 SERIES RECEPTACLE CONTACT	
10 < x ≤ 30 : ±0.25		APPLICATION SPEC 取付適用規格	SIZE	CAGE CODE
30 < x ≤ 100 : ±0.3		FINISH 仕上	A3	00779
ANGLE ; 角度 : ±3°		MATERIAL 材料	DRAWING NO 番号	RESTRICTED TO
TOLERANCE UNLESS OTHERWISE SPECIFIED: 一般公差		THICKNESS 板厚 ; 0.25	C-175180	-
SEE TABLE		CUSTOMER DRAWING	SCALE 尺度 5:1	SHEET 1 OF 1
			REV B4	

单击下面可查看定价，库存，交付和生命周期等信息

[>>TE Connectivity\(泰科\)](#)