

THIS DRAWING IS UNPUBLISHED. RELEASED FOR PUBLICATION 20
 © COPYRIGHT 20 ALL RIGHTS RESERVED.

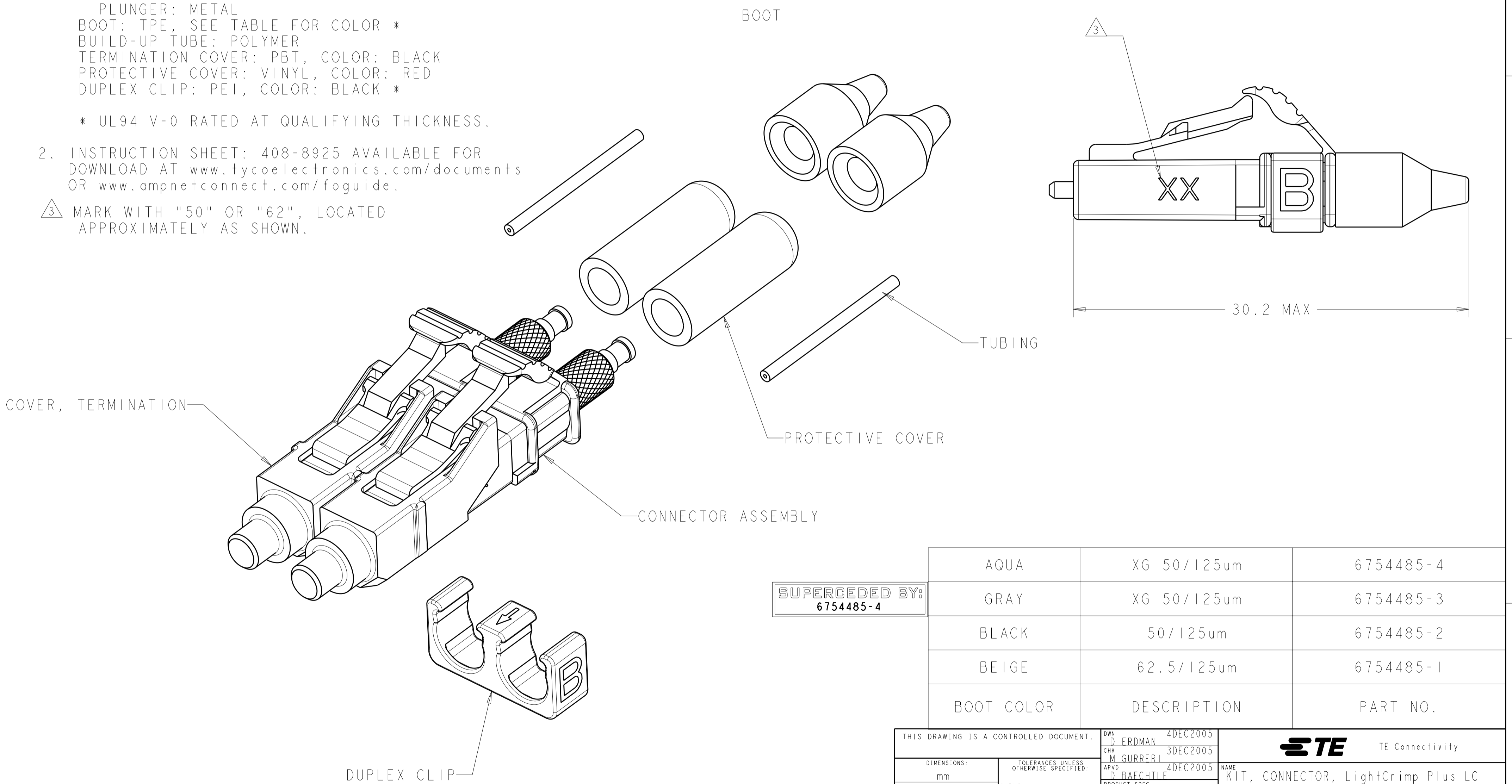
LOC	DIST	REVISIONS			
P	LTR	DESCRIPTION	DATE	DWN	APVD
CE	00	F3	REVISED PER ECO-11-005139	27APR2011	RK HMR

1 MATERIAL:
 CONNECTOR ASSEMBLY:
 CONNECTOR HOUSING: PPSU, COLOR: BEIGE *
 REAR BODY: METAL
 COMPRESSION SPRING: METAL
 FERRULE SUB ASSEMBLY: ZIRCONIA/ METAL
 INTERNAL SPLICE: PEI *
 PLUNGER: METAL
 BOOT: TPE, SEE TABLE FOR COLOR *
 BUILD-UP TUBE: POLYMER
 TERMINATION COVER: PBT, COLOR: BLACK
 PROTECTIVE COVER: VINYL, COLOR: RED
 DUPLEX CLIP: PEI, COLOR: BLACK *

* UL94 V-0 RATED AT QUALIFYING THICKNESS.

2. INSTRUCTION SHEET: 408-8925 AVAILABLE FOR
 DOWNLOAD AT www.tycoelectronics.com/documents
 OR www.amphenolconnect.com/foguide.

3 MARK WITH "50" OR "62", LOCATED
 APPROXIMATELY AS SHOWN.



SUPERCEDED BY:
6754485-4

BOOT COLOR	DESCRIPTION	PART NO.
AQUA	XG 50/125um	6754485-4
GRAY	XG 50/125um	6754485-3
BLACK	50/125um	6754485-2
BEIGE	62.5/125um	6754485-1

THIS DRAWING IS A CONTROLLED DOCUMENT.

DWN	D. ERDMAN	14DEC2005
CHK	M. GURRERI	13DEC2005
APVD	D. BAECHTLE	14DEC2005

STE TE Connectivity

NAME: KIT, CONNECTOR, LightCrimp Plus LC
 DUPLEX, MM
 250-900um BUFFER

SIZE	CAGE CODE	DRAWING NO.	RESTRICTED TO
A2	00779	6754485	-

CUSTOMER DRAWING SCALE 4:1 SHEET 1 OF 1 REV F3

单击下面可查看定价，库存，交付和生命周期等信息

[>>TE Connectivity\(泰科\)](#)