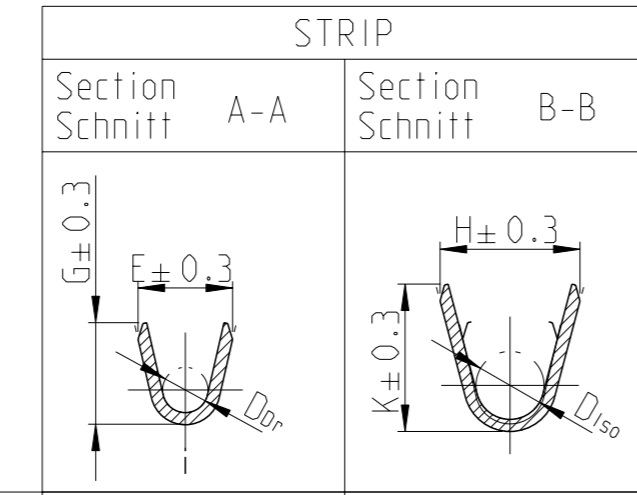
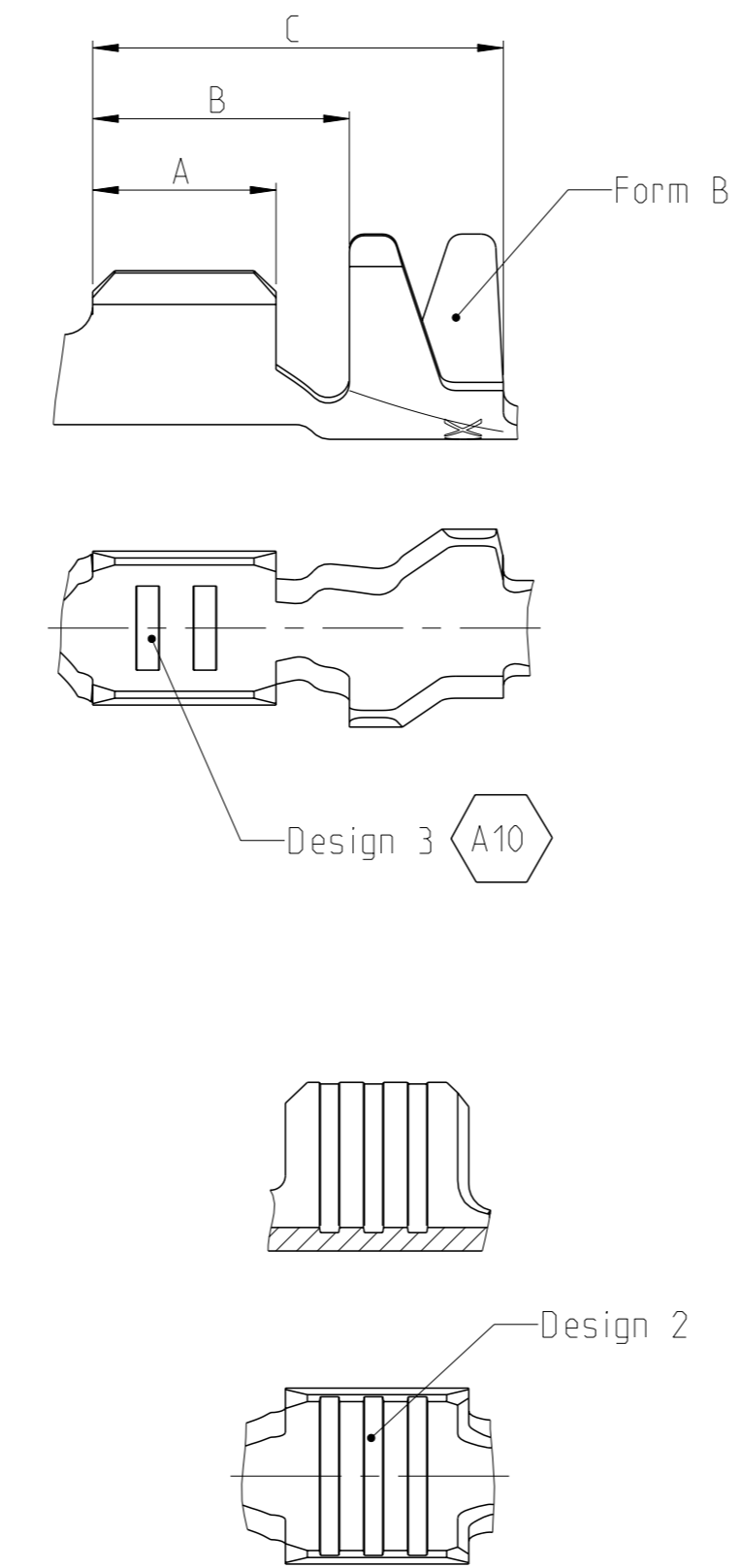
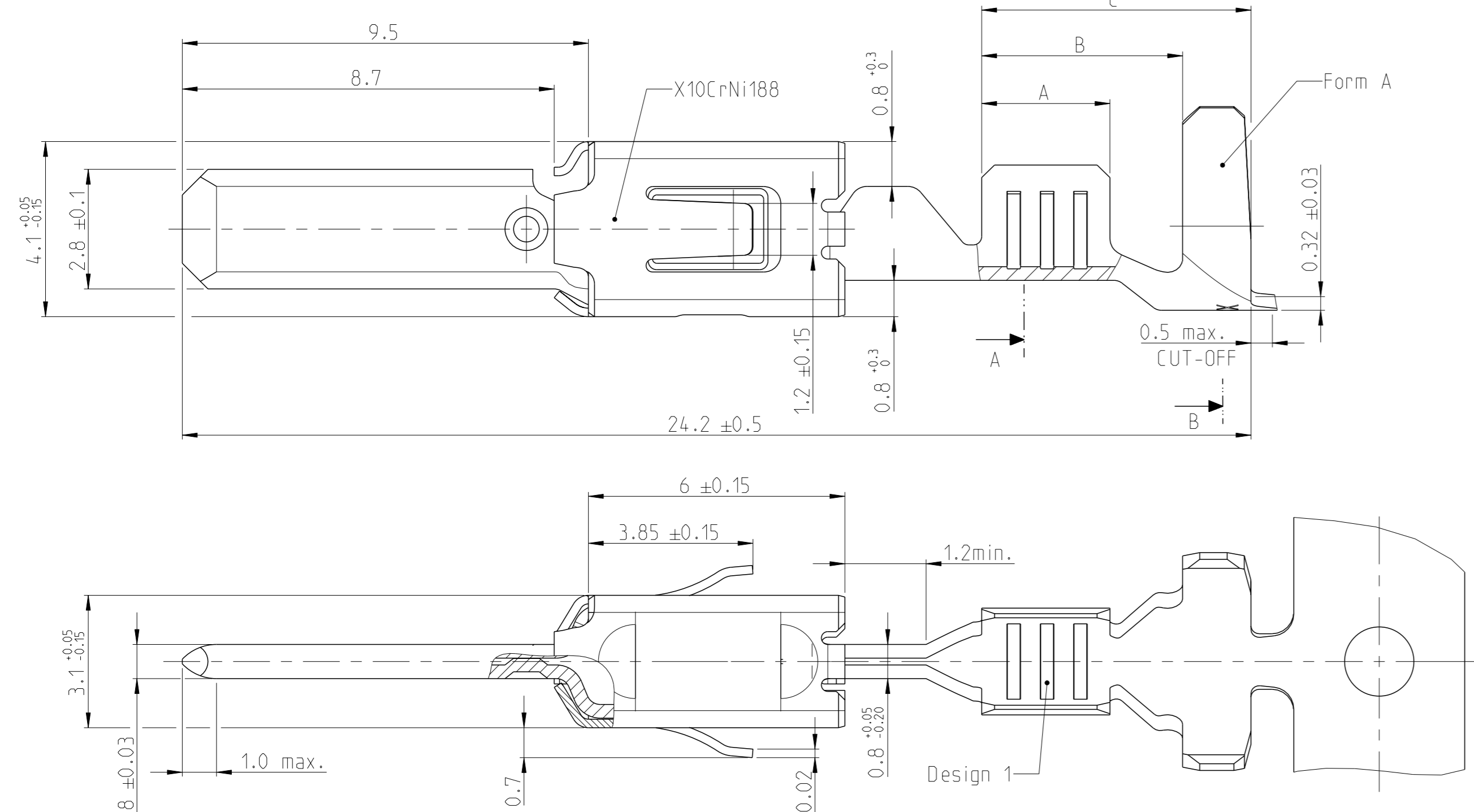
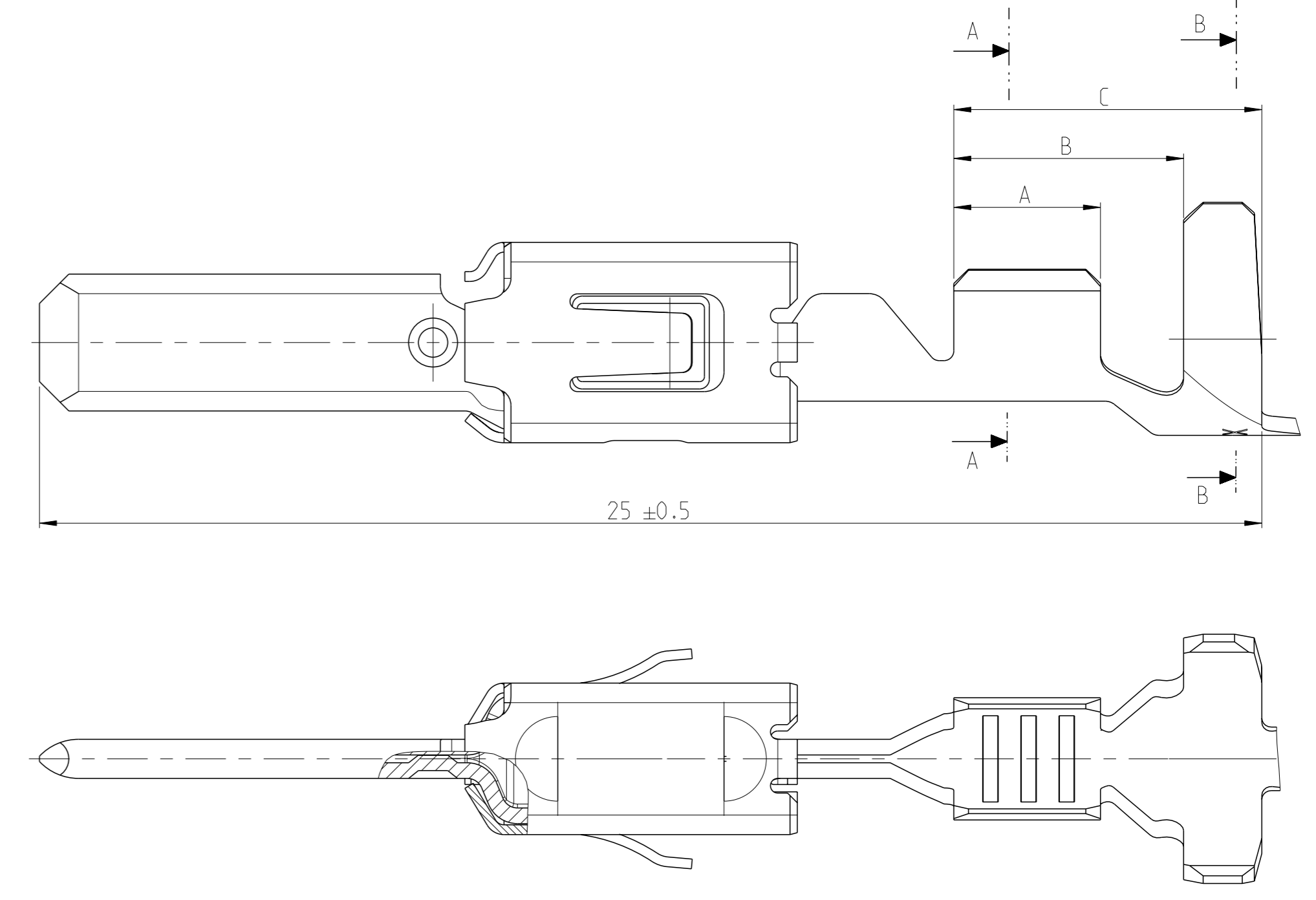


CONTACTS FOR FLR-CABLE Kontakte fuer FLR-Leitung

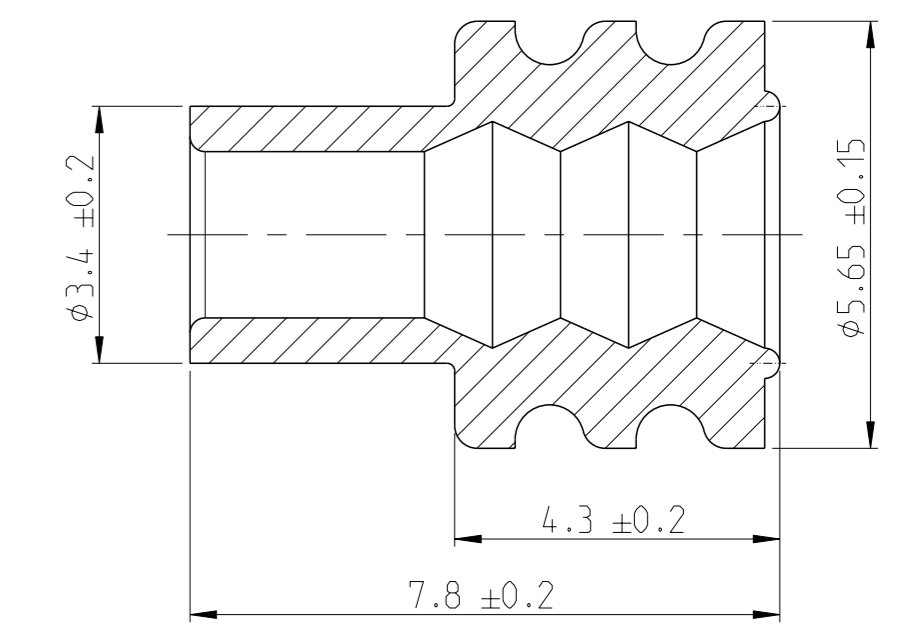


Order No. / Bestell-Nr.	Rev.	Design Serrations	Wire Range / Drahtgroessen Bereich (mm 2)	Insulation φ / Isolations φ (mm)	Material / Werkstoff	Surface / Oberflaeche	Length / Laenge	Wire crimp / Drahtcrimp	Insul. crimp / Iso crimp	Crimp Dimension / Crimpabmessungen (mm)
2-964302-2	A	1	>1.0-2.5	2.2-3.0	CuFe 2	vorverzinnt	A = 3.5 B = 5.2 C = 6.8	E = 3.6 G = 3.8 D _{OR} = 1.8	H = 5.3 K = 5.0 D _{ISO} = 3.5	Single wire sealing system EDS
2-964302-1	C									
1-964302-3	C									
4-964300-1	A	1	0.5-1.0	1.4-2.7	CuNi18Zn20	vorverzinnt	A = 3.0 B = 4.7 C = 6.3	E = 2.5 G = 2.7 D _{OR} = 1.2	H = 5.1 K = 4.8 D _{ISO} = 3.3	Single wire sealing system EDS
2-964300-2	A									
2-964300-1	C									
1-964300-3	C	C			CuSn 4					
2-2141876-2	A	2	0.35	3.4	CuFe 2	vorverzinnt	A = 2.5 B = 4.7 C = 6.3	E = 2.4 G = 2.3 D _{OR} = 1.0	H = 4.7 K = 4.5 D _{ISO} = 3.2	Single wire sealing system EDS
2-2141876-1	A									
1-2141876-3	A									
2-964298-1	C	3 (A10)	0.2-0.5	1.2-2.3	CuFe 2	vorverzinnt	A = 2.5 B = 4.7 C = 6.3	E = 2.1 G = 2.1 D _{OR} = 0.8	H = 4.7 K = 4.5 D _{ISO} = 3.2	Single wire sealing system EDS
1-964298-3	C									
2-964296-2	B	1	>1.0-2.5	2.2-3.0	CuFe 2	vorverzinnt	A = 3.3 B = 4.3 C = 5.8	E = 3.6 G = 3.8 D _{OR} = 1.8	H = 4.7 K = 4.9 D _{ISO} = 2.6	Form A
2-964296-1	C									
1-964296-3	C									
2-964294-2	A	1	0.5-1.0	1.4-2.1	CuFe 2	vorverzinnt	A = 3.0 B = 4.0 C = 5.5	E = 2.5 G = 2.7 D _{OR} = 1.2	H = 3.7 K = 3.9 D _{ISO} = 1.8	Form A
2-964294-1	B									
1-964294-3	B									
2-2141874-1	A	2	0.35	1.15-1.6	CuFe 2	vorverzinnt	A = 2.5 B = 3.5 C = 5.6	E = 2.4 G = 2.3 D _{OR} = 1.0	H = 2.7 K = 2.8 D _{ISO} = 1.4	Form B
1-2141874-3	A									
2-964292-1	B	3 (A10)	0.2-0.5	1.15-1.6	CuFe 2	vorverzinnt	A = 2.5 B = 3.5 C = 5.6	E = 2.1 G = 2.1 D _{OR} = 0.8	H = 2.7 K = 2.8 D _{ISO} = 1.4	Form B
1-964292-3	B									
Order No. / BESTELL - Nr. / Strip / BANDWARE	Rev.	Design Serrations	Wire Range / Drahtgroessen Bereich (mm 2)	Insulation φ / Isolations φ (mm)	Material / Werkstoff	Surface / Oberflaeche	Length / Laenge	Wire crimp / Drahtcrimp	Insul. crimp / Iso crimp	Crimp Dimension / Crimpabmessungen (mm)

Contacts for
Single Wire Sealing System; FLR-and FLK-Cable
Kontakt fuer Einzel-Dichtung-System; FLR und FLK-Leitung
Dimensions see Figure Contacts for FLR - Cable
Masse siehe Darstellung der Kontakte fuer FLR-Leitung



ORDER NO. / Bestell-Nr.	Insulation φ / Isolations φ	Colour / Farbe
963292-1	2.7-3.0	yellow / gelb
963293-1	2.0-2.7	redbrown / rotbraun
963294-1	1.2-2.1	blue / blau



- NOTES / Bemerkungen:
- △ BODY ELECTRO TIN PLATED OVER NICKEL 0.2 μm MIN. CONTACT AREA SELECTIVE GOLD OVER NICKEL 0.8 μm MIN. WIRE CRIMP AREA ELECTRO TIN PLATED 1 μm MIN. OVER NICKEL. Kontaktkoerper gal. verzinnt ueber Nickel 0.2 μm min. Kontaktzone selectiv vergoldet ueber Nickel 0.8 μm min. Drahtcrimpbereich gal. verzinnt 1 μm min. ueber Nickel
 - △ ACCORDING INSULATION φ IS TO CHOOSE THE SINGLE WIRE SEAL. Entsprechend dem Isolationsdurchmesser ist die Einzel-Dichtung auszuwaehlen
 - △ CONTACT AREA MIN. 3 μm PRE-SILVER PLATED. Kontaktzone min. 3 μm vorversilbert

THIS DRAWING IS A CONTROLLED DOCUMENT. DIESE ZEICHNUNG IST EIN KONTROLLIERTES DOKUMENT.

TE Connectivity

PRODUCT GROUP DRAWING TAB 2.8 x 0.8 MM TYPE A
Produkt-Gruppen-Zeichnung Flachstecker 2.8 x 0.8 mm Typ A

SCALE 10:1 SHEET 1 OF 1 REV. A10

单击下面可查看定价，库存，交付和生命周期等信息

[>>TE Connectivity\(泰科\)](#)