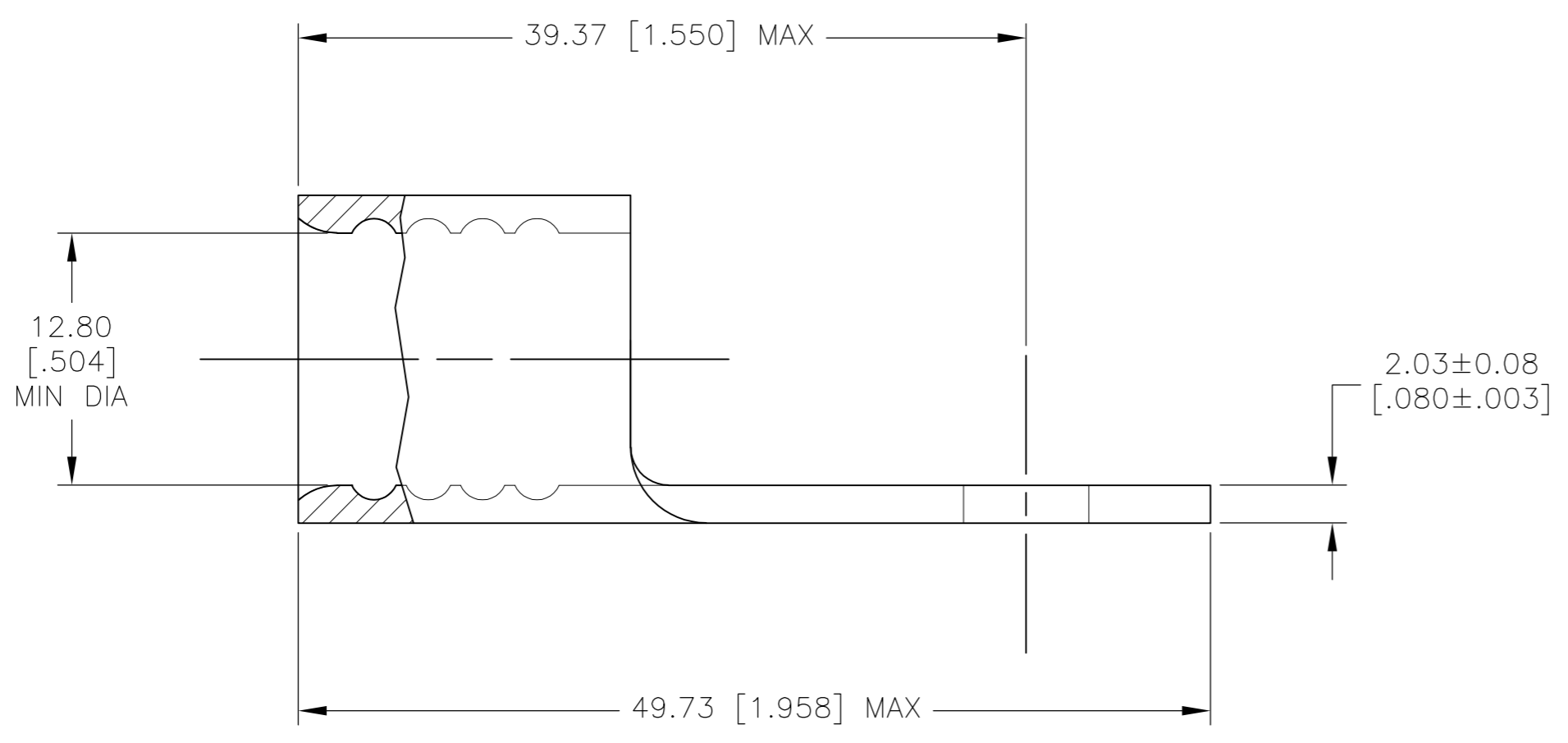
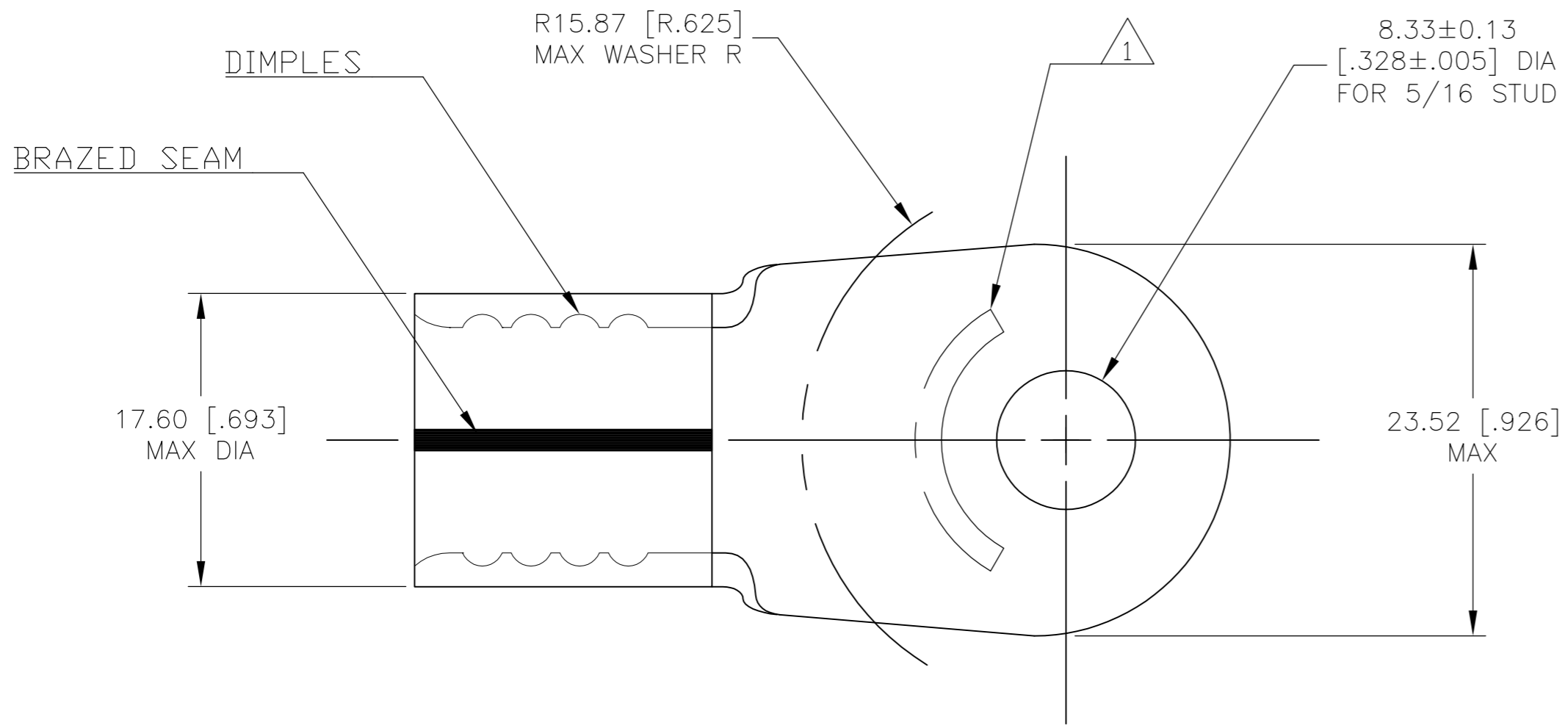


THIS DRAWING IS UNPUBLISHED. RELEASED FOR PUBLICATION
 © COPYRIGHT BY TYCO ELECTRONICS CORPORATION. ALL INTERNATIONAL RIGHTS RESERVED.

LOC	DIST	REVISIONS			
P	LTR	DESCRIPTION	DATE	DWN	APVD
G	14	REV PER ECR 10-000722	22JAN10	JR	TM



AMP WIRE RANGE	Listed FILE E13288
2/0 AWG SOLID OR STRANDED	2/0 AWG STRANDED
LR7189 Certified	MILITARY P/N AND CLASS
2/0 AWG SOLID OR STRANDED	MS 20659-119 CLASS 2

- 1 STAMP AMP 2/OW* APPROX AS SHOWN
- 2 COPPER PER ASTM B-152, ANNEALED
- 3 TIN PLATE 0/00254 [.000100] MIN EXT THK PER ASTM B-545

50	LOOSE PIECE	321870
QTY	PACKAGE TYPE	PART NO.

MAX RECOMMENDED OPERATING TEMPERATURE: 170°C MAX	THIS DRAWING IS A CONTROLLED DOCUMENT.		DWN DK SCHRUM 1/14/94	Tyco Electronics Corporation Harrisburg, PA 17105-3608
	VOLTAGE RATING: N/A	DIMENSIONS: MM [INCHES]	CHK AJ KAUFMAN 1/19/94	
CIRCULAR MIL AREA: 60.6-76.3mm² [119,500-150,500] SOLID OR STRANDED	TOLERANCES UNLESS OTHERWISE SPECIFIED: 0 PLC ± - 1 PLC ± - 2 PLC ± 0.20[.008] 3 PLC ± - 4 PLC ± - ANGLES ± - FINISH	MATERIAL - 2	APVD JL MECKLEY 1/19/94	PRODUCT SPEC - APPLICATION SPEC -
			WEIGHT -	SIZE A2
			CUSTOMER DRAWING	CAGE CODE 00779
				DRAWING NO 321870
				RESTRICTED TO -
				SCALE 2:1
				SHEET 1 of 1
				REV G

321870

单击下面可查看定价，库存，交付和生命周期等信息

[>>TE Connectivity\(泰科\)](#)