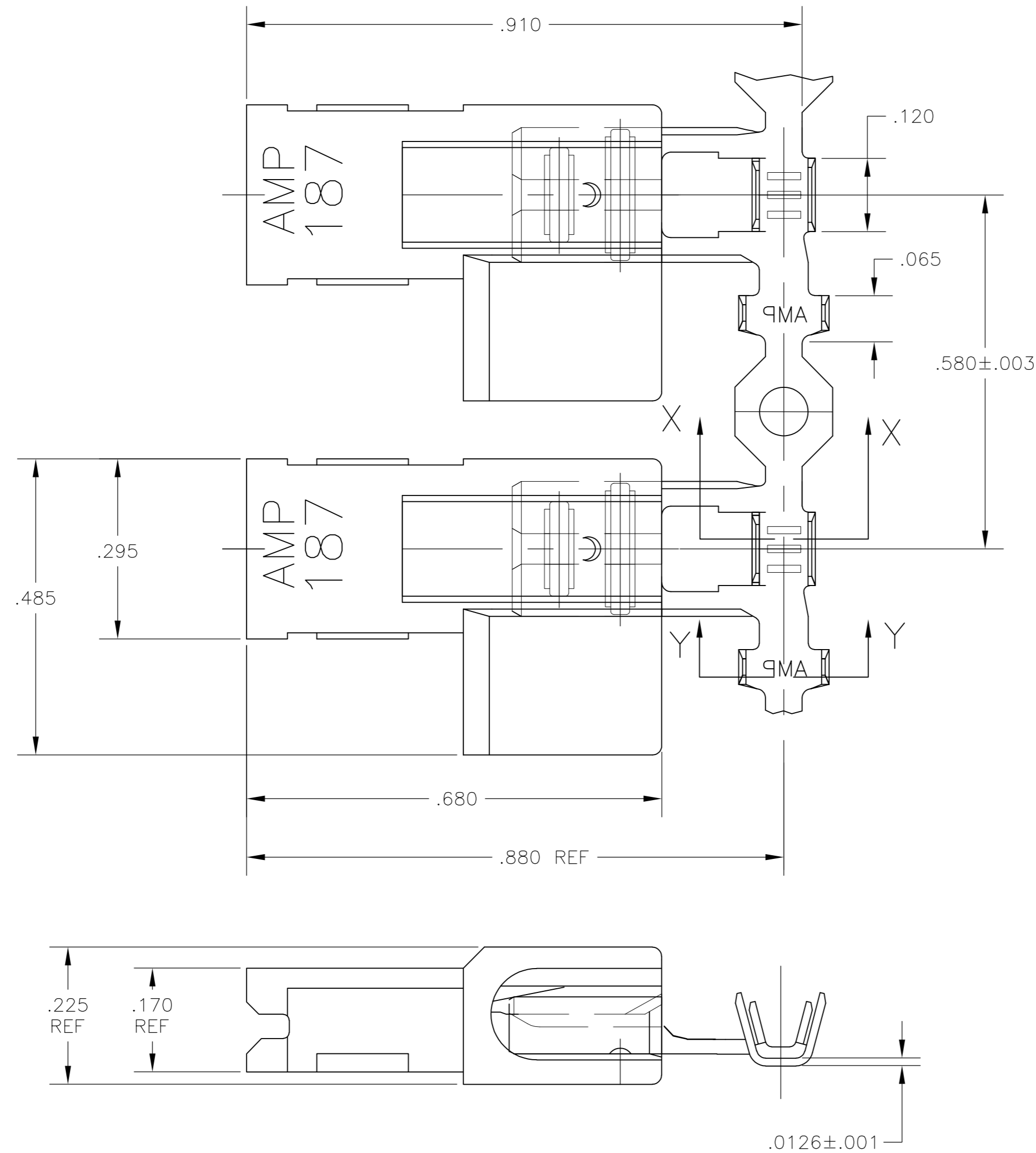
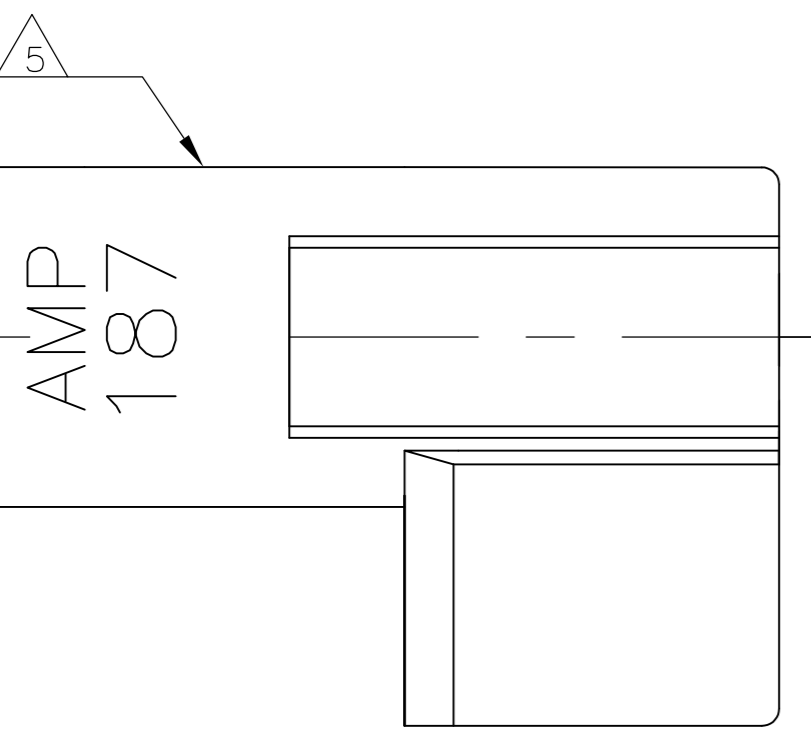
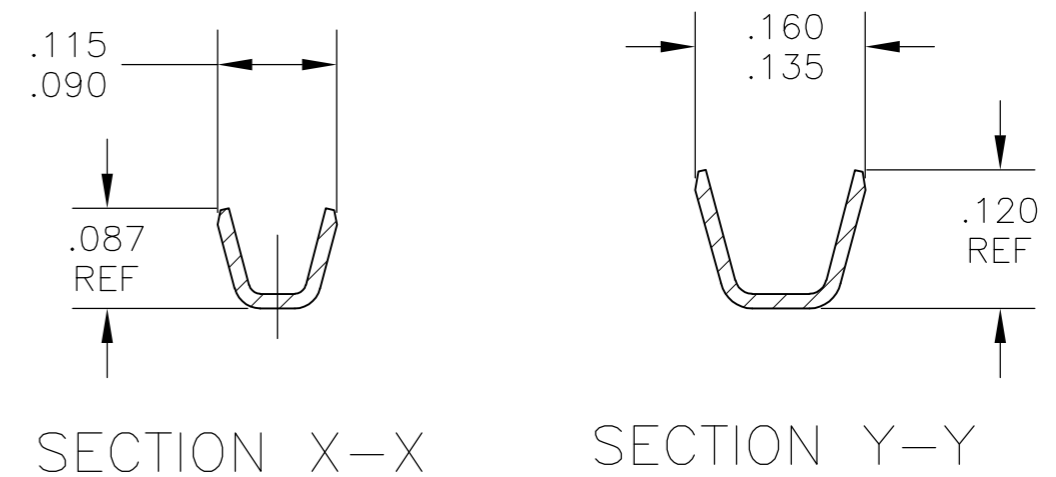


THIS DRAWING IS UNPUBLISHED. RELEASED FOR PUBLICATION
 © COPYRIGHT BY TYCO ELECTRONICS CORPORATION. ALL INTERNATIONAL RIGHTS RESERVED.

LOC		DIST		REVISIONS			
P	LTR	DESCRIPTION		DATE	DWN	APVD	
AF	50	D2	REVISED PER ECR-10-005258	09MAR10	JR	GP	



- 1 WIRE SIZE IS #22-#18 AWG
- 2 INSULATION RANGE IS .060-.110 DIA
- 3 MATERIAL;
TERMINAL: SEE TABLE
HOUSING: 6/6 NYLON, V2, NATURAL COLOR
- 4 FITS .187 X .032±.001 THK FASTON TAB
- 5 ALTERNATIVE HOUSING FORM
- 6 PREPRODUCTION - FASR REQUIRED.
- 7 PRELIMINARY - NOT FOR PRODUCTION



PHOS BRONZE	TIN PLATE	7	521598-3
BRASS	TIN PLATE	6	521598-2
BRASS	NO PLATING	6	521598-1
TERMINAL MATERIAL	TERMINAL: FINISH	PART NO.	

THIS DRAWING IS A CONTROLLED DOCUMENT.		DWN JR RUTH 30JUL03	Tyco Electronics Corporation Harrisburg, PA 17105-3608																	
DIMENSIONS: INCHES		CHK J HUMMEL 24JUL03																		
TOLERANCES UNLESS OTHERWISE SPECIFIED:		APVD KRISTY YI 24JUL03																		
<table border="1"> <tr><td>0 PLC</td><td>±</td><td>-</td></tr> <tr><td>1 PLC</td><td>±</td><td>-</td></tr> <tr><td>2 PLC</td><td>±</td><td>-</td></tr> <tr><td>3 PLC</td><td>±</td><td>.010</td></tr> <tr><td>4 PLC</td><td>±</td><td>-</td></tr> <tr><td>ANGLES</td><td>±</td><td>-</td></tr> </table>		0 PLC		±	-	1 PLC	±	-	2 PLC	±	-	3 PLC	±	.010	4 PLC	±	-	ANGLES	±	-
0 PLC	±	-																		
1 PLC	±	-																		
2 PLC	±	-																		
3 PLC	±	.010																		
4 PLC	±	-																		
ANGLES	±	-																		
MATERIAL SEE NOTES	FINISH SEE NOTES	APPLICATION SPEC -	<table border="1"> <tr> <td>SIZE</td> <td>CAGE CODE</td> <td>DRAWING NO</td> <td>RESTRICTED TO</td> </tr> <tr> <td>A2</td> <td>00779</td> <td>C=521598</td> <td>-</td> </tr> </table>	SIZE	CAGE CODE	DRAWING NO	RESTRICTED TO	A2	00779	C=521598	-									
SIZE	CAGE CODE	DRAWING NO	RESTRICTED TO																	
A2	00779	C=521598	-																	
CUSTOMER DRAWING		WEIGHT -	<table border="1"> <tr> <td>SCALE</td> <td>SHEET</td> <td>REV</td> </tr> <tr> <td>6:1</td> <td>1 of 1</td> <td>D2</td> </tr> </table>	SCALE	SHEET	REV	6:1	1 of 1	D2											
SCALE	SHEET	REV																		
6:1	1 of 1	D2																		

单击下面可查看定价，库存，交付和生命周期等信息

[>>TE Connectivity\(泰科\)](#)