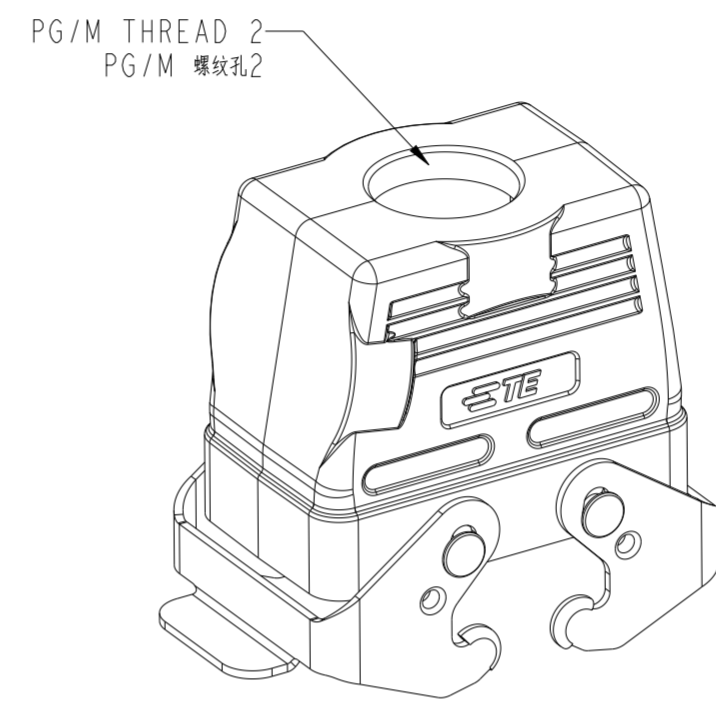
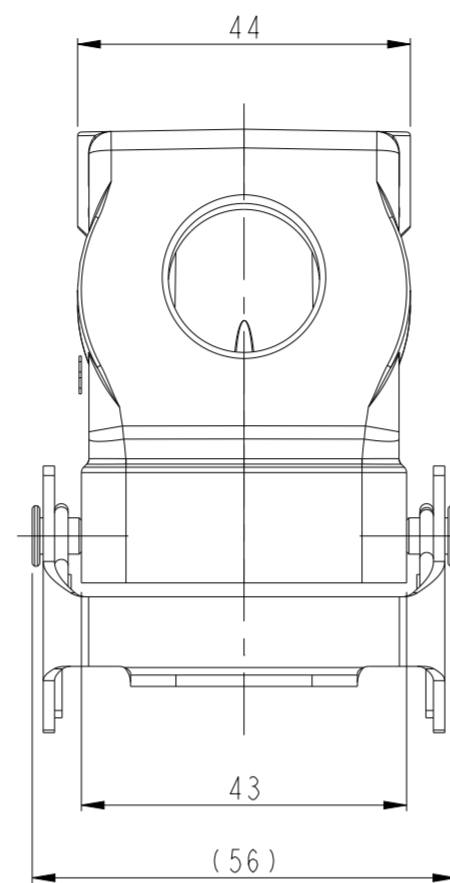
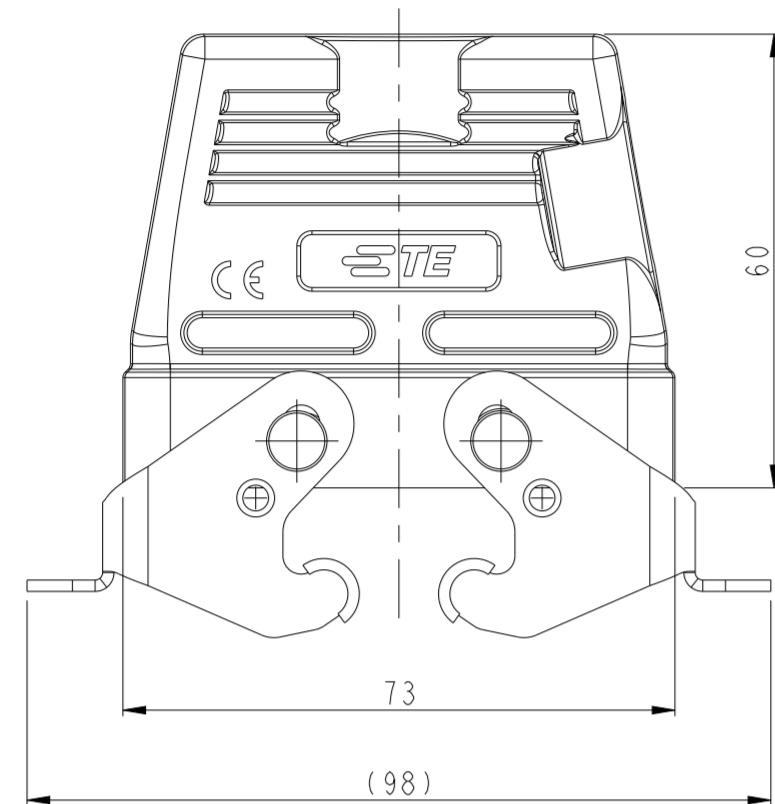


THIS DRAWING IS UNPUBLISHED. RELEASED FOR PUBLICATION 20  
 © COPYRIGHT 20 BY - ALL RIGHTS RESERVED.

REVISIONS					
P	LTR	DESCRIPTION	DATE	DWN	APVD
A		INITIAL	24JUN2015	DW	CW
AI		ECR-17-008664	16JUN2017	CH	CW
B		ECR-20-008181	30JUN2020	WOR	CW
BI		ECR-21-103925	01JUN2021	WOR	CW

NOTES:  
 1. TECHNICAL CHARACTERISTICS:  
 HOOD MATERIAL: DIE CAST ALUMINIUM ALLOY  
 SURFACE: POWDER COATED, GREY  
 DEGREE OF PROTECTION: IP65 (MATED)

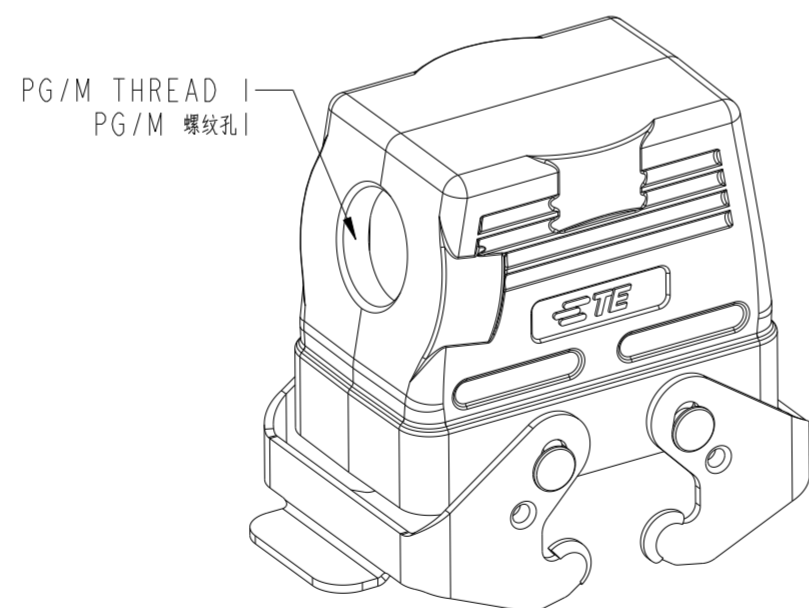
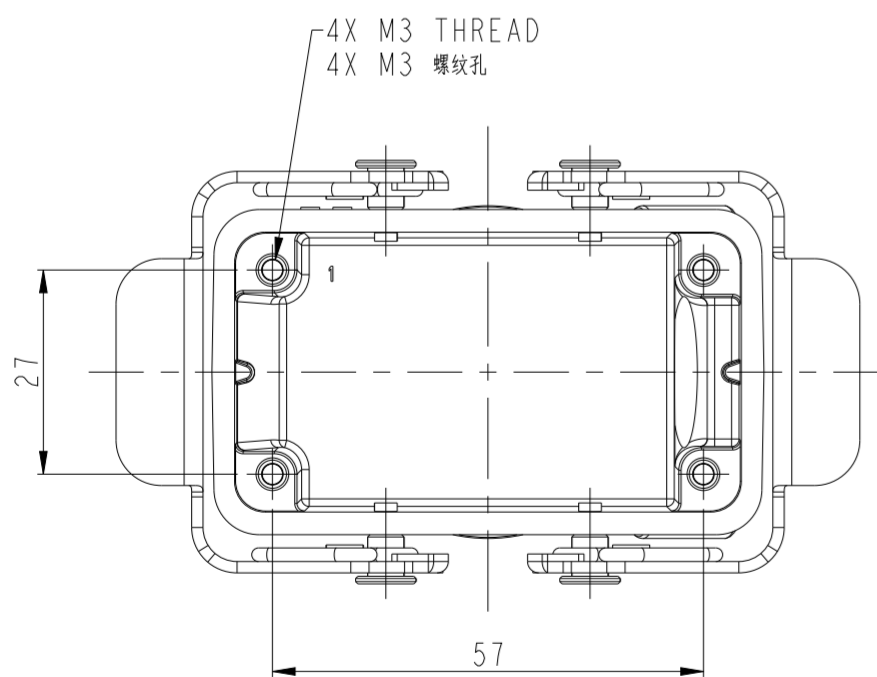
注释:  
 1. 技术参数:  
 上壳材料: 铝合金  
 表面处理: 灰色粉末喷涂  
 防护等级: IP65(配合)



SCALE 4:5

TYPE 2: LOW CONSTRUCTION, TOP ENTRY WITH STEEL DOUBLE LOCKING  
 OTHER SPEC REFER TO TYPE 1

类型2: 低结构, 顶出, 带彩锌双扣, 其它规格参照类型1



SCALE 4:5

TYPE 1: LOW CONSTRUCTION, SIDE ENTRY WITH STEEL DOUBLE LOCKING

类型1: 低结构, 侧出, 带彩锌双扣

PART NUMBER 料号	PART DESCRIPTION 描述	PG/M THREAD 1 PG/M 螺纹孔1	PG/M THREAD 2 PG/M 螺纹孔2	TYPE 类型
TI260102125-000	H10B-TGB-M25 H10B HOOD, TOP ENTRY M25, METAL DOUBLE LOCKING, POWDER COATED, GREY H10B上壳, 顶出M25, 彩锌双扣, 灰色粉末喷涂	-	M25	TYPE 2 类型2
TI260102121-000	H10B-TGB-PG21 H10B HOOD, TOP ENTRY PG21, METAL DOUBLE LOCKING, POWDER COATED, GREY H10B上壳, 顶出PG21, 彩锌双扣, 灰色粉末喷涂	-	PG21	
TI260102120-000	H10B-TGB-M20 H10B HOOD, TOP ENTRY M20, METAL DOUBLE LOCKING, POWDER COATED, GREY H10B上壳, 顶出M20, 彩锌双扣, 灰色粉末喷涂	-	M20	
TI260102116-000	H10B-TGB-PG16 H10B HOOD, TOP ENTRY PG16, METAL DOUBLE LOCKING, POWDER COATED, GREY H10B上壳, 顶出PG16, 彩锌双扣, 灰色粉末喷涂	-	PG16	TYPE 1 类型1
TI250102125-000	H10B-TSB-M25 H10B HOOD, SIDE ENTRY M25, METAL DOUBLE LOCKING, POWDER COATED, GREY H10B上壳, 侧出M25, 彩锌双扣, 灰色粉末喷涂	M25	-	
TI250102120-000	H10B-TSB-M20 H10B HOOD, SIDE ENTRY M20, METAL DOUBLE LOCKING, POWDER COATED, GREY H10B上壳, 侧出M20, 彩锌双扣, 灰色粉末喷涂	M20	-	
TI250102116-000	H10B-TSB-PG16 H10B HOOD, SIDE ENTRY PG16, METAL DOUBLE LOCKING, POWDER COATED, GREY H10B上壳, 侧出PG16, 彩锌双扣, 灰色粉末喷涂	PG16	-	

THIS DRAWING IS A CONTROLLED DOCUMENT.		DWN DAVID.WANG 24JUN2015	<b>STE</b> TE Connectivity	
		CHK CHRIS.WANG 24JUN2015		
DIMENSIONS: mm		APVD XIANG.XU 24JUN2015	NAME H10B-TSB/TGB/TSBH/TGBH-M/PG	
TOLERANCES UNLESS OTHERWISE SPECIFIED:		PRODUCT SPEC 108-137013	RESTRICTED TO	
0 PLC ±		APPLICATION SPEC 114-137013	SIZE A2	CAGE CODE 00779
1 PLC ±		WEIGHT -	DRAWING NO C-T12X01021XX000	
2 PLC ±		SCALE 1:1 SHEET 1 OF 2		
3 PLC ±		REV BI		
4 PLC ±				
ANGLES ±				
FINISH -		Customer Drawing		

4

3

2

1

THIS DRAWING IS UNPUBLISHED. RELEASED FOR PUBLICATION 20  
 © COPYRIGHT 20 BY - ALL RIGHTS RESERVED.

REVISIONS

P	LTR	DESCRIPTION	DATE	DWN	APVD
-	-	SEE SHEET 1	-	-	-

NOTES:

SEE SHEET 1

PG/M THREAD 2  
PG/M 螺纹孔2

SCALE 4:5

TYPE 4: HIGH CONSTRUCTION, TOP ENTRY  
 WITH STEEL DOUBLE LOCKING  
 OTHER SPEC REFER TO TYPE 3

类型4: 高结构, 顶出, 带彩锌双扣, 其它规格参照类型3

PART NUMBER	PART DESCRIPTION	PG/M THREAD 1	PG/M THREAD 2	TYPE
料号	描述	PG/M 螺纹孔1	PG/M 螺纹孔2	类型
T1280102132-000	H10B-TGBH-M32 H10B HOOD, TOP ENTRY M32, METAL DOUBLE LOCKING, HIGH CONSTRUCTION, POWDER COATED, GREY H10B上壳, 顶出M32, 彩锌双扣, 高结构, 灰色粉末喷涂	-	M32	TYPE 4 类型4
T1280102129-000	H10B-TGBH-PG29 H10B HOOD, TOP ENTRY PG29, METAL DOUBLE LOCKING, HIGH CONSTRUCTION, POWDER COATED, GREY H10B上壳, 顶出PG29, 彩锌双扣, 高结构, 灰色粉末喷涂	-	PG29	
T1280102125-000	H10B-TGBH-M25 H10B HOOD, TOP ENTRY M25, METAL DOUBLE LOCKING, HIGH CONSTRUCTION, POWDER COATED, GREY H10B上壳, 顶出M25, 彩锌双扣, 高结构, 灰色粉末喷涂	-	M25	
T1280102121-000	H10B-TGBH-PG21 H10B HOOD, TOP ENTRY PG21, METAL DOUBLE LOCKING, HIGH CONSTRUCTION, POWDER COATED, GREY H10B上壳, 顶出PG21, 彩锌双扣, 高结构, 灰色粉末喷涂	-	PG21	
T1270102140-000	H10B-TSBH-M40 H10B HOOD, SIDE ENTRY M40, METAL DOUBLE LOCKING, HIGH CONSTRUCTION, POWDER COATED, GREY H10B上壳, 侧出M40, 彩锌双扣, 高结构, 灰色粉末喷涂	M40	-	TYPE 3 类型3
T1270102132-000	H10B-TSBH-M32 H10B HOOD, SIDE ENTRY M32, METAL DOUBLE LOCKING, HIGH CONSTRUCTION, POWDER COATED, GREY H10B上壳, 侧出M32, 彩锌双扣, 高结构, 灰色粉末喷涂	M32	-	
T1270102129-000	H10B-TSBH-PG29 H10B HOOD, SIDE ENTRY PG29, METAL DOUBLE LOCKING, HIGH CONSTRUCTION, POWDER COATED, GREY H10B上壳, 侧出PG29, 彩锌双扣, 高结构, 灰色粉末喷涂	PG29	-	
T1270102125-000	H10B-TSBH-M25 H10B HOOD, SIDE ENTRY M25, METAL DOUBLE LOCKING, HIGH CONSTRUCTION, POWDER COATED, GREY H10B上壳, 侧出M25, 彩锌双扣, 高结构, 灰色粉末喷涂	M25	-	
T1270102121-000	H10B-TSBH-PG21 H10B HOOD, SIDE ENTRY PG21, METAL DOUBLE LOCKING, HIGH CONSTRUCTION, POWDER COATED, GREY H10B上壳, 侧出PG21, 彩锌双扣, 高结构, 灰色粉末喷涂	PG21	-	

PG/M THREAD 1  
PG/M 螺纹孔1

SCALE 4:5

TYPE 3: HIGH CONSTRUCTION, SIDE ENTRY  
 WITH STEEL DOUBLE LOCKING

类型3: 高结构, 侧出, 带彩锌双扣

THIS DRAWING IS A CONTROLLED DOCUMENT.

DWN 24 JUN 2015

DAVID.WANG

CHK 24 JUN 2015

CHRIS.WANG

APVD 24 JUN 2015

XIANG.XU

PRODUCT SPEC

108-137013

APPLICATION SPEC

114-137013

WEIGHT -

Customer Drawing

TE Connectivity

NAME H10B-TSB/TGB/TSBH/TGBH-M/PG

SIZE A2 CAGE CODE 00779 DRAWING NO. C-T12X01021XX000 RESTRICTED TO -

SCALE 1:1 SHEET 2 OF 2 REV B1

DIMENSIONS:

mm

MATERIAL -

FINISH -

TOLERANCES UNLESS OTHERWISE SPECIFIED:

0 PLC ±

1 PLC ±

2 PLC ±

3 PLC ±

4 PLC ±

ANGLES ±

1471-9 (3/13)

Downloaded From [Onevac.com](http://Onevac.com)

单击下面可查看定价，库存，交付和生命周期等信息

[>>TE Connectivity\(泰科\)](#)