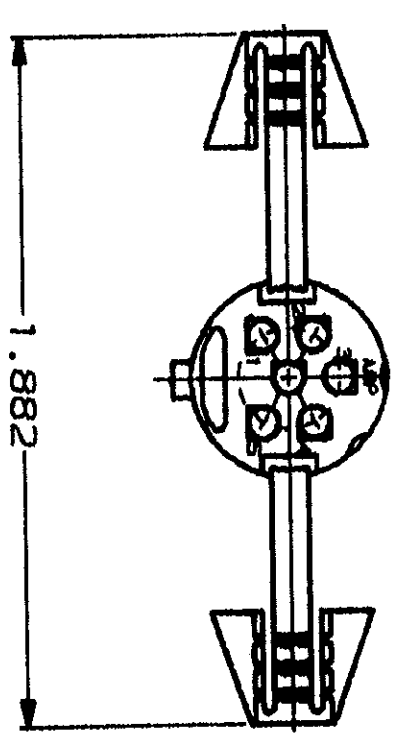
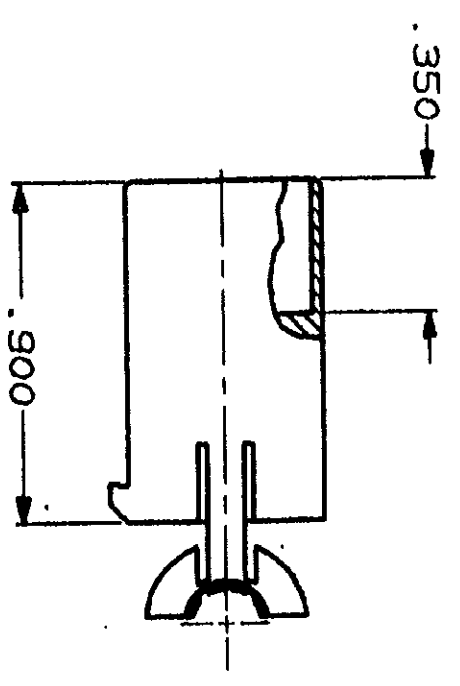
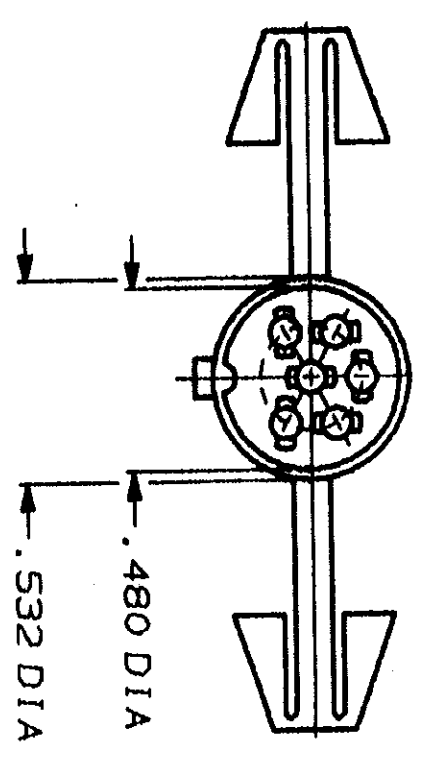


DRAWING MADE IN THIRD ANGLE PROJECTION  
 THIS DRAWING IS UNPUBLISHED. RELEASED FOR PUBLICATION  
 BY AMP INCORPORATED. ALL INTERNATIONAL RIGHTS RESERVED.  
 © COPYRIGHT '19

| REV | DATE | APPRO | REVISIONS |
|-----|------|-------|-----------|
| 23  | BD   | 39    |           |
|     |      |       | REDRAWN   |



1. ASSEMBLES WITH 207314.

|   |  |   |  |   |  |
|---|--|---|--|---|--|
| DO NOT SCALE PRINT.<br>UNLESS SPECIFIED<br>DIMENSIONS IN INCHES<br>TOLERANCES ON:<br>1. ALL DIMS ± .005<br>2. HOLE DIA ± .005<br>3. HOLE DEC ± .005<br>ANGLES ± .5°<br>MATERIAL<br>THERMOPLASTIC, BLACK<br>FINISH |  | DR B/30/90<br>A. STUB BS<br>CHK J. David<br>S-30-91<br>APPD K. Drake<br>6-3-91<br>APPD - G. Taylor<br>6/17/91<br>PRODUCT SPEC |  | NAME<br><b>AMP</b><br>AMP Incorporated<br>Harrisburg, PA 17105-3608 |  |
| APPLICATION SPEC<br>DETAIL  |  | SIZE CAGE CODE<br>G 00779   |  | DRAWING NO<br>207332  |  |
| SCALE 2:1   |  | SHEET 1 OF 1  |  | HOUSING, PIN CONTACT,<br>AUDIO MICROPHONE CONNECTOR<br>6 POSITION   |  |

207332-1  
 PART NO.

207332

CUSTOMER DRAWING

单击下面可查看定价，库存，交付和生命周期等信息

[>>TE Connectivity\(泰科\)](#)