

4

3

2

1

THIS DRAWING IS UNPUBLISHED.
DIFFUSION RESTREINTE AMPRELEASED FOR PUBLICATION
LIBRE A LA DIFFUSION

20

LOC
FDIST
7

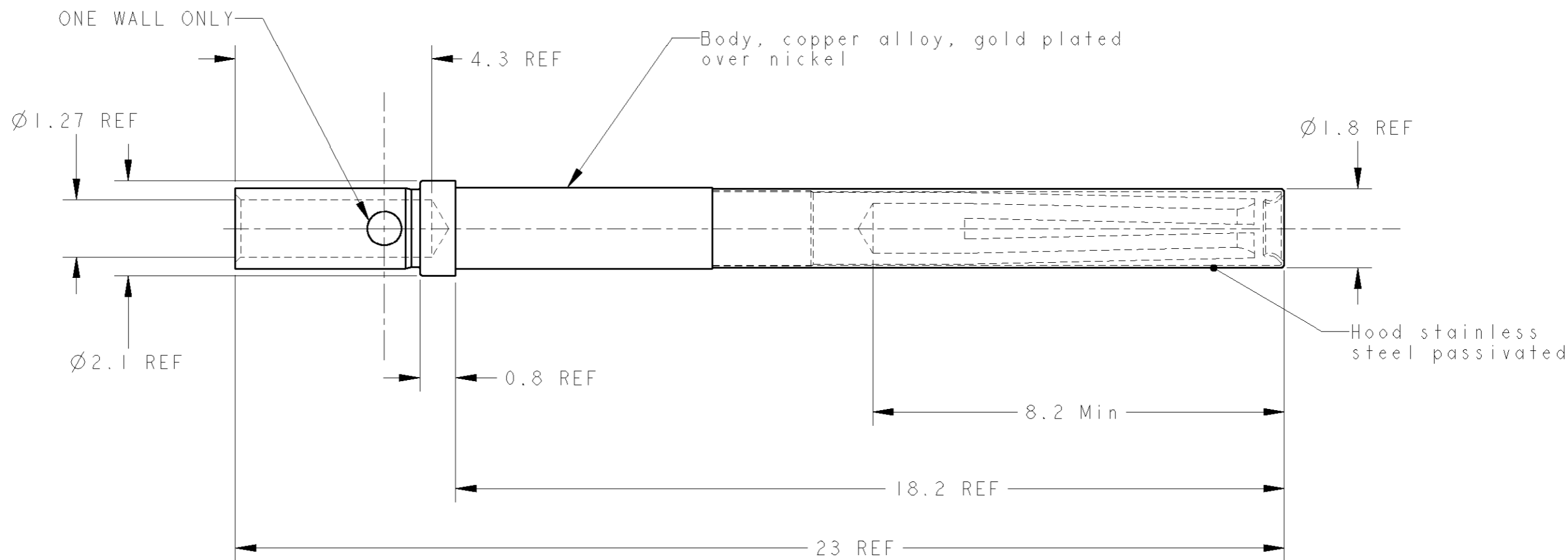
REVISIONS

© COPYRIGHT 20

BY TYCO ELECTRONICS CORPORATION. ALL RIGHTS RESERVED.
TOUS DROITS RESERVES

P	LTR REV	DESCRIPTION MODIFICATIONS	DATE	DWN DESS.	APVD APP.
	D	REDRAWN AND UPDATED	28JAN2004	J.D	YP

SCALE 1:1



TYCO P/N: 132155-1

Notes:

- FOR CONDUCTOR SECTION 0.93mm²- AWG18
Pour conducteur section 0.93 mm²- AWG18
- CRIMPING HAND TOOL: MS3191-1 OR M22520/1-01
LOCATOR M22520/1-02 IN POSITION 5
Pince de sertissage MS3191-1 ou M22520/1-01
Locator M22520/1-02 en position 5

THIS DRAWING IS A CONTROLLED DOCUMENT FOR TYCO ELECTRONICS CORPORATION IT IS SUBJECT TO CHANGE AND THE CONTROLLING ENGINEERING ORGANIZATION SHOULD BE CONTACTED FOR THE LATEST REVISION. CE PLAN EST UN DOCUMENT CONTROLE PAR AMP INCORPORATED. IL EST SUSCEPTIBLE D'ETRE REVISE. CONTACTER LE SERVICE TECHNIQUE D'AMP DE FRANCE POUR OBTENIR LA DERNIERE REVISION.		DWN/DESSINE J. DREUX 28JAN2004			TYCO ELECTRONICS France SAS BP 39, 95301 CERGY-PONTOISE Cedex
DIMENSIONS: mm		CHK/VERIFIE Y. PETRONIN 28JAN2004	NAME TITRE SOCKET ASS'Y, SIZE 20, REAR RELEASE, TYPE XVII		
TOLERANCES UNLESS OTHERWISE SPECIFIED: TOLERANCES NON SPECIFIEES (SUIV NB DE DECIMALES): 0 PLC/DEC: ± 1 PLC/DEC: ± 2 PLC/DEC: ± 3 PLC/DEC: ± 4 PLC/DEC: ± ANGLES ±		APVD/APPROUVE Y. PETRONIN 28JAN2004	APPLICATION SPEC SPEC. APPLICATION NOTE 2		
MATERIAL /MATIERE		FINISH /FINITION	WEIGHT MASSE APPROX.	SIZE FORMAT A3	CAGE CODE 00779
				DRAWING NO No PLAN C=132155	RESTRICTED TO RESERVE A
		CUSTOMER DRAWING /PLAN CLIENT	UNIQUEMENT POUR REFERENCE	SCALE ECHELLE 10:1	SHEET FEUILLE 1 OF DE 1 REV D

单击下面可查看定价，库存，交付和生命周期等信息

[>>TE Connectivity\(泰科\)](#)