

THIS DRAWING IS UNPUBLISHED. RELEASED FOR PUBLICATION
 © COPYRIGHT - ALL RIGHTS RESERVED.

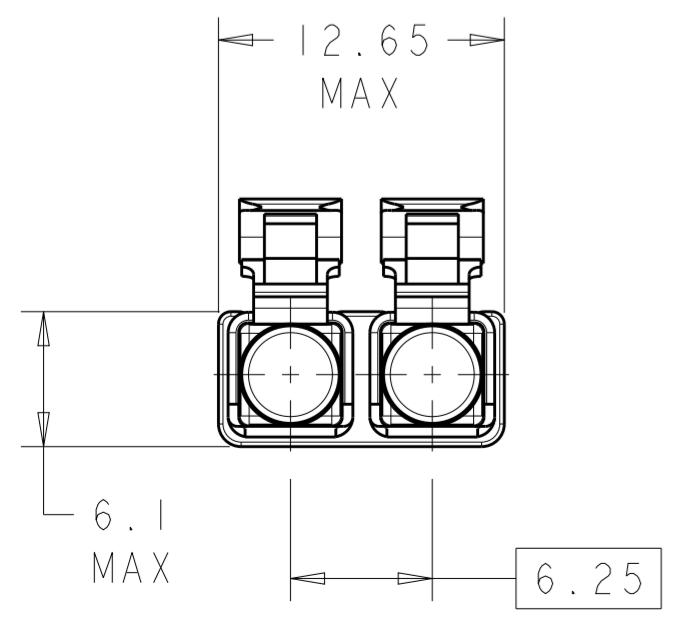
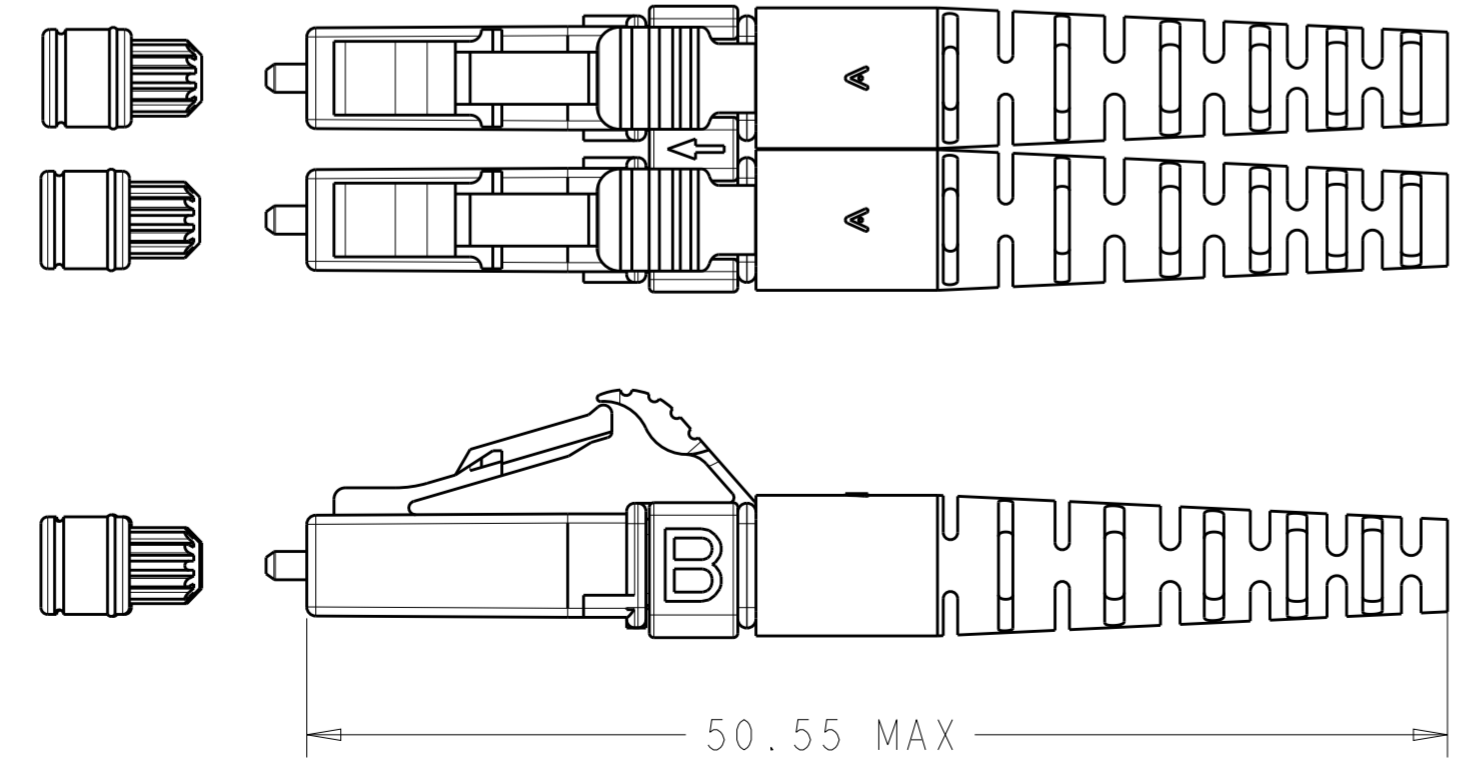
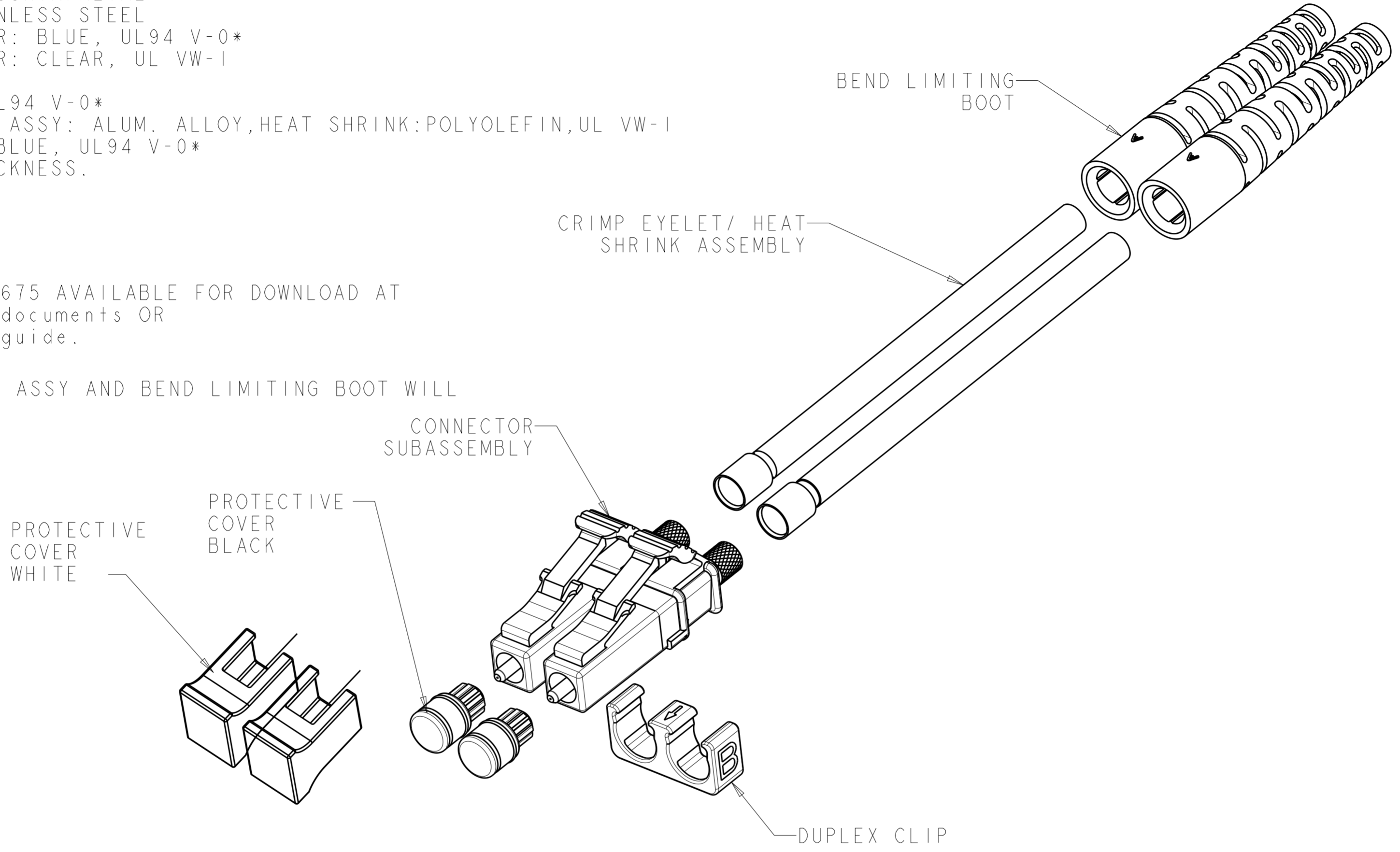
LOC	DIST	REVISIONS			
P	LTR	DESCRIPTION	DATE	DWN	APVD
HG	-	G	REV PER ECR-10-009660	02JUN2010	IL CT
		H	REV PER ECR-12-013668	31JUL2012	KZ RZ
		J	REV PER ECR-12-016587	24SEP2012	SW RZ
		J1	ADD DASH -5	14JAN2013	SW RZ

- 1 MATERIAL
 PROTECTIVE COVER: TPE, COLOR: BLACK, UL94 HB*
 OR PP800F-T3AS, COLOR: WHITE, UL94-V0*
 FERRULE SUBASSEMBLY: ZIRCONIA/METAL
 COMPRESSION SPRING: STAINLESS STEEL
 FRONT HOUSING: PEI, COLOR: BLUE, UL94 V-0*
 INNER TUBING: PTFE, COLOR: CLEAR, UL VW-1
 REAR BODY: METAL
 BOOT: PP, COLOR: BLUE, UL94 V-0*
 CRIMP EYELET/HEAT SHRINK ASSY: ALUM. ALLOY, HEAT SHRINK: POLYOLEFIN, UL VW-1
 DUPLEX CLIP: PP, COLOR: BLUE, UL94 V-0*
 *RATED AT QUALIFYING THICKNESS.

2 BULK PACKAGED.

3. INSTRUCTION SHEET: 408-8675 AVAILABLE FOR DOWNLOAD AT
www.tycoelectronics.com/documents OR
www.ampnetconnect.com/foguide.

4 CRIMP EYELET/HEAT SHRINK ASSY AND BEND LIMITING BOOT WILL NOT BE INCLUDED IN -5.



4	2	BLACK	N/A	1919372-5
	2	WHITE	YELLOW	1919372-4
	2	BLACK	YELLOW/WHITE	1918372-3
	2	BLACK	YELLOW	1918372-2
	2	BLACK	YELLOW	1918372-1
		DUST COVER COLOR	HEAT SHRINK COLOR	PART NUMBER

THIS DRAWING IS A CONTROLLED DOCUMENT.

DWN	B. BRIGGS	24APR2006	TE Connectivity
CHK	D. ROHDE	24APR2006	
APVD	D. BAECHTLE	24APR2006	
PRODUCT SPEC			
NAME KIT, CONNECTOR, LC, DUPLEX, SM, 1.6-2.0mm JACKET			
DIMENSIONS: mm 0 PLC ± 1 PLC ± 2 PLC ± 3 PLC ± 4 PLC ± ANGLES ± FINISH			SIZE A2
MATERIAL 1			CAGE CODE -
APPLICATION SPEC -			DRAWING NO C-1918372
WEIGHT -			RESTRICTED TO -
CUSTOMER DRAWING			SCALE 3:1 SHEET 1 OF 1 REV J1

单击下面可查看定价，库存，交付和生命周期等信息

[>>TE Connectivity\(泰科\)](#)