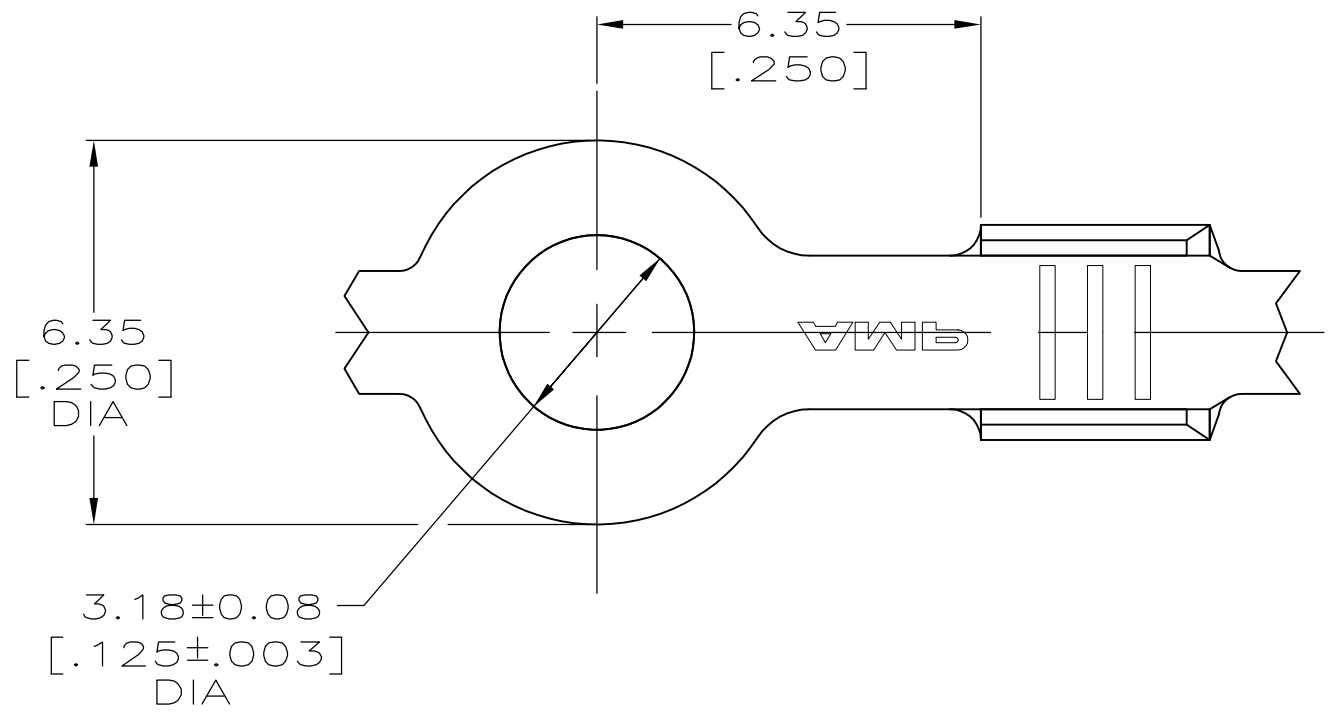
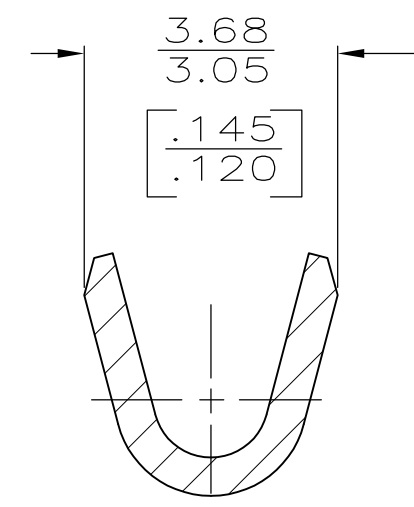
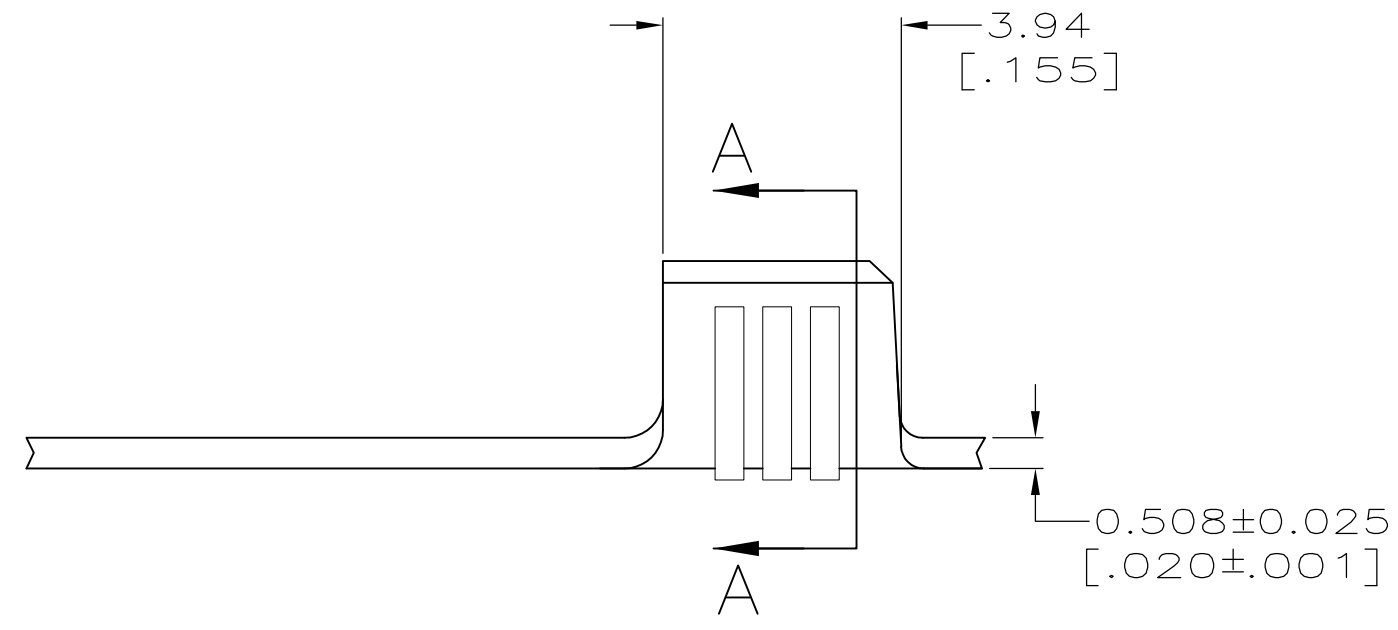


THIS DRAWING IS UNPUBLISHED. RELEASED FOR PUBLICATION  
 © COPYRIGHT BY TYCO ELECTRONICS CORPORATION. ALL INTERNATIONAL RIGHTS RESERVED.

LOC	DIST	REVISIONS					
AF	50	P	LTR	DESCRIPTION	DATE	DWN	APVD
		T		REVISED PER ECR-10-006099	07JUL10	HMR	PD



1 CONTINUOUS STRIP ON REEL.



SECTION A-A  
SCALE 10:1

OBSOLETE	H02 PHOS BRZ	[22-16] AWG	42185-3
	082 BRASS		42185-2
	MATERIAL	WIRE RANGE	PART NUMBER

THIS DRAWING IS A CONTROLLED DOCUMENT.		DWN PHILLIP M FORTNEY 11/FEB/97	Tyco Electronics Corporation Harrisburg, PA 17105-3608												
DIMENSIONS: mm [INCHES]		CHK JEFF R RUTH 11/FEB/97	NAME												
TOLERANCES UNLESS OTHERWISE SPECIFIED:		APVD GARY YETTER 11/FEB/97	PRODUCT SPEC												
<table border="0"> <tr><td>0 PLC</td><td>± -</td></tr> <tr><td>1 PLC</td><td>± -</td></tr> <tr><td>2 PLC</td><td>± 0.25 [.010]</td></tr> <tr><td>3 PLC</td><td>± -</td></tr> <tr><td>4 PLC</td><td>± -</td></tr> <tr><td>ANGLES</td><td>± -</td></tr> </table>		0 PLC	± -	1 PLC	± -	2 PLC	± 0.25 [.010]	3 PLC	± -	4 PLC	± -	ANGLES	± -	APPLICATION SPEC	
0 PLC	± -														
1 PLC	± -														
2 PLC	± 0.25 [.010]														
3 PLC	± -														
4 PLC	± -														
ANGLES	± -														
MATERIAL SEE TABLE	FINISH TIN	WEIGHT -	SIZE A3	CAGE CODE 00779											
CUSTOMER DRAWING			DRAWING NO C-42185	RESTRICTED TO -											
			SCALE 8:1	SHEET 1 OF 1											
			REV T												

单击下面可查看定价，库存，交付和生命周期等信息

[>>TE Connectivity\(泰科\)](#)