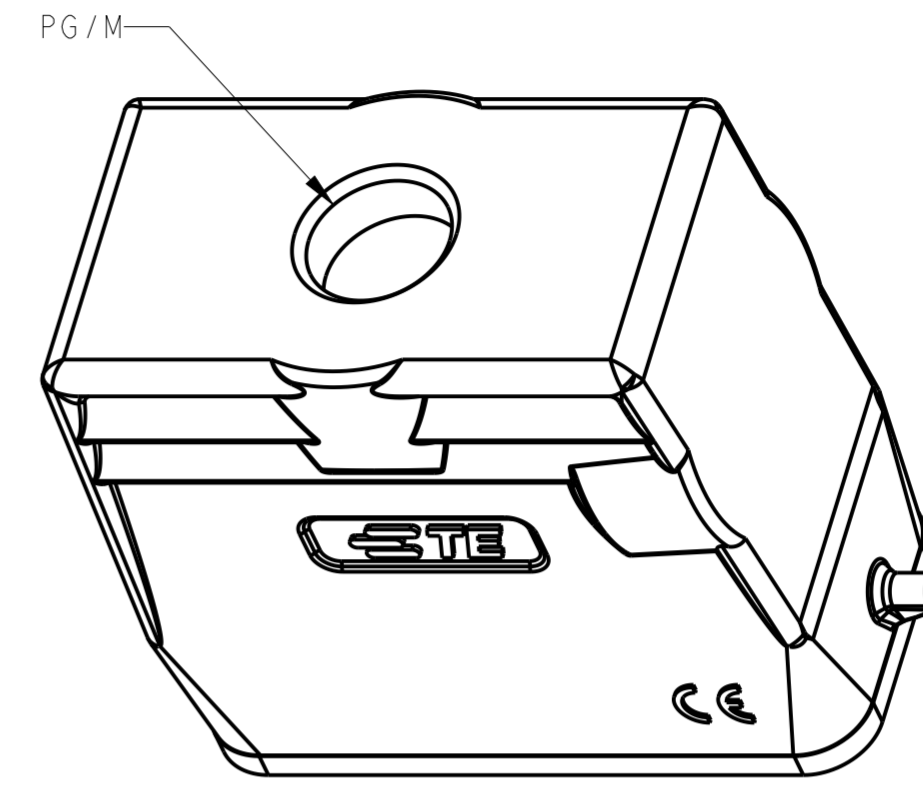
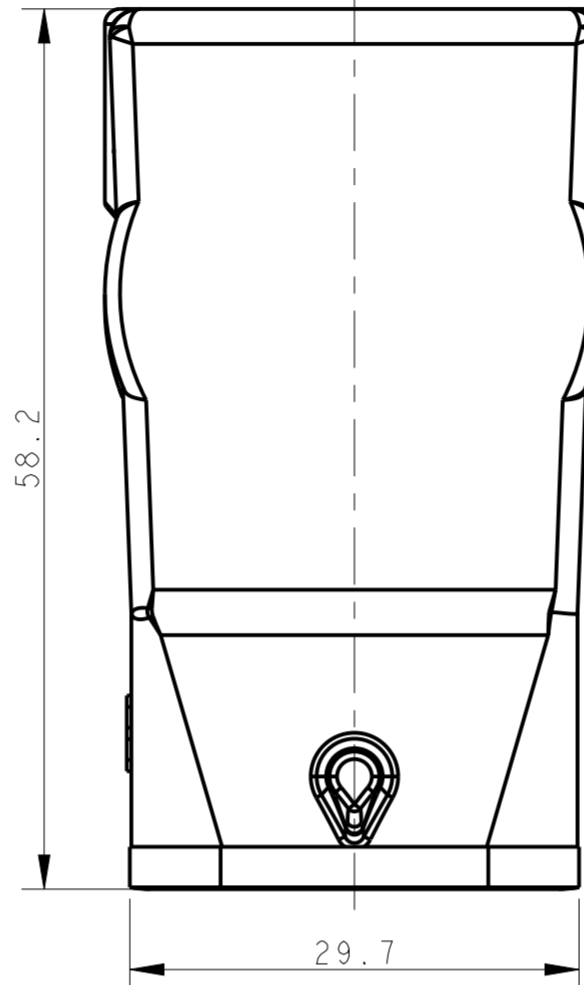
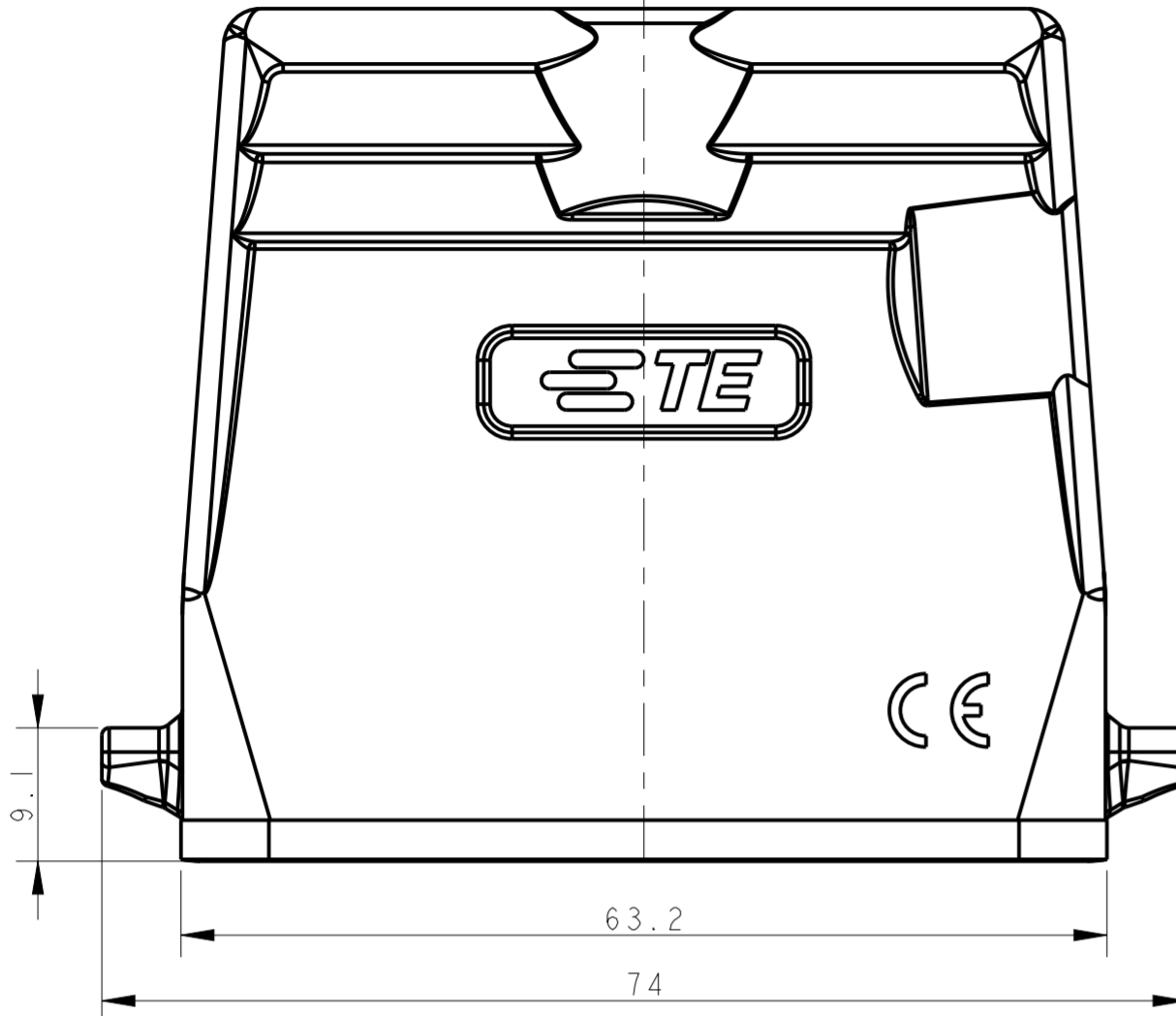


THIS DRAWING IS UNPUBLISHED. RELEASED FOR PUBLICATION 20
 © COPYRIGHT 20 BY - ALL RIGHTS RESERVED.

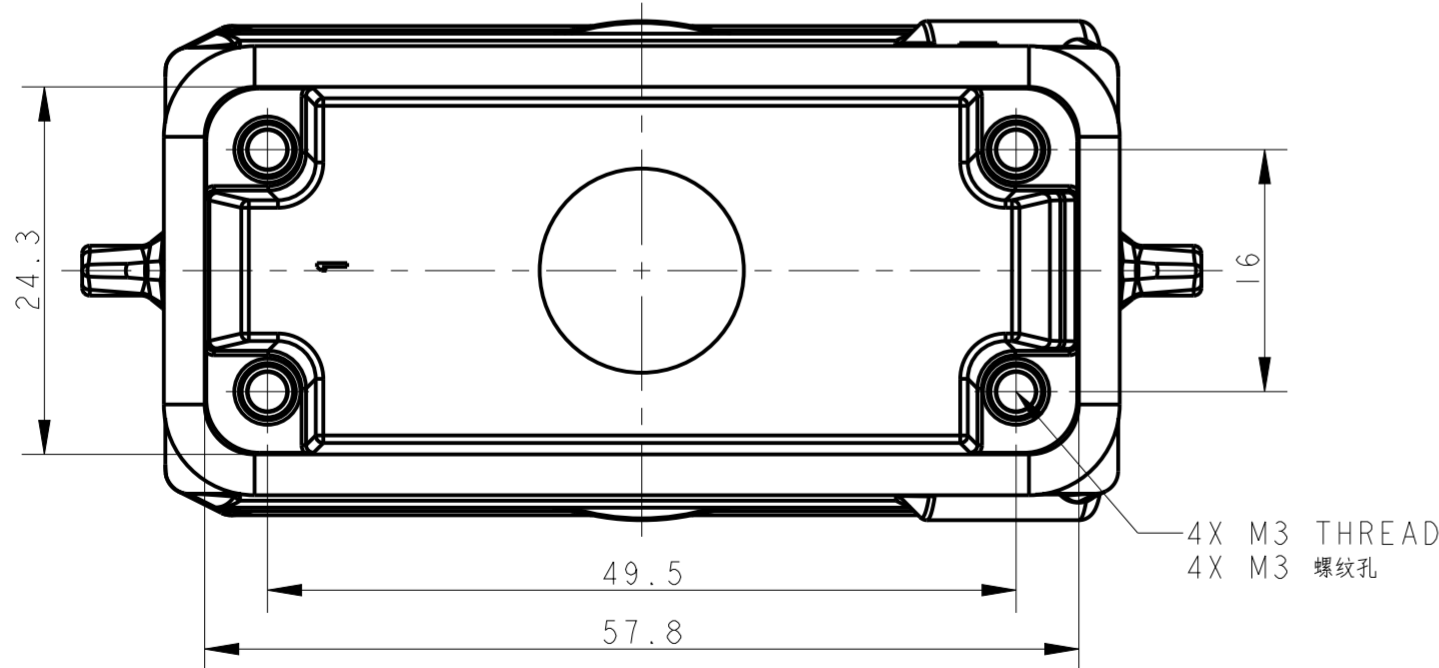
| REVISIONS | | | | |
|-----------|-----|------------------|-----------|-------|
| P | LTR | DESCRIPTION | DATE | APVD |
| A | | INITIAL RELEASE | 05MAY2015 | DL XX |
| AI | | ECR-18-008950 | 10AUG2018 | KW CW |
| B | | C-TI32910X1XXX00 | 14DEC2020 | BS CW |



SCALE 3:2

NOTES:
 1. TECHNICAL CHARACTERISTICS:
 BODY MATERIAL: DIE CAST ALUMINIUM ALLOY
 SURFACE TREATMENT: POWDER-COATED, GRAY
 DEGREE OF PROTECTION: IP65 (MATED)

注释:
 1. 技术参数:
 主体材料: 铝合金
 表面处理: 粉末喷涂, 灰色
 防护等级: IP65(配合)



| | | | |
|-------------------|------------------------|---|------------------------|
| T1329100113-000 | H10A-TG-PG13.5 | H10A HOOD, TOP ENTRY PG13.5, 2 EAR, POWDER COATED, GREY H10A上壳, 顶出PG13.5, 2耳, 灰色粉末喷涂 | PG13.5 |
| T1329100116-000 | H10A-TG-PG16 | H10A HOOD, TOP ENTRY PG16, 2 EAR, POWDER COATED, GREY H10A上壳, 顶出PG16, 2耳, 灰色粉末喷涂 | PG16 |
| T1329100116-100 | H10A-TG-M16 | H10A HOOD, TOP ENTRY M16, 2 EAR, POWDER COATED, GREY H10A上壳, 顶出M16, 2耳, 灰色粉末喷涂 | M16 |
| T1329100120-000 | H10A-TG-M20 | H10A HOOD, TOP ENTRY M20, 2 EAR, POWDER COATED, GREY H10A上壳, 顶出M20, 2耳, 灰色粉末喷涂 | M20 |
| T1329100121-000 | H10A-TG-PG21 | H10A HOOD, TOP ENTRY PG21, 2 EAR, POWDER COATED, GREY H10A上壳, 顶出PG21, 2耳, 灰色粉末喷涂 | PG21 |
| T1329100125-000 | H10A-TG-M25 | H10A HOOD, TOP ENTRY M25, 2 EAR, POWDER COATED, GREY H10A上壳, 顶出M25, 2耳, 灰色粉末喷涂 | M25 |
| T1329107112-000 | H10A-TG-NPT1/2 | H10A HOOD, TOP ENTRY NPT1/2, 2 EAR, POWDER COATED, GREY H10A上壳, 顶出NPT1/2, 2耳, 灰色粉末喷涂 | NPT1/2 |
| PART NUMBER 料号 | PART DESCRIPTION 描述 | | PG/M THREAD PG/M 螺纹 |

THIS DRAWING IS A CONTROLLED DOCUMENT.

DWN DAVID LI 05MAY2015
 CHK CHRIS WANG 05MAY2015
 APVD XU XIANG 05MAY2015

STE TE Connectivity

NAME H10A-TG-PG/M

PRODUCT SPEC 108-137010
 APPLICATION SPEC 114-137010

SIZE A2 CAGE CODE - DRAWING NO. C-TI32910X1XXX00 RESTRICTED TO

MATERIAL - TOLERANCES UNLESS OTHERWISE SPECIFIED: 0 PLC ±, 1 PLC ±, 2 PLC ±, 3 PLC ±, 4 PLC ±, ANGLES ±, FINISH -

WEIGHT -

CUSTOMER DRAWING SCALE 2:1 SHEET 1 OF 1 REV B

单击下面可查看定价，库存，交付和生命周期等信息

[>>TE Connectivity\(泰科\)](#)