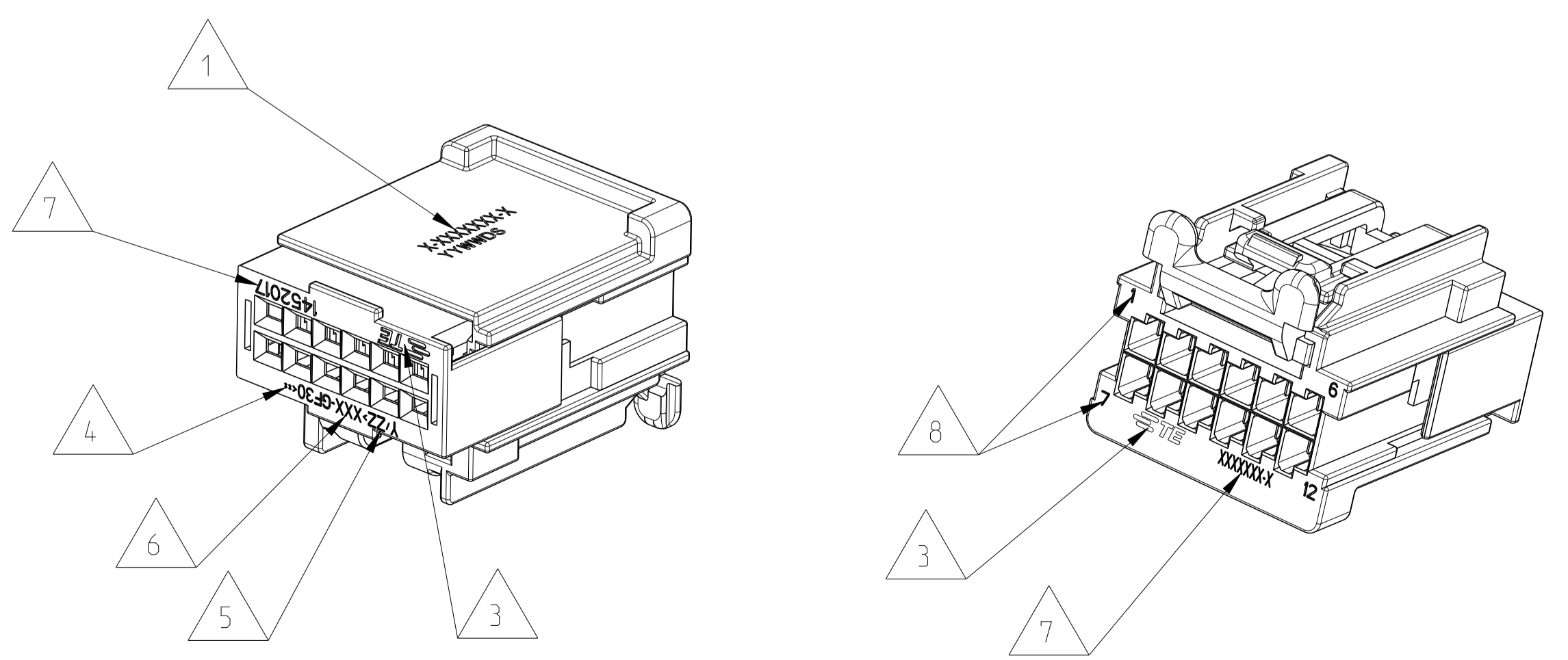
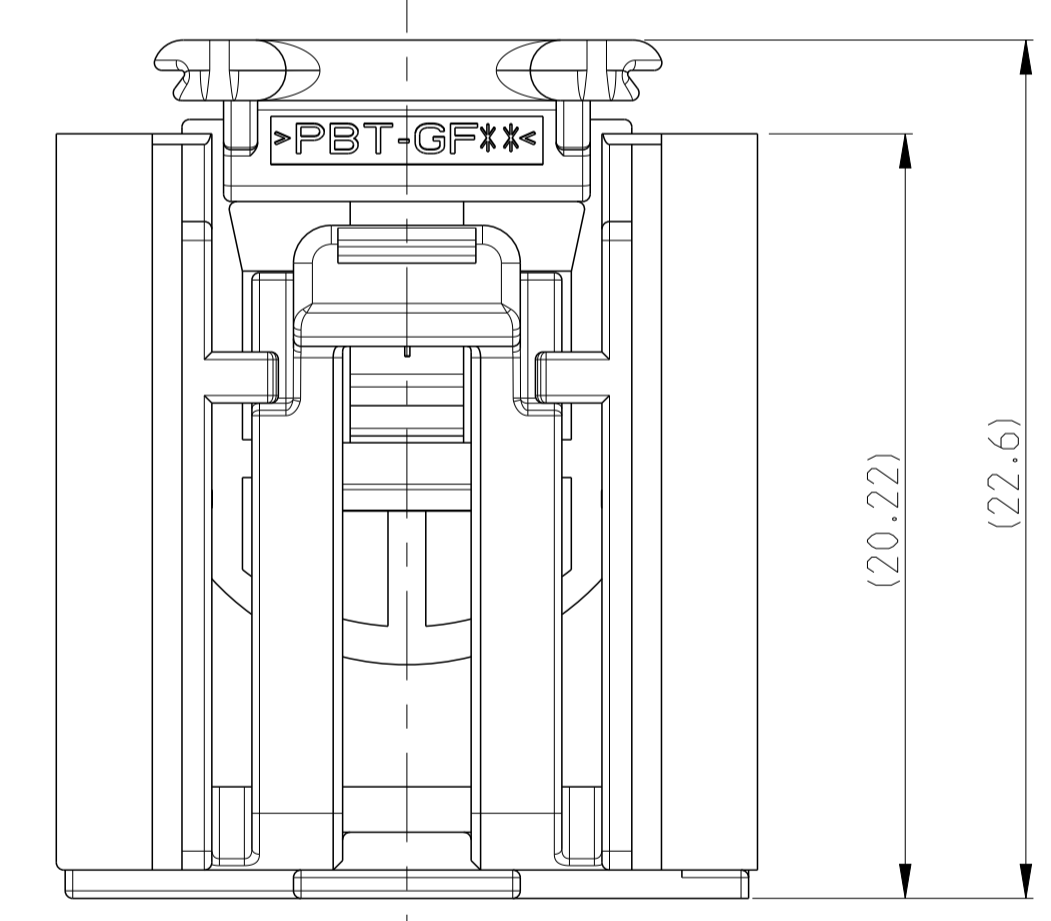
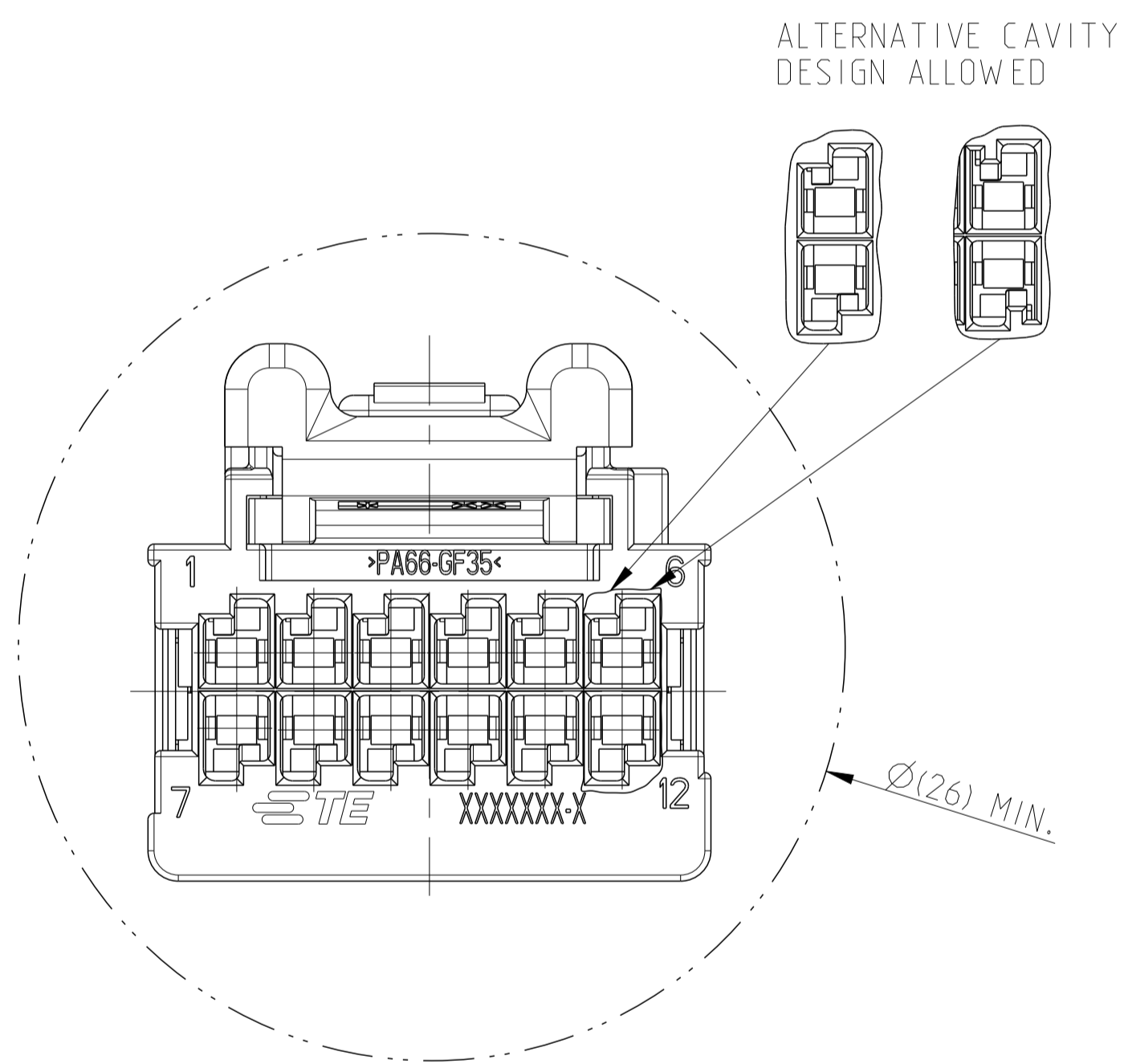
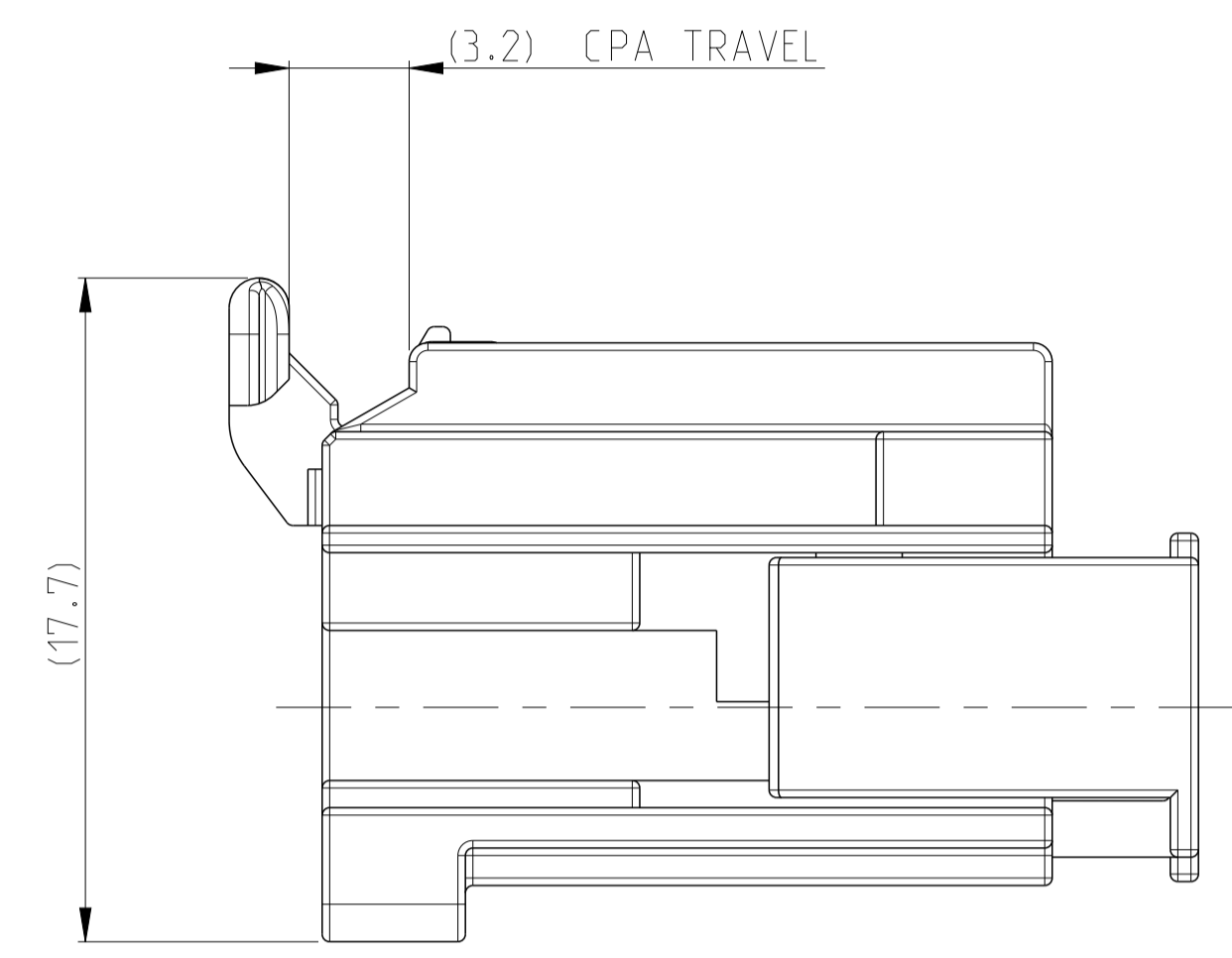
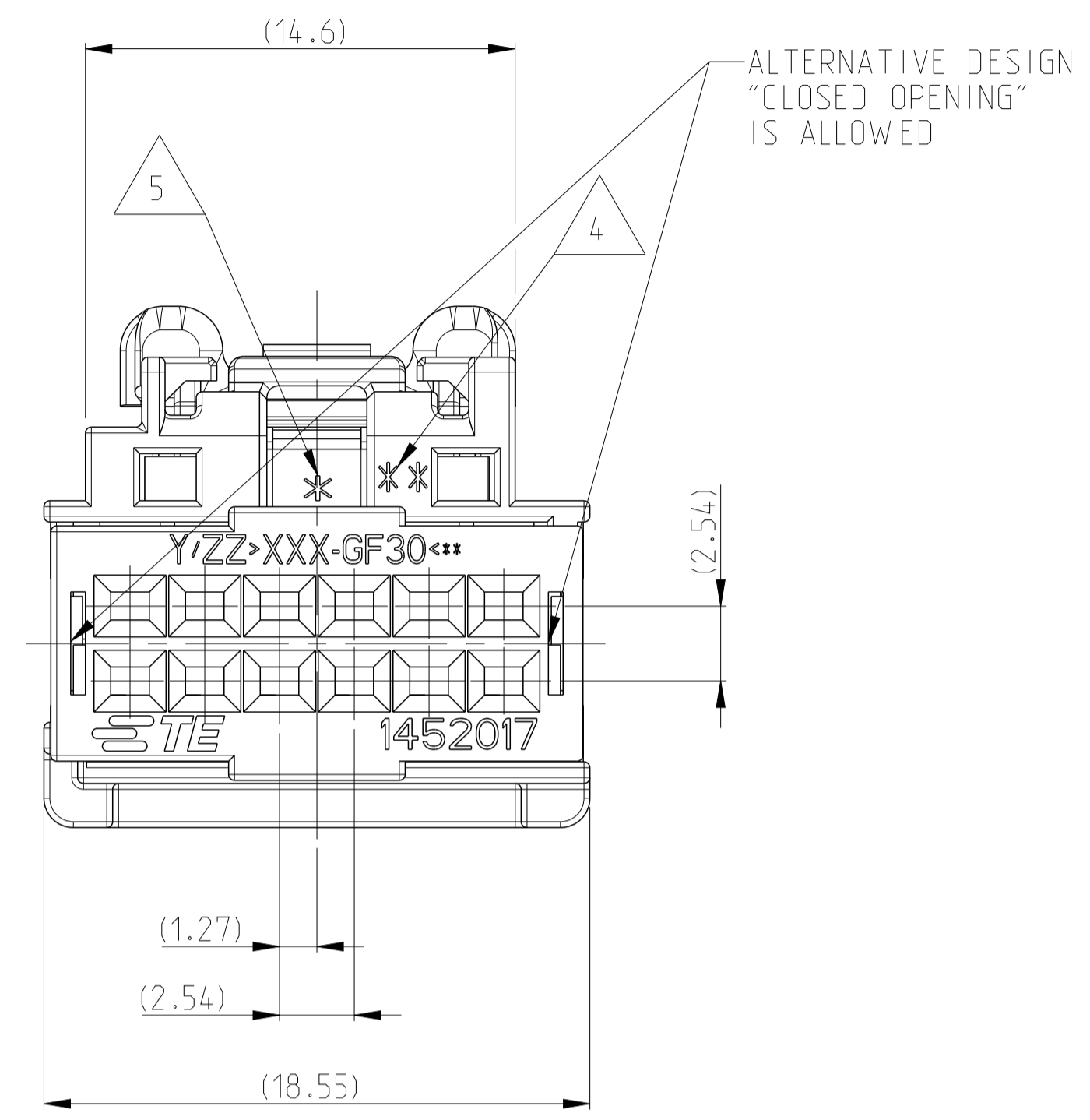
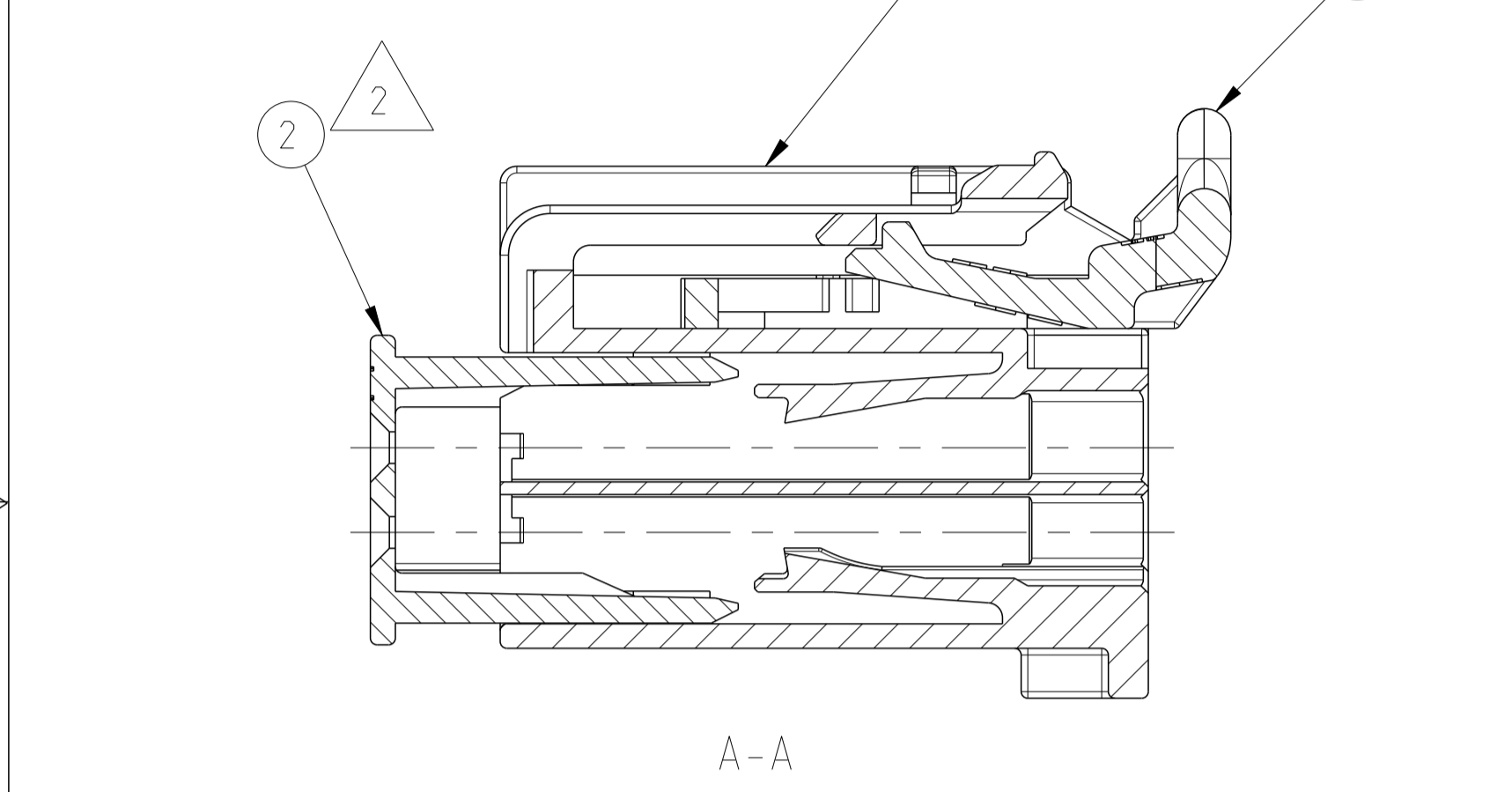
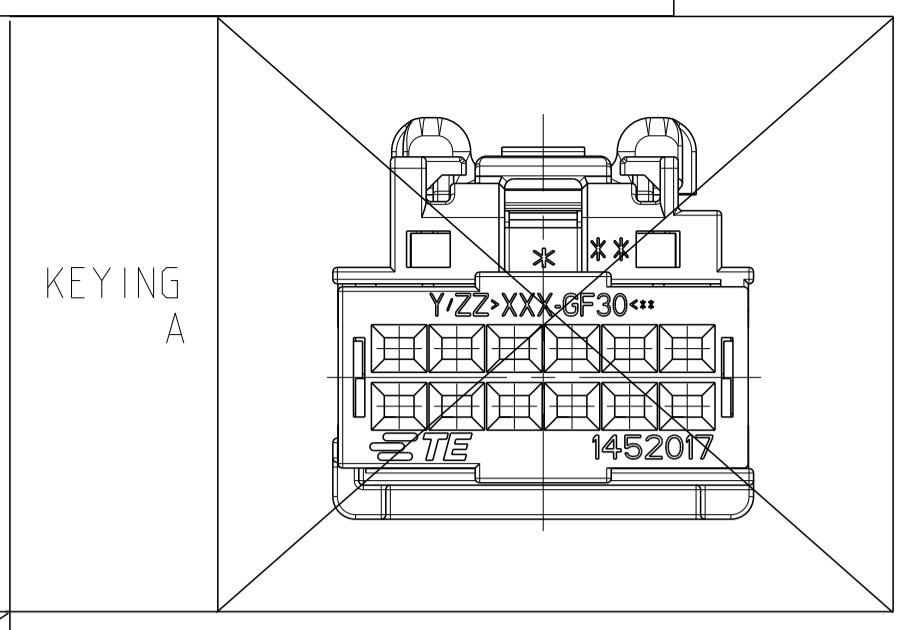
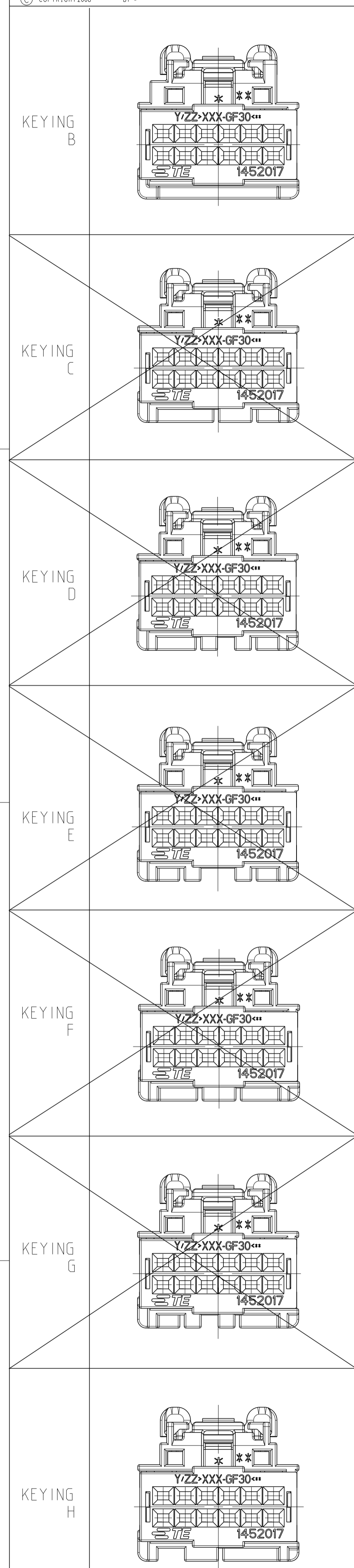


REVISIONS				
P.	LTH	DESCRIPTION	DATE	APPV
G2		SEE ECR-13-018050	19NOV2013	MS GS
G3		ECR-14-009941	02JUL2014	SS GS



ALTERNATIVE DESIGN "CLOSED OPENING" IS ALLOWED

ALTERNATIVE CAVITY DESIGN ALLOWED

NOTES

- 1 TE-ORDER NUMBER AND TRACEABILITY
- 2 SPACER AND CPA (OPTIONAL) ARE SHIPPED IN PRE-ASSEMBLED POSITIONS
- 3 COMPANY LOGO (OPTIONAL)
- 4 PRODUCT REVISIONS LEVEL
- 5 TOOL NUMBER (OPTIONAL), CAVITY NUMBER
- 6 MATERIAL IDENTIFICATION
- 7 PART NUMBER
- 8 TERMINAL POSITION NUMBERS LOCATED AS SHOWN
- 9 PACKAGING: LAYER PACKED IN CONUGATED BOXES
- 10 1-1452015-2 IS SHOWN

TE-ORDER-NUMBER	KEYING OPTIONS								CPA	PBT-GF20	RED	3																																																																																																																																														
	H	G	F	E	D	C	B	A																																																																																																																																																		
1-1452015-8																																																																																																																																																										
0-1452015-8																																																																																																																																																										
1-1452015-7																																																																																																																																																										
0-1452015-7																																																																																																																																																										
1-1452015-6																																																																																																																																																										
0-1452015-6																																																																																																																																																										
1-1452015-5																																																																																																																																																										
0-1452015-5																																																																																																																																																										
1-1452015-4																																																																																																																																																										
0-1452015-4																																																																																																																																																										
1-1452015-3																																																																																																																																																										
0-1452015-3																																																																																																																																																										
1-1452015-2																																																																																																																																																										
0-1452015-2																																																																																																																																																										
1-1452015-1																																																																																																																																																										
0-1452015-1																																																																																																																																																										
<table border="1"> <thead> <tr> <th>ASSY REV</th> <th>H</th> <th>G</th> <th>F</th> <th>E</th> <th>D</th> <th>C</th> <th>B</th> <th>A</th> <th>CPA</th> <th>PBT-GF30</th> <th>RED</th> <th>2</th> </tr> </thead> <tbody> <tr> <td>1</td> <td>1</td> <td>1</td> <td>1</td> <td>1</td> <td>1</td> <td>1</td> <td>1</td> <td>1</td> <td></td> <td></td> <td></td> <td></td> </tr> <tr> <td>1</td> <td>1</td> <td>1</td> <td>1</td> <td>1</td> <td>1</td> <td>1</td> <td>1</td> <td>1</td> <td></td> <td></td> <td></td> <td></td> </tr> <tr> <td>1</td> <td>1</td> <td></td> <td></td> <td></td> <td></td> <td></td> <td></td> <td></td> <td>FEMALE HOUSING KEY H</td> <td>PA66-GF35</td> <td>BLACK</td> <td>1</td> </tr> <tr> <td></td> <td></td> <td>1</td> <td></td> <td></td> <td></td> <td></td> <td></td> <td></td> <td>FEMALE HOUSING KEY G</td> <td>PA66-GF35</td> <td>BLACK</td> <td>1</td> </tr> <tr> <td></td> <td></td> <td></td> <td>1</td> <td></td> <td></td> <td></td> <td></td> <td></td> <td>FEMALE HOUSING KEY F</td> <td>PA66-GF35</td> <td>BLACK</td> <td>1</td> </tr> <tr> <td></td> <td></td> <td></td> <td></td> <td>1</td> <td>1</td> <td></td> <td></td> <td></td> <td>FEMALE HOUSING KEY E</td> <td>PA66-GF35</td> <td>BLACK</td> <td>1</td> </tr> <tr> <td></td> <td></td> <td></td> <td></td> <td></td> <td>1</td> <td>1</td> <td></td> <td></td> <td>FEMALE HOUSING KEY D</td> <td>PA66-GF35</td> <td>BLACK</td> <td>1</td> </tr> <tr> <td></td> <td></td> <td></td> <td></td> <td></td> <td></td> <td>1</td> <td>1</td> <td></td> <td>FEMALE HOUSING KEY C</td> <td>PA66-GF35</td> <td>BLACK</td> <td>1</td> </tr> <tr> <td></td> <td></td> <td></td> <td></td> <td></td> <td></td> <td></td> <td>1</td> <td>1</td> <td>FEMALE HOUSING KEY B</td> <td>PA66-GF35</td> <td>BLACK</td> <td>1</td> </tr> <tr> <td></td> <td></td> <td></td> <td></td> <td></td> <td></td> <td></td> <td></td> <td>1</td> <td>FEMALE HOUSING KEY A</td> <td>PA66-GF35</td> <td>BLACK</td> <td>1</td> </tr> </tbody> </table>												ASSY REV	H	G	F	E	D	C	B	A	CPA	PBT-GF30	RED	2	1	1	1	1	1	1	1	1	1					1	1	1	1	1	1	1	1	1					1	1								FEMALE HOUSING KEY H	PA66-GF35	BLACK	1			1							FEMALE HOUSING KEY G	PA66-GF35	BLACK	1				1						FEMALE HOUSING KEY F	PA66-GF35	BLACK	1					1	1				FEMALE HOUSING KEY E	PA66-GF35	BLACK	1						1	1			FEMALE HOUSING KEY D	PA66-GF35	BLACK	1							1	1		FEMALE HOUSING KEY C	PA66-GF35	BLACK	1								1	1	FEMALE HOUSING KEY B	PA66-GF35	BLACK	1									1	FEMALE HOUSING KEY A	PA66-GF35	BLACK	1
ASSY REV	H	G	F	E	D	C	B	A	CPA	PBT-GF30	RED	2																																																																																																																																														
1	1	1	1	1	1	1	1	1																																																																																																																																																		
1	1	1	1	1	1	1	1	1																																																																																																																																																		
1	1								FEMALE HOUSING KEY H	PA66-GF35	BLACK	1																																																																																																																																														
		1							FEMALE HOUSING KEY G	PA66-GF35	BLACK	1																																																																																																																																														
			1						FEMALE HOUSING KEY F	PA66-GF35	BLACK	1																																																																																																																																														
				1	1				FEMALE HOUSING KEY E	PA66-GF35	BLACK	1																																																																																																																																														
					1	1			FEMALE HOUSING KEY D	PA66-GF35	BLACK	1																																																																																																																																														
						1	1		FEMALE HOUSING KEY C	PA66-GF35	BLACK	1																																																																																																																																														
							1	1	FEMALE HOUSING KEY B	PA66-GF35	BLACK	1																																																																																																																																														
								1	FEMALE HOUSING KEY A	PA66-GF35	BLACK	1																																																																																																																																														

THIS DRAWING IS A CONTROLLED DOCUMENT. DIMENSIONS: mm. TOLERANCES UNLESS OTHERWISE SPECIFIED: 0 PLC # # # # #, 1 PLC # # # # #, 2 PLC # # # # #, 3 PLC # # # # #, 4 PLC # # # # #, ANGLES # # # # #. MATERIAL: -. FINISH: -. WEIGHT: -. Customer Drawing.

OWN: B.van Sebroeck, 21SEP2000. CHK: B.van Sebroeck, 23MAR2001. APVD: B.van Sebroeck. NAME: GET SOCKET HOUSING, 2x6POS. GET Buchsenhaeuse, 2x6pos. PRODUCT SPEC: -. APPLICATION SPEC: -. SIZE: A1. CAGE CODE: 00779. DRAWING NO: C=1452015. RESTRICTED TO: -. SCALE: 5:1. SHEET: 1 OF 1. REV: G3.

单击下面可查看定价，库存，交付和生命周期等信息

[>>TE Connectivity\(泰科\)](#)