

THIS DRAWING IS UNPUBLISHED.

RELEASED FOR PUBLICATION

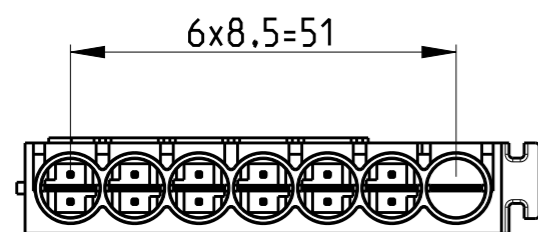
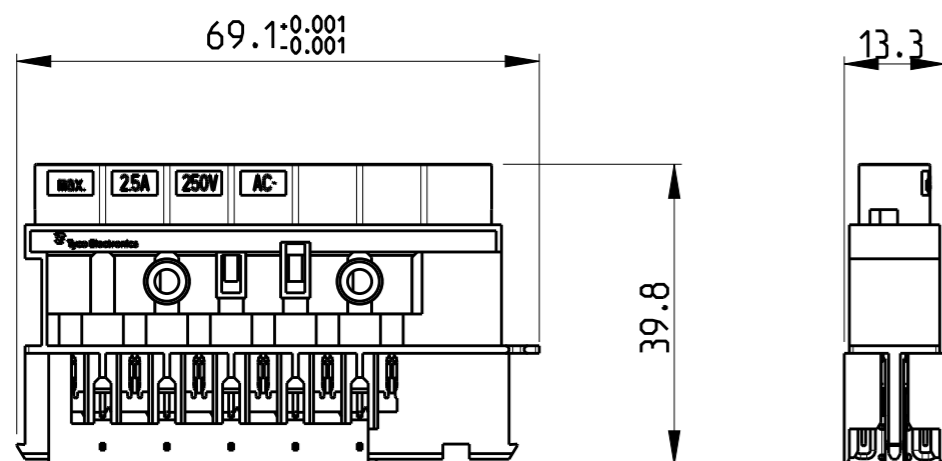
2006

© COPYRIGHT 2006 BY -

ALL RIGHTS RESERVED.

REVISIONS

P	LTR	DESCRIPTION	DATE	DWN	APVD
D		ECR-17-003481	10MAY2017	SK	PO
D1		ECR-18-015176	05OCT2018	GCM	MZ
D2		ADDED PN 1--2	15OCT2018	MZ	MZ
D3		PN 1--2 RELEASED FOR PRODUCTION	07NOV2018	MZ	MZ



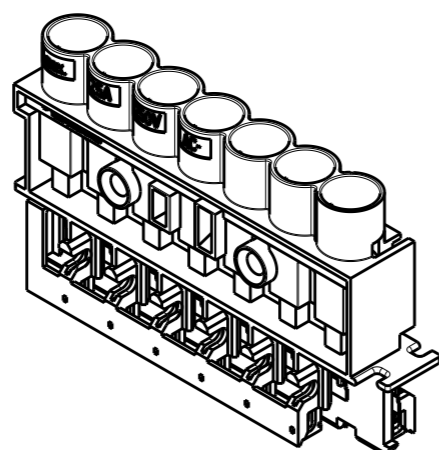
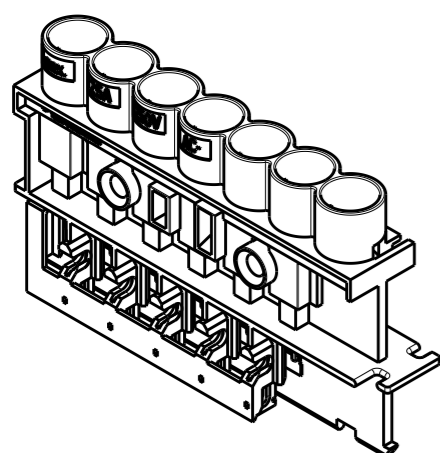
NOTES:

- PARTS PRELOADED WITH CONTACTS
- MATERIAL HOUSING: PA6/WEIGHT ~11 g
MATERIAL CONTACTS: CuNiSi/WEIGHT ~2.8 g
- FOR 7 POS. VERSION ADD CODING RING PN 1740316-1

△ OBSOLETE

6 POS VERSION AS SHOWN

7-POS VERSION FOR SWITCH APPLICATION AS SHOWN ABOVE



1:1

	LV-2 (6x)	1-1740317-2	A	BLACK (ANTHRACITE)	DISTRIBUTOR 6 POS. 7A/125V DC
△ 4	HV-2 (1X) LV-2 (6x)	1-1740317-1	B	YELLOW	DISTRIBUTOR 7 POS. 7A/125V DC
	LV-2 (6x)	0-1740317-9	B	YELLOW	DISTRIBUTOR 6 POS. 7A/125V DC
△ 4	HV-2 (1X) LV-1 (6x)	0-1740317-8	B	LIGHT GREY	DISTRIBUTOR 7 POS. 7A/125V AC
	LV-1 (6x)	0-1740317-7	B	LIGHT GREY	DISTRIBUTOR 6 POS. 7A/125V AC
△ 4	HV-2 (1X) HV-3 (6x)	0-1740317-6	B	BLUE	DISTRIBUTOR 7 POS. 6A/125V AC
△ 4	HV-3 (6x)	0-1740317-5	B	BLUE	DISTRIBUTOR 6 POS. 6A/125V AC
△ 4	HV-2 (1X) HV-1 (6x)	0-1740317-4	C	BLACK (ANTHRACITE)	DISTRIBUTOR 7 POS. 2.5A/250V AC
	HV-1 (6x)	0-1740317-3	C	BLACK (ANTHRACITE)	DISTRIBUTOR 6 POS. 2.5A/250V AC
	HV-2 (1X) HV-1 (6x)	0-1740317-2	C	WHITE	DISTRIBUTOR 7 POS. 2.5A/250V AC
	HV-1 (6x)	0-1740317-1	C	WHITE	DISTRIBUTOR 6 POS. 2.5A/250V AC
SWITCH WAY		ASS'Y PN	Rev.	COLOR	REMARKS
CODING					

THIS DRAWING IS A CONTROLLED DOCUMENT.

DWN	SKA	13APR2006
CHK	WH	13APR2006
APVD	TG	13APR2006



DIMENSIONS:	TOLERANCES UNLESS OTHERWISE SPECIFIED:
mm	
	0 PLC ±0.2
	1 PLC ±0.2
	2 PLC ±0.2
	3 PLC ±
	4 PLC ±
	ANGLES ±1°
MATERIAL	FINISH
-	-
-	-

PRODUCT SPEC	108-94019
APPLICATION SPEC	114-20139
WEIGHT	~13.8 g

NAME				7.5mm MiniHVL CONNECTOR SYSTEM CONTACT AND HOUSING ASSEMBLY 6 AND 7 POSITION	
SIZE	CAGE CODE	DRAWING NO	RESTRICTED TO		
A3	00779	C-1740317	-		
CUSTOMER DRAWING		SCALE	SHEET	OF	REV
		1:1	1	1	D3

单击下面可查看定价，库存，交付和生命周期等信息

[>>TE Connectivity\(泰科\)](#)