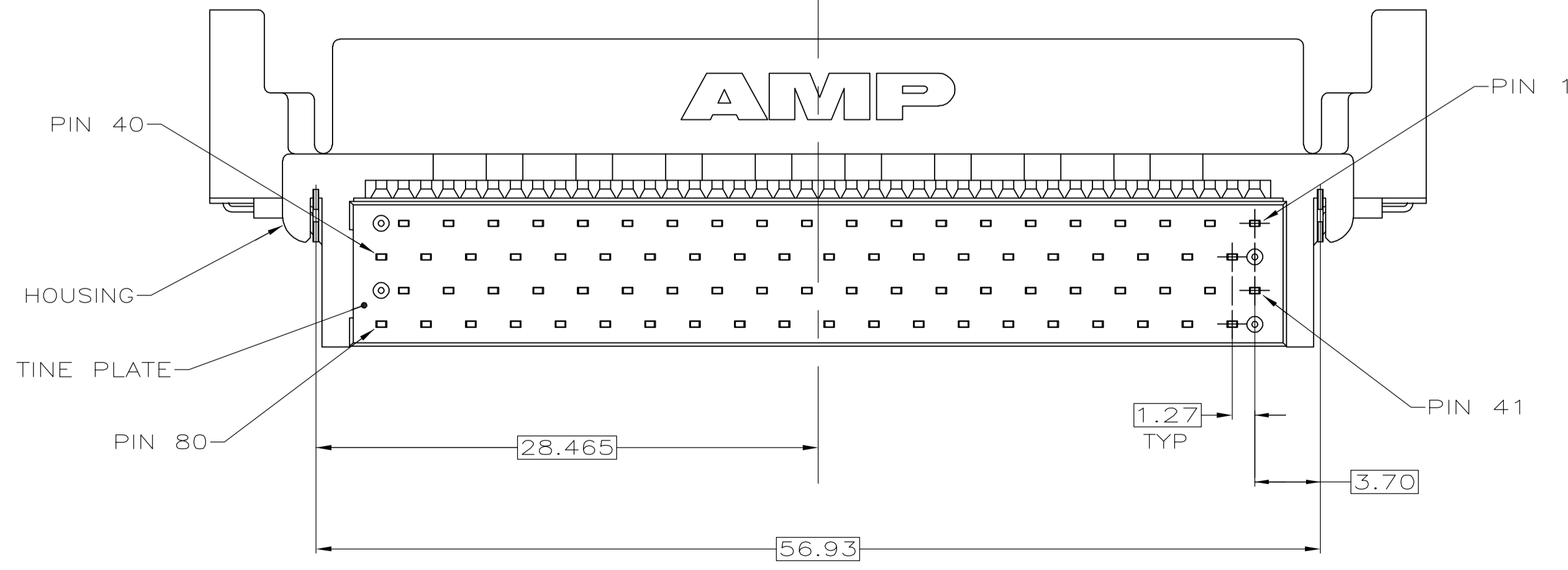
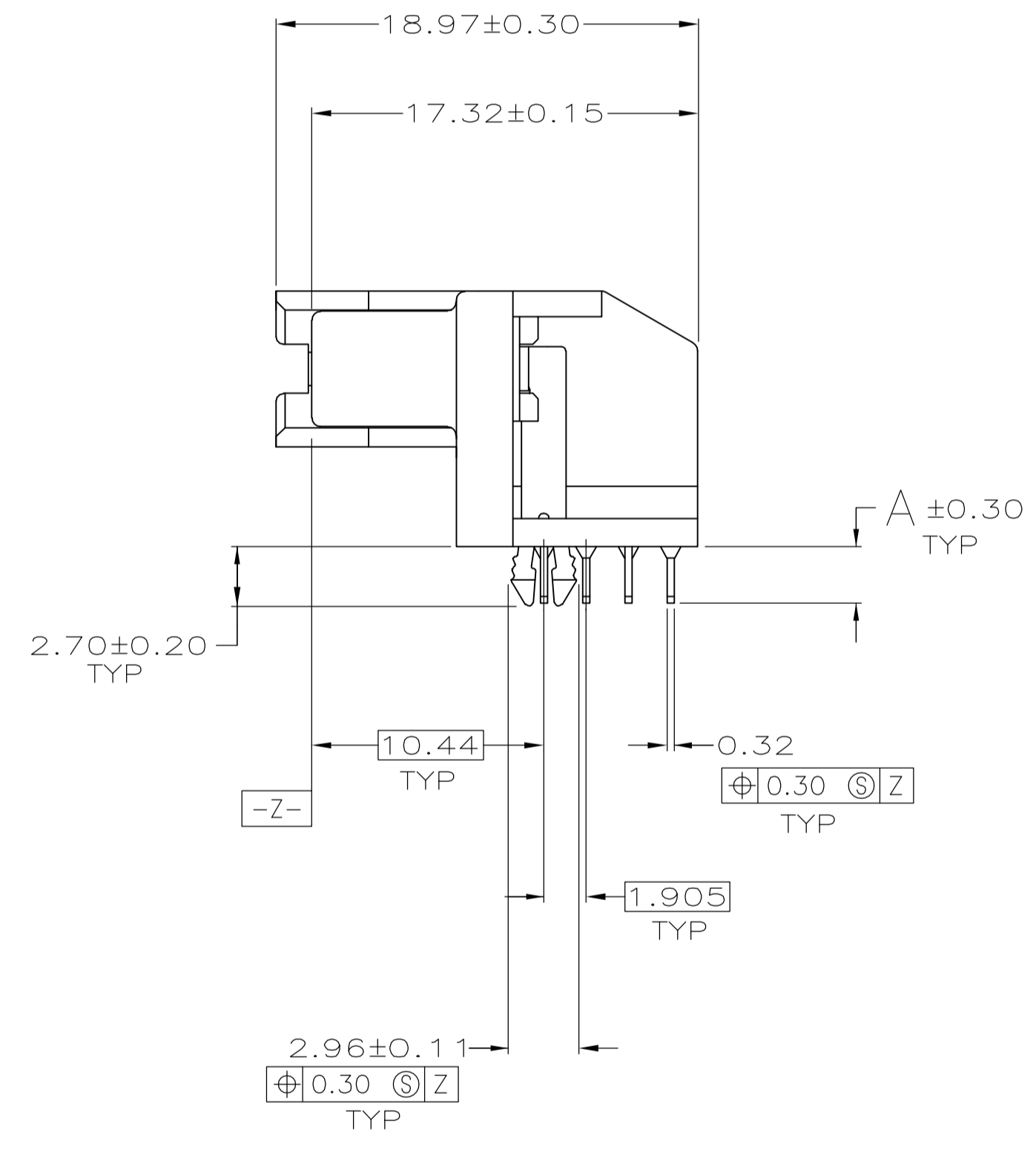
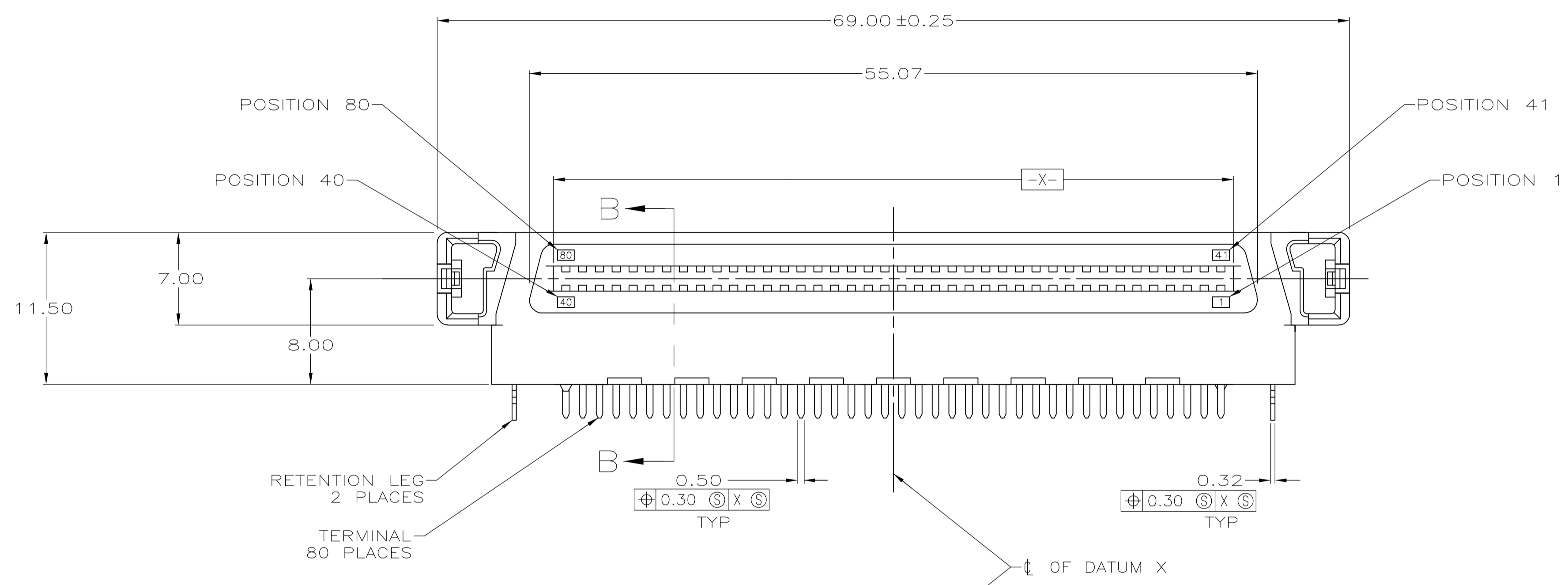
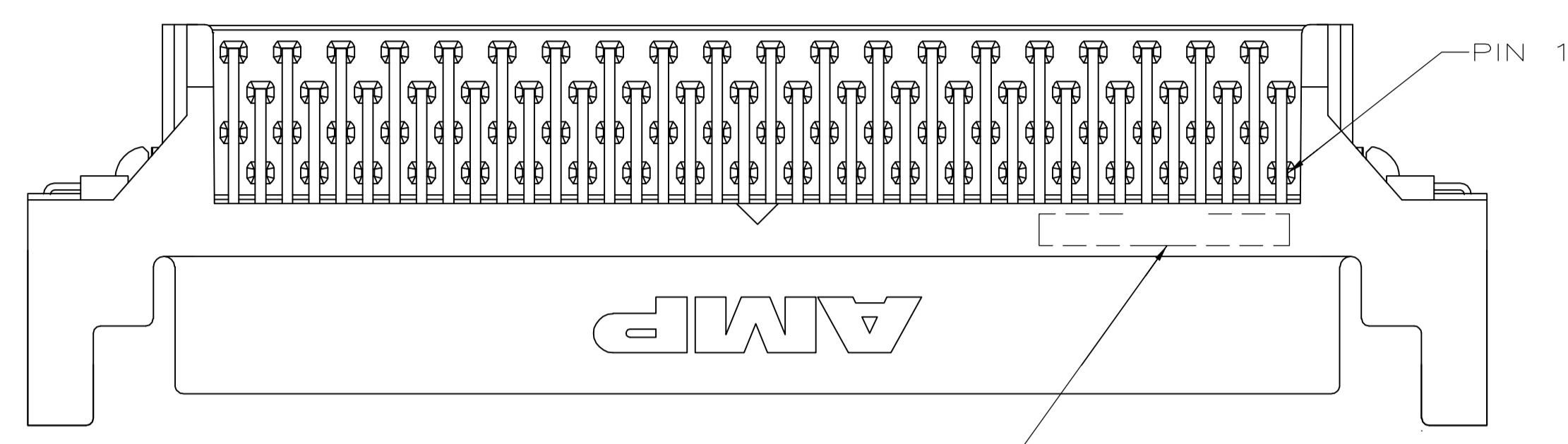


THIS DRAWING IS UNPUBLISHED. RELEASED FOR PUBLICATION. ALL RIGHTS RESERVED.  
 © COPYRIGHT BY TYCO ELECTRONICS CORPORATION.

LOC		DIST		REVISIONS			
P	LTR	DESCRIPTION	DATE	DWN	APPD	REV	REV
M	REV PER EC	OS13-0631-04	12MAY2005	EB	EB		

- △ HOUSING AND TINE PLATE: LCP, UL 94V-0 RATED, BLACK.  
TERMINALS: PHOSPHOR BRONZE.  
RETENTION LEGS: BRASS.
- △ TERMINALS: 0.76μm MIN GOLD FOR A LENGTH 1.20 MIN STARTING 0.50 MAX FROM MATING END, 3.81μm MIN TIN-LEAD FOR A LENGTH OF 3.40 MIN FROM OPPOSITE END, BOTH OVER 1.27μm MIN NICKEL.  
RETENTION LEGS: 3.81μm MIN TIN-LEAD OVER 1.27μm MIN NICKEL.
- △ CONNECTOR WILL ACCOMMODATE MATING PRINTED CIRCUIT BOARD OF 1.60±0.07.
- △ CONTACTS 1, 36 THRU 40, 41 THRU 43, 45, 46 AND 75 THRU 80 ARE POSITIONED TOWARD THE MATING FACE. (FIRST MATE)
- △ CONTACTS 2 THRU 35, 44, AND 47 THRU 74 ARE POSITIONED AWAY FROM THE MATING FACE. (SECOND MATE)
- △ TERMINALS: 0.76μm MIN GOLD FOR A LENGTH 1.20 MIN STARTING 0.50 MAX FROM MATING END, 3.81μm MIN TIN FOR A LENGTH OF 3.40 MIN FROM OPPOSITE END, BOTH OVER 1.27μm MIN NICKEL.  
RETENTION LEGS: 3.81μm MIN TIN OVER 1.27μm MIN NICKEL.



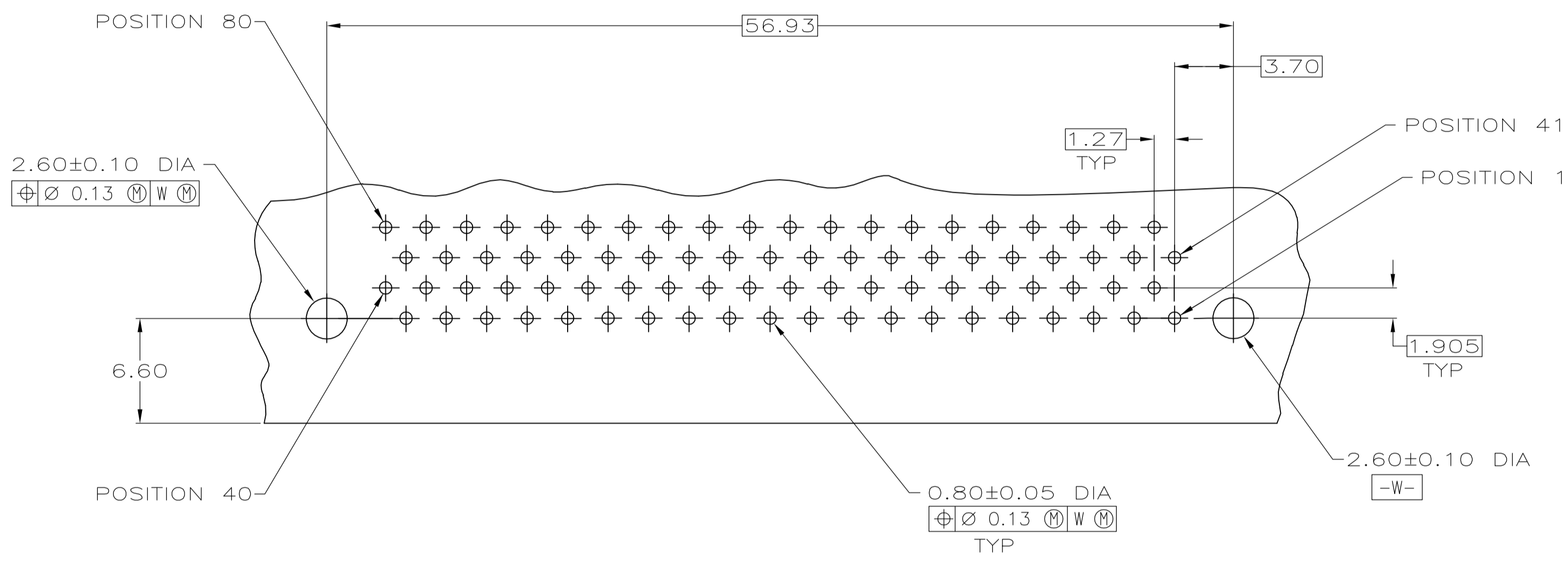
YES	△6	3.05	80	787535-4
YES	△6	2.54	80	787535-3
NO	△2	3.05	80	787535-2
NO	△2	2.54	80	787535-1
LEAD FREE	FINISH	A	NO OF POSN	PART NUMBER

THIS DRAWING IS A CONTROLLED DOCUMENT.

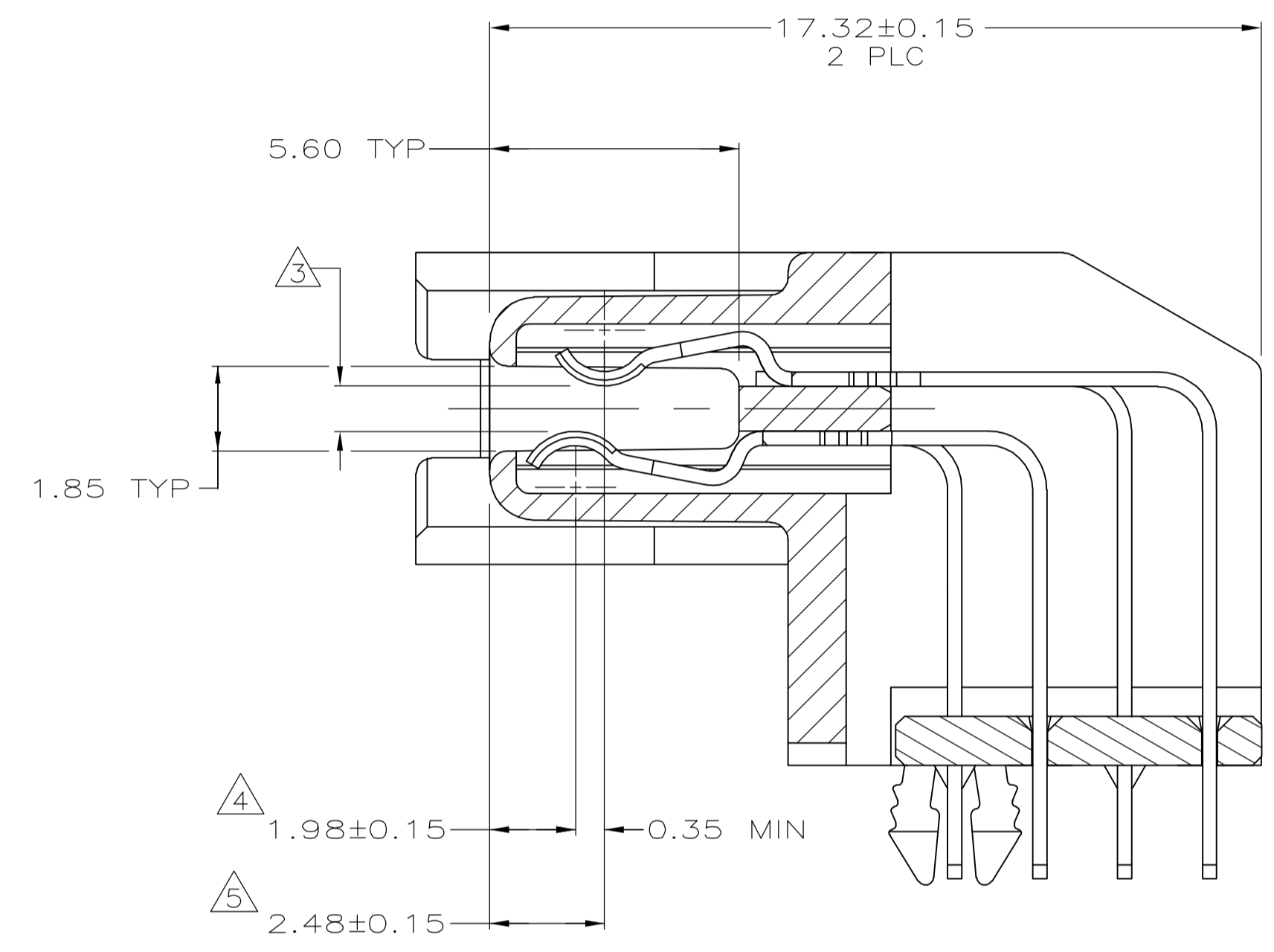
DIMENSIONS:	TOLERANCES UNLESS OTHERWISE SPECIFIED:	DWN: B. MCMASTER 29MAR04	tyco Electronics	Tyco Electronics Corporation
mm	0 PLC ± -	CHK: S. SHUEY 29MAR04		Harrisburg, Pa 17105-3608
	1 PLC ± -	APVD: M. WALMSLEY 29MAR04	NAME:	RECEPTACLE ASSEMBLY, RIGHT ANGLE, BOARD-TO-BOARD, .050, SERIES I, CHAMP BLINDMATE
	2 PLC ± 0.10		SIZE:	A1
	3 PLC ± -		CAGE CODE:	00779
	4 PLC ± -		DRAWING NO:	787535
	ANGLES ± -		RESTRICTED TO:	
MATERIAL:	SEE TABLE		SCALE:	4:1
			SHEET:	1 OF 2
			REV:	M

THIS DRAWING IS UNPUBLISHED. RELEASED FOR PUBLICATION. ALL RIGHTS RESERVED.  
 © COPYRIGHT BY TYCO ELECTRONICS CORPORATION.

LOC		DIST		REVISIONS			
P	LTR	DESCRIPTION	DATE	DWN	APVD		
GP	00	SEE SHEET 1	-	-	-		



RECOMMENDED PC BOARD MOUNTING DIMENSIONS COMPONENT SIDE



SECTION B-B SCALE 8:1

THIS DRAWING IS A CONTROLLED DOCUMENT.		DWN: B MCMMASTER 29MAR04		Tyco Electronics Corporation Harrisburg, Pa 17105-3608
DIMENSIONS: mm		CHK: S SHUEY 29MAR04		NAME: RECEPTACLE ASSEMBLY, RIGHT ANGLE, BOARD-TO-BOARD, .050, SERIES I, CHAMP BLINDMATE
TOLERANCES UNLESS OTHERWISE SPECIFIED: 0 PLC ± - 1 PLC ± - 2 PLC ± 0.10 3 PLC ± - 4 PLC ± - ANGLES ± -		APVD: M WALMSLEY 29MAR04	PRODUCT SPEC: 108-1548-2	RESTRICTED TO
MATERIAL: -		APPLICATION SPEC: 114-6061	SIZE: A1	WEIGHT: -
FINISH: -		CUSTOMER DRAWING	CAGE CODE: 00779	DRAWING NO: 787535
		SCALE: 4:1	SHEET: 2 OF 2	REV: M

单击下面可查看定价，库存，交付和生命周期等信息

[>>TE Connectivity\(泰科\)](#)