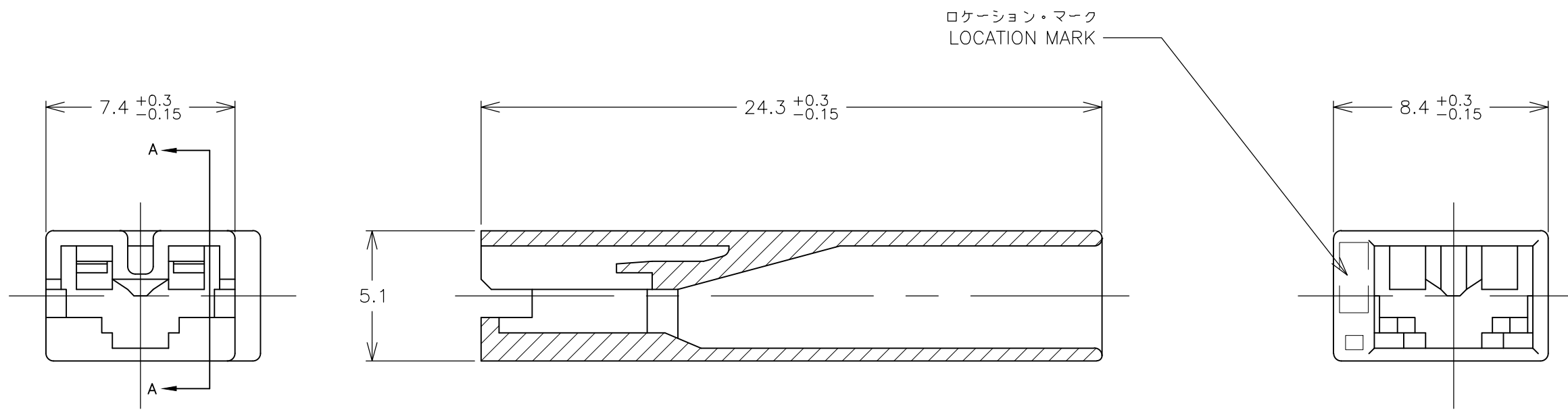


THIS DRAWING IS UNPUBLISHED. RELEASED FOR PUBLICATION FEB 2002.
 © COPYRIGHT 2002 By Tyco Electronics Japan G.K. ALL RIGHTS RESERVED.

REVISIONS 変更				
P	LTR	DESCRIPTION	DATE	APVD
	K8	REVISED PER ECR-19-002938	22FEB2019	BH E.W



断面 A-A
(SECT. A-A)

- 注；
- 適用製品規格；108-5126
 - 本ハウジングに適用するコンタクトは 170324,170325,170326である。
 - 適用タブ寸法については CP78-26022 を参照のこと。
- ④ 材料：6/6ナイロン(UL94V-0)
 - ⑤ 材料：4/6ナイロン(UL94V-2)
 - ⑥ 材料：6/6ナイロンガラス入り(UL94V-0)

- NOTES;
- PRODUCT SPECIFICATION ; 108-5126
 - APPLICABLE CONTACT
P/N; 170324,170325,170326
 - SEE CP78-26022,ABOUT APPLICABLE TAB.
- ④ MATERIAL:6/6NYLON(UL94V-0)
 - ⑤ MATERIAL:4/6NYLON(UL94V-2)
 - ⑥ MATERIAL:6/6NYLON GLASS FILLED(UL94V-0)
- △ COMPLY WITH GLOW WIRE REQUIREMENT FOR PARTS OF NON-METALLIC MATERIAL SUPPORTING A CURRENT - CARRYING CONNECTION DETAILED IN IEC 60335-1, SECTION 30 (GWT)
- ④ PRELIMINARY- NOT FOR PRODUCTION
 - ⑤ MATERIAL : PA66, UL 94 V-0, GWIT 775°C
 - ⑩ PARTS MAY APPEAR MEDIUM COLORED TO LIGHT COLORED AND EXHIBIT A MARBLING EFFECT.

	④	④	3-173974-7	RED
	⑩	④	3-173974-6	BLUE
	④	④	3-173974-1	NATURAL
OBSOLETE	④	④	7-173974-1	(NATURAL)自然色
	④		2-173974-6	(BLUE)青
OBSOLETE	④		2-173974-4	(YELLOW)黄
	④		2-173974-1	(NATURAL)自然色
	④		1-173974-1	(NATURAL)自然色
	④		173974-7	(RED)赤
	④		173974-6	(BLUE)青
	④		173974-5	(GREEN)緑
	④		173974-4	(YELLOW)黄
	④		173974-2	(BLACK)黒
	④		173974-1	(NATURAL)自然色
	材料 (MATERIAL)		型番 (P/N)	色調 (COLOR)

THIS DRAWING IS A CONTROLLED DOCUMENT.		DWN M.SUZUKI 06FEB2002	TE Connectivity Ltd.	
DIMENSIONS: 単位： 耗 mm		CHK M.SHINDO 06FEB2002		
TOLERANCES UNLESS OTHERWISE SPECIFIED: 一般公差		APVD M.SHINDO 06FEB2002	NAME 名称	
0 PLØ ± 1 PLC ± 2 PLC ± 0.3 3 PLC ± 4 PLØ ± ANGLES ± 3°		PRODUCT SPEC 製品規格 SEE NOTE 1	187 SERIES 1Pos. POSITIVE LOCK MARK-II HOUSING 187シリーズ 1極 ポジティブロック(マークII)ハウジング	
MATERIAL 材料 SEE TABLE		APPLICATION SPEC 取付適用規格	SIZE A3	CAGE CODE 00779
FINISH 仕上		WEIGHT	DRAWING NO 番号 C-173974	RESTRICTED TO
CUSTOMER DRAWING			SCALE 尺度 5:1	SHEET 1 OF 1
			REV K8	

单击下面可查看定价，库存，交付和生命周期等信息

[>>TE Connectivity\(泰科\)](#)