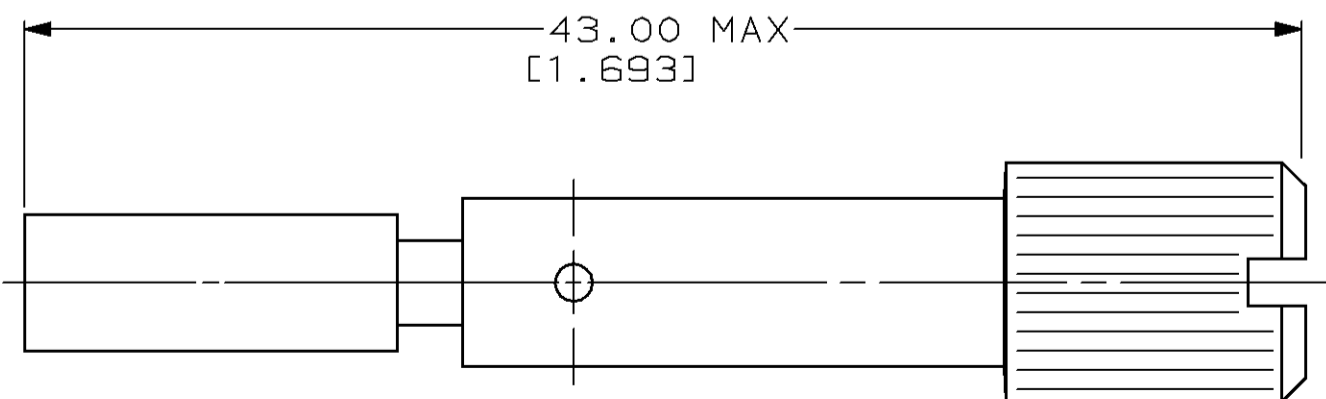
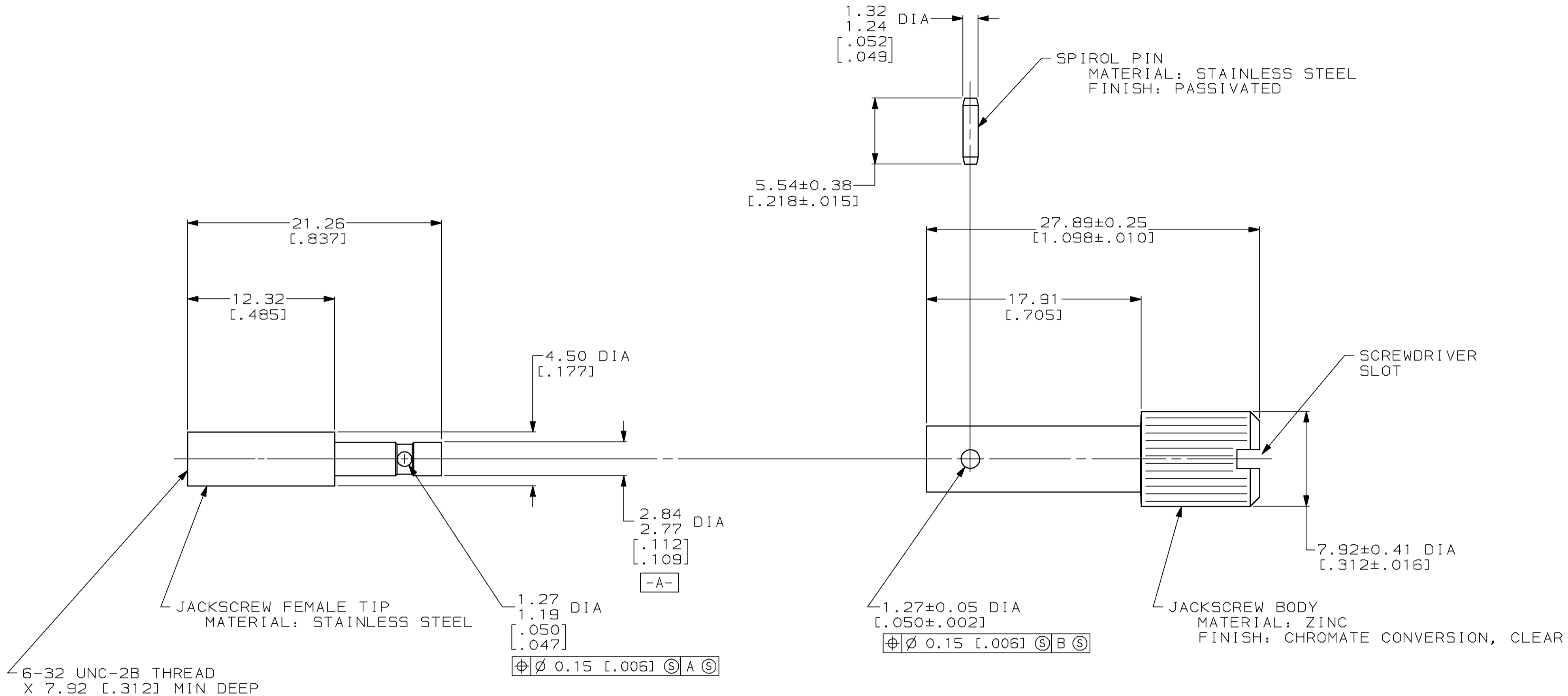


THIS DRAWING IS UNPUBLISHED. RELEASED FOR PUBLICATION  
 BY AMP INCORPORATED. ALL RIGHTS RESERVED.

LOC		DIST		REVISIONS			
P	LTR	DESCRIPTION	DATE	DWN	APVD		
BD	36	K	REDRAWN PER EC 0020-1346-95	14 DEC 95	-	-	



ASSEMBLED VIEW

201088-1  
PART NUMBER

<small>THIS DRAWING IS A CONTROLLED DOCUMENT FOR AMP INCORPORATED. IT IS SUBJECT TO CHANGE AND THE CONTROLLING ENGINEERING ORGANIZATION SHOULD BE CONTACTED FOR THE LATEST REVISION.</small>		DWN C. DORWART 14 DEC 95 CHK R. STONE 29 FEB 96 APVD G. STEINHAUER 07 MAR 96	<b>AMP</b> AMP Incorporated Harrisburg, PA 17105-3608
DIMENSIONS: mm 	TOLERANCES UNLESS OTHERWISE SPECIFIED: 0 PLC ±- 1 PLC ±- 2 PLC ±0.13 [.005] 3 PLC ±- 4 PLC ±- ANGLES ±- FINISH -	NAME PRODUCT SPEC APPLICATION SPEC WEIGHT CUSTOMER DRAWING	NAME SIZE CAGE CODE DRAWING NO SCALE SHEET OF REV
		NAME G. STEINHAUER	NAME FEMALE JACKSCREW KIT, UNASSEMBLED, SHORY, M SERIES
		WEIGHT -	SIZE A2 CAGE CODE 00779 DRAWING NO ©=201088
		SCALE 4:1	SHEET 1 OF 1 REV K

单击下面可查看定价，库存，交付和生命周期等信息

[>>TE Connectivity\(泰科\)](#)