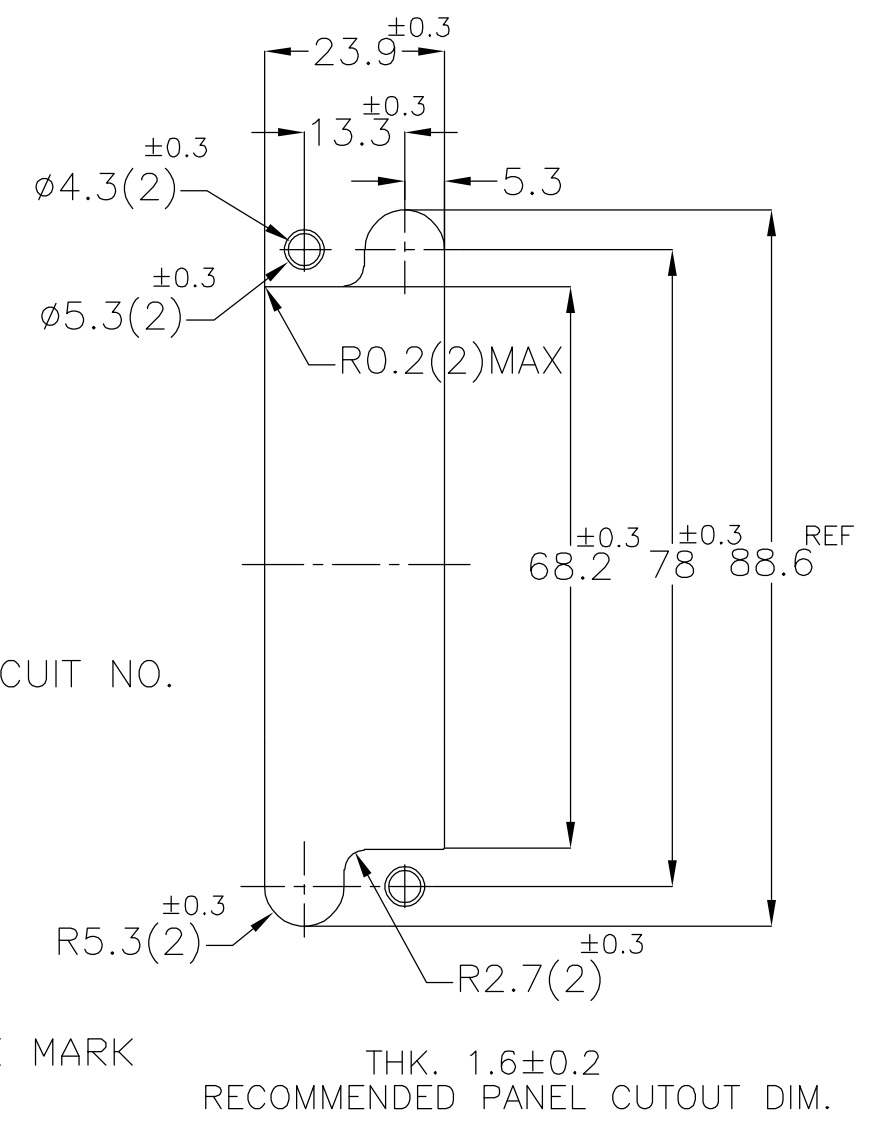
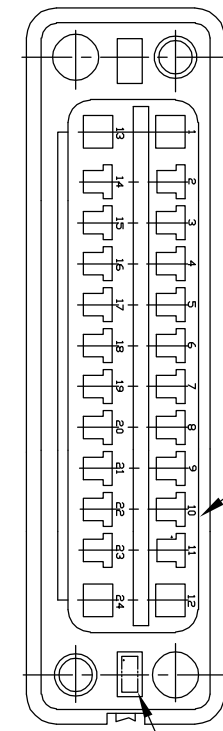
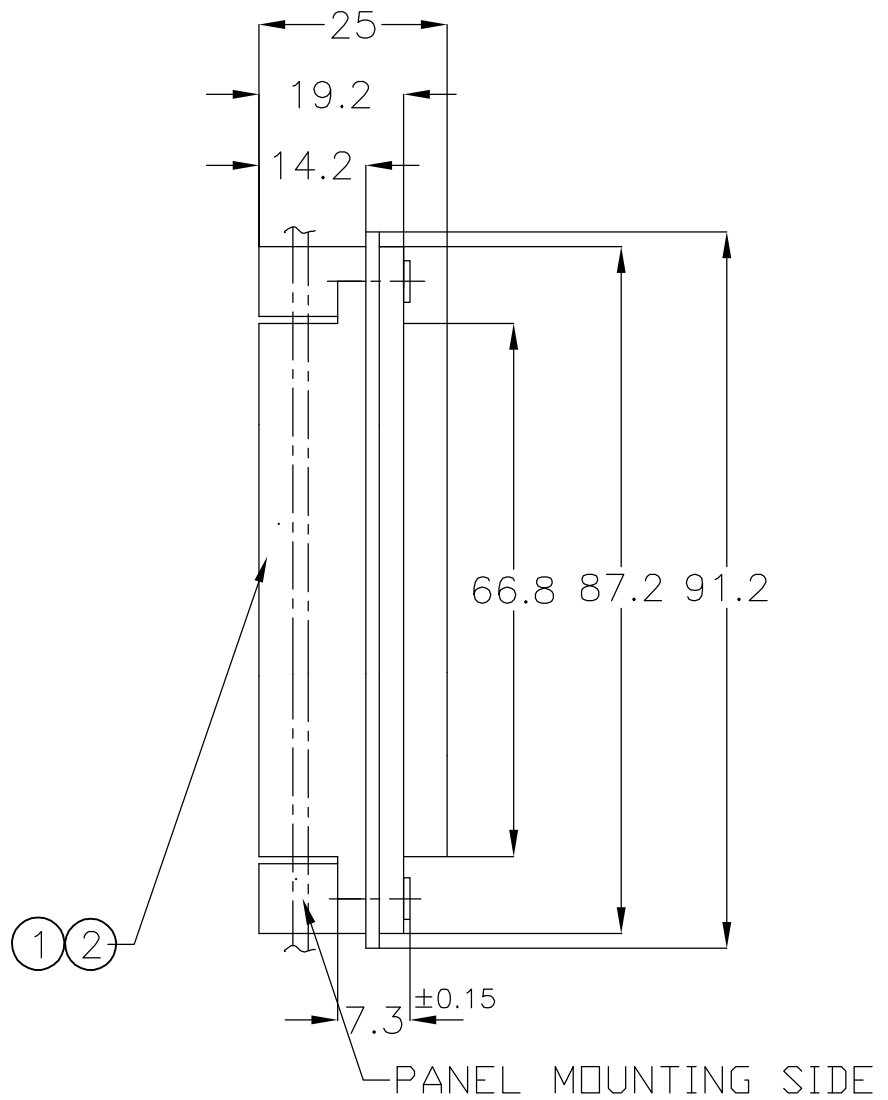
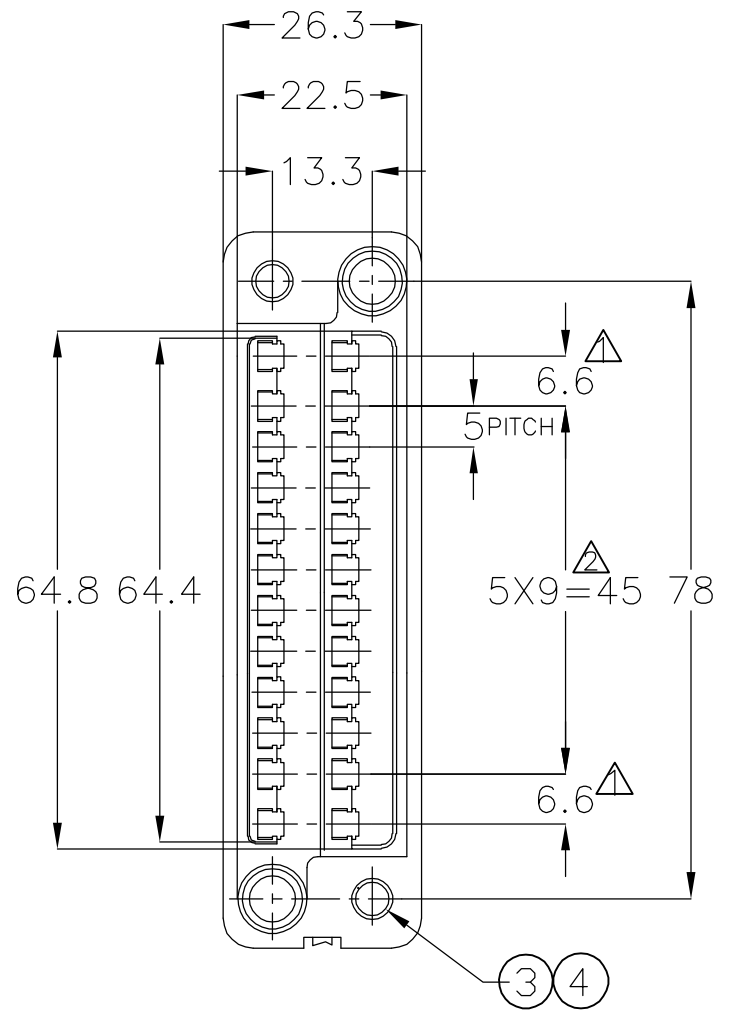


THIS DRAWING IS UNPUBLISHED. RELEASED FOR PUBLICATION
 © COPYRIGHT - BY TYCO ELECTRONICS CORPORATION. ALL RIGHTS RESERVED.

LOC	DIST	REVISIONS					
		P	LTR	DESCRIPTION	DATE	DWN	APVD
J	-	A	RELEASED	ECR-05-009552	26JUL05	C.Z	S.Y



NOTES:
 1. FOR POWER CURCUITS (4POS).
 2. FOR SIGNAL CURCUITS (20POS).
 3. ACCOMOMDATED CONTACTS ARE STRIP P/N 170311, 170312, 170484 L.P P/N 170313, 170314, 170485
 4. MALE HSG P/N IS 172624-1,-3.
 MATERIAL:
 HOUSING: PBT 94V-0
 BUSH: JIS H3250, C3602 BD-F
 FINISH:
 NICKEL PLATED PER AMP SPEC 112-25.

REV	NO	DESCRIPTION	DATE	BY	CHK
2	-	1-172065-3	25JUL05	C.ZHU	
-	2	1-172065-1	26JUL05	I.WANG	
1	-	172626-3	26JUL05	S.YAO	
-	1	172626-1			
-3	-1	NUMBER			

THIS DRAWING IS A CONTROLLED DOCUMENT.		DWN: 25JUL05 C.ZHU		Tyco Electronics AMP K.K.	
CHK: 26JUL05 I.WANG		APVD: 26JUL05 S.YAO		Kawasaki, Japan	
PRODUCT SPEC		APPLICATION SPEC		NAME: 24POS. FEMALE HSG ASS'Y DRAWER CONN.	
MATERIAL		WEIGHT		SIZE: A3 CAGE CODE: 00779 DRAWING NO: C-5172625	
CUSTOMER DRAWING		SCALE: 1:1		SHEET 1 OF 1 REV A	

单击下面可查看定价，库存，交付和生命周期等信息

[>>TE Connectivity\(泰科\)](#)