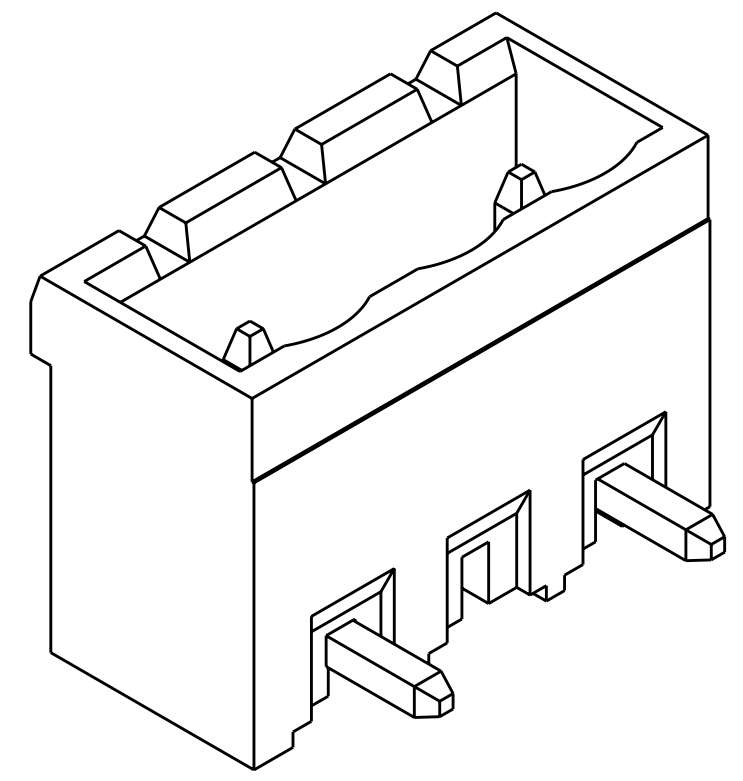
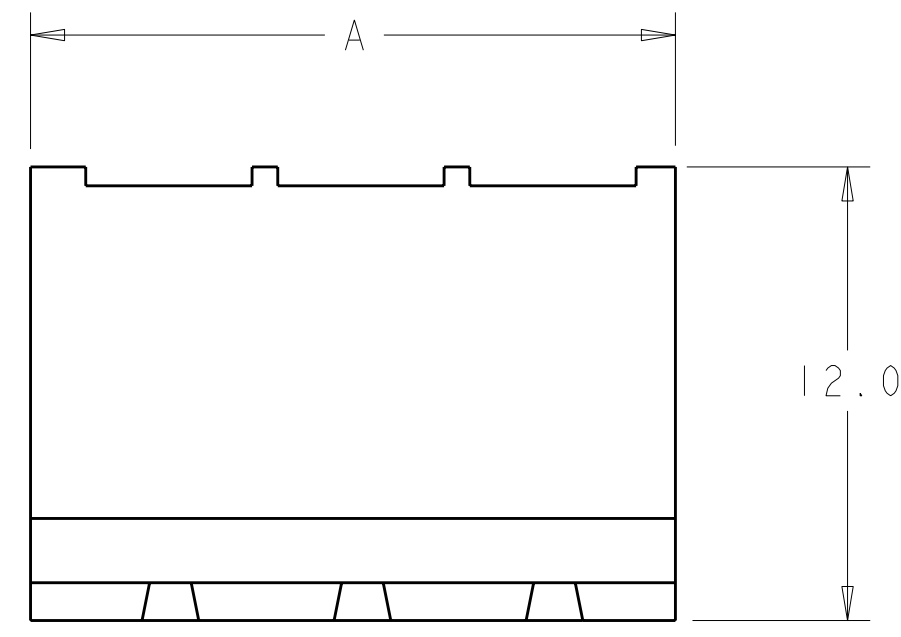


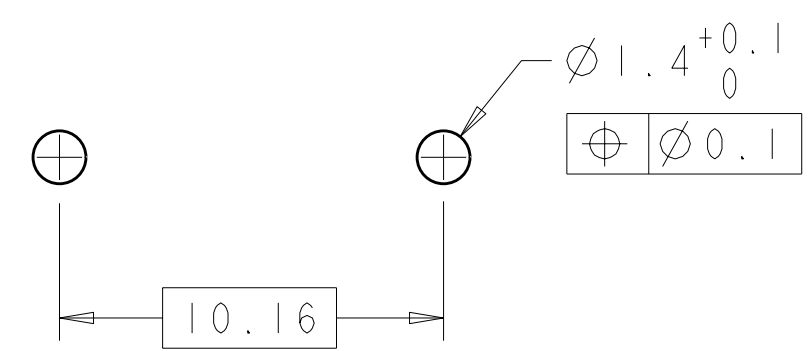
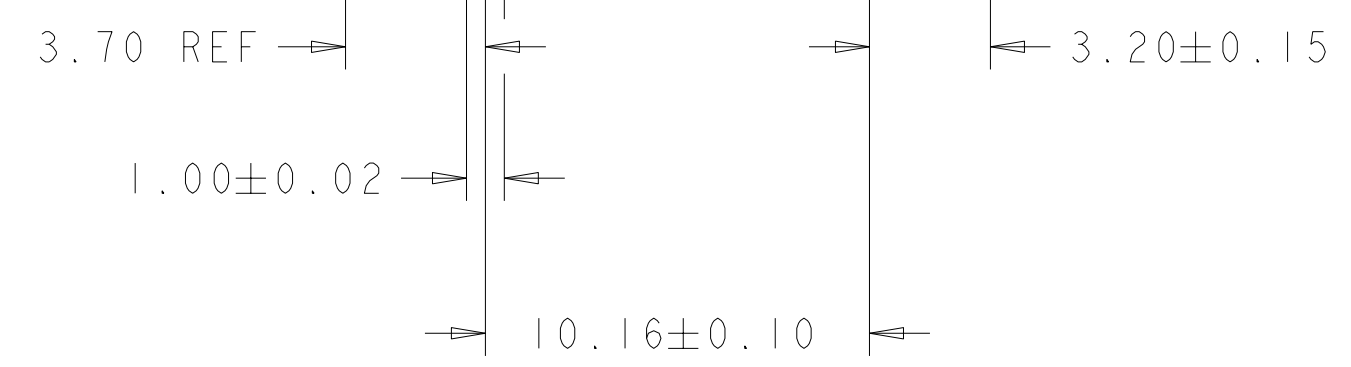
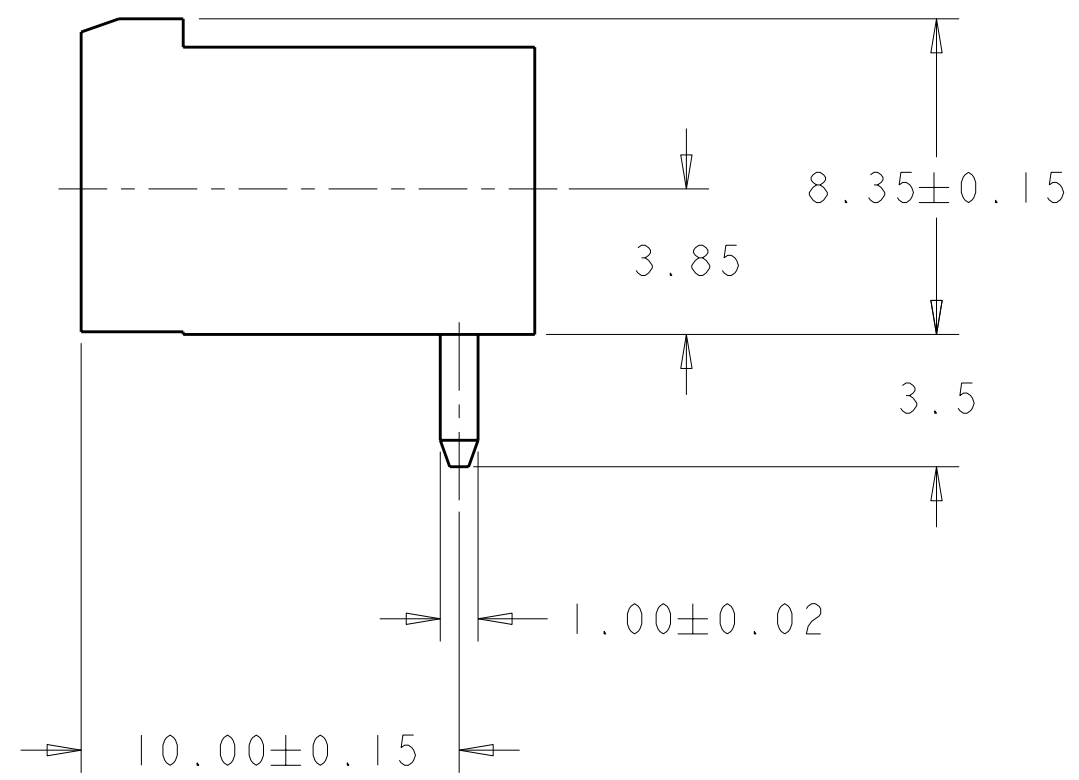
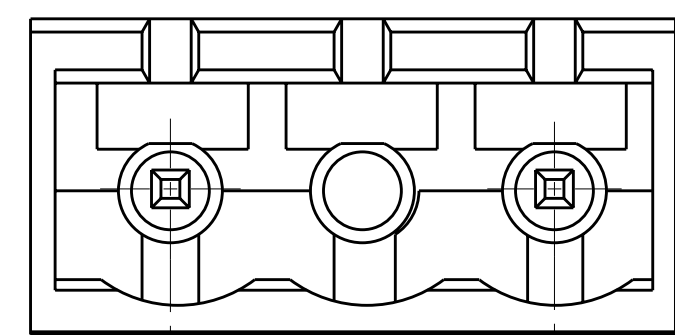
THIS DRAWING IS UNPUBLISHED. RELEASED FOR PUBLICATION 20
 © COPYRIGHT 20 Tyco Electronics AMP GmbH ALL RIGHTS RESERVED.

LOC		DIST		REVISIONS			
P	LTR	DESCRIPTION	DATE	DWN	APVD		
FT	0	01	REVISD PER ECO-12-007711	26APR2012	KH	MS	



- ⚠ MATERIALS AND FINISH
 HOUSING: HIGH TEMPERATURE POLYAMIDE, UL 94V-0 RATED,
 COLOR: BLACK.
 TERMINAL: COPPER ALLOY, TIN PLATED.
- SUITABLE FOR 1,6-2,4mm PC BOARD THICKNESS.
 - RECOGNIZED UNDER THE COMPONENT PROGRAM OF UNDERWRITERS LABORATORIES INC. FILE N° E60677.
 - IMQ CERTIFICATE WITH SURVEILLANCE IN CONFORMITY WITH IEC 998-1/998-2-1.

1776163-2 AS SHOWN



RECOMMENDED PC BOARD LAYOUT

37.38	4	1776163-4
27.22	3	1776163-3
17.06	2	1776163-2
A	NO OF POSN	PART NUMBER

THIS DRAWING IS A CONTROLLED DOCUMENT.		DWN S. WELDON 12JUL2005	STE TE Connectivity	
DIMENSIONS: mm		CHK C. RICHARD 12JUL2005		
TOLERANCES UNLESS OTHERWISE SPECIFIED:		APVD C. RICHARD 12JUL2005	NAME: TERMINAL BLOCK HEADER ASSEMBLY, 90 DEGREE, CLOSED ENDS, 10.16mm PITCH	
0 PLC ±-	1 PLC ±.2	PRODUCT SPEC 108-20166	SIZE A2	CAGE CODE 00779
2 PLC ±.25	3 PLC ±-	APPLICATION SPEC 114-20079	DRAWING NO C-1776163	RESTRICTED TO -
4 PLC ±-	ANGLES ±2	WEIGHT -	SCALE 3:1	SHEET 1 OF 1
MATERIAL	FINISH	CUSTOMER DRAWING	REV 01	

单击下面可查看定价，库存，交付和生命周期等信息

[>>TE Connectivity\(泰科\)](#)