

4

3

2

1

THIS DRAWING IS UNPUBLISHED.

RELEASED FOR PUBLICATION

2007

LOC DIST

REVISIONS

© COPYRIGHT 2007 BY -

ALL RIGHTS RESERVED.

P	LTR	DESCRIPTION	DATE	DWN	APVD
	AI	REVISED	02FEB2021	F.Z	R.B

RECOMMEND PC BOARD HOLE PATTERN : CONNECTOR MOUNT SIDE (NOT ACCUMULATE TOLERANCE)
PC BOARD THICKNESS : 1.0~1.6±0.1

△. MATERIAL: HOUSING: GLASS FILED THERMO PLASTIC POLYESTER(94V-0), COLOR: BLACK
CONTACT: PRE-TIN COPPER ALLOY
RETENTION LEG: PRE-TIN COPPER ALLOY

2. THE SHAPE, SIZE AND POSITION OF THE CHARACTER SHOW THE OUTLINE. THEY DON'T SHOW DETAILS.

POS	KEY	n	A	B	C	FINISHED	PART NO
40	X	19	38.0	41.0	42.6	PRE-TIN	I-2372488-0
34	X	16	32.0	35.0	36.6	PRE-TIN	I-2372488-7
30	X	14	28.0	31.0	32.6	PRE-TIN	I-2372488-5
28	X	13	26.0	29.0	30.6	PRE-TIN	I-2372488-4
26	X	12	24.0	27.0	28.6	PRE-TIN	I-2372488-3

34POS(X-KEY): I-2372488-7

THIS DRAWING IS A CONTROLLED DOCUMENT.		DWN	FISHER, ZHU	26-May-20	 TE Connectivity	NAME		DYNAMIC D1100D 2.0mmPITCH HDR ASSY, H-TYPE PRE-TIN 22-40POS							
DIMENSIONS: mm		CHK	RICK, BIAN	26-May-20		PRODUCT SPEC		SIZE	A3	CAGE CODE	00779	DRAWING NO	C=2372488	RESTRICTED TO	-
TOLERANCES UNLESS OTHERWISE SPECIFIED: ±0.3, ±5°		APVD	RICK, BIAN	26-May-20		APPLICATION SPEC		SCALE	2:1	SHEET	1	OF	2	REV	AI
0-PLC ± 1-PLC ±0.5 2-PLC ±0.13 3-PLC ±0.013 4-PLC ±0.001 ANGLES ± FINISH -		MATERIAL		WEIGHT		CUSTOMER DRAWING		SCALE		SHEET		OF		REV	

Printed on 3 Feb 2021 10:55 (China Standard Time) from TE304429

1470-19 (3/11)

Downloaded From Onevac.com

4

3

2

1

THIS DRAWING IS UNPUBLISHED.

RELEASED FOR PUBLICATION

2007

LOC

DIST

REVISIONS

© COPYRIGHT 2007 BY -

ALL RIGHTS RESERVED.

P

LTR

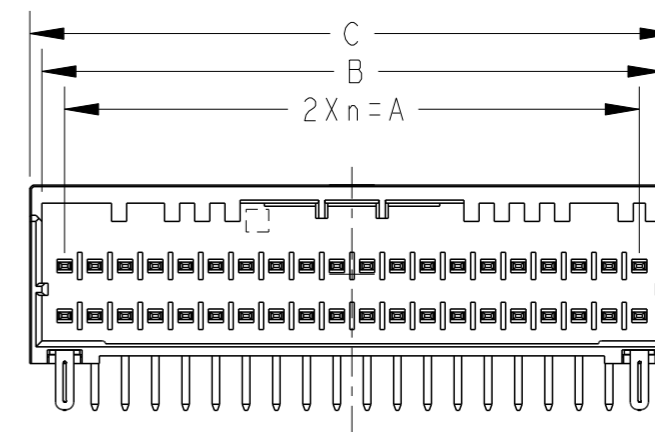
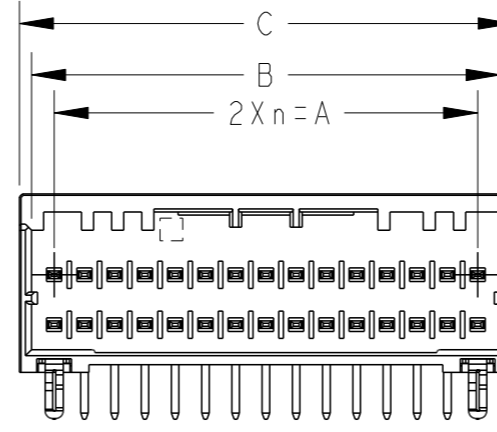
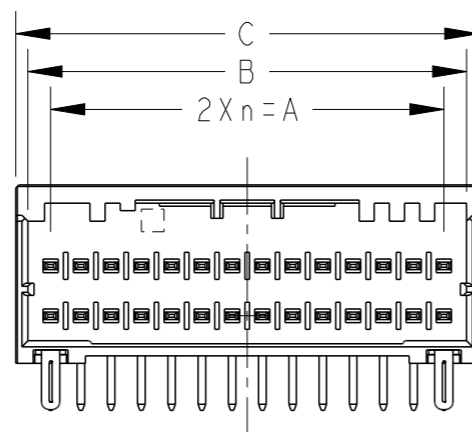
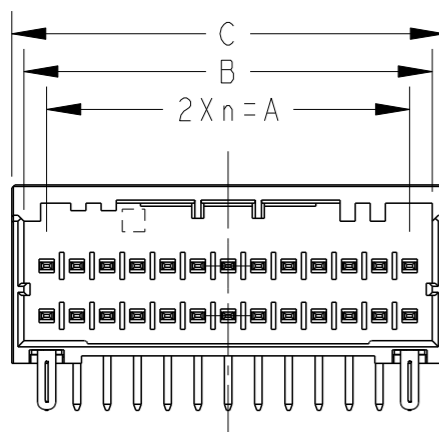
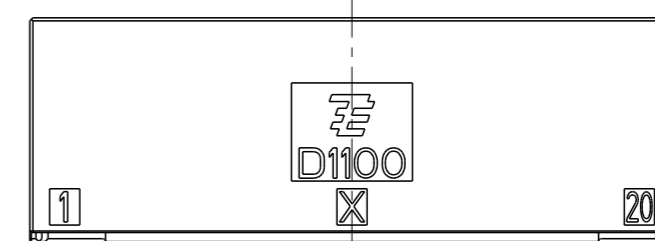
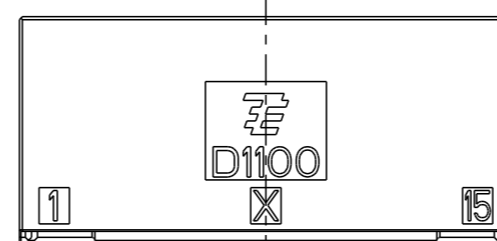
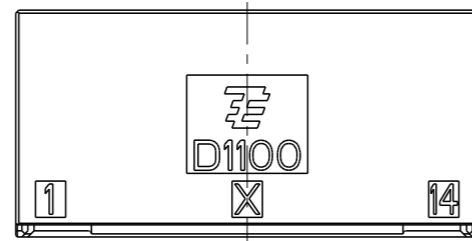
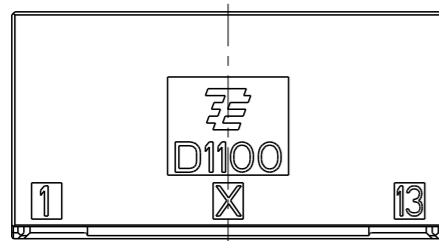
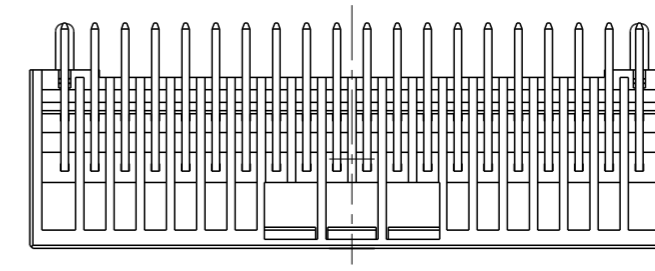
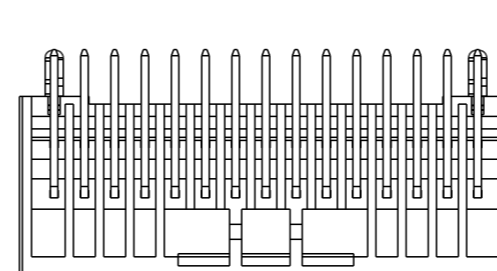
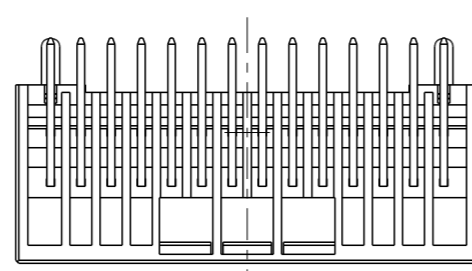
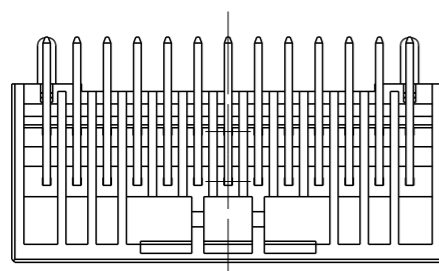
DESCRIPTION

DATE

DWN

APVD

SEE SHEET 1 OF 2



26POS(X-KEY): 1-2372488-3

28POS(X-KEY): 1-2372488-4

30POS(X-KEY): 1-2372488-5

40POS(X-KEY): 1-2372488-0

THIS DRAWING IS A CONTROLLED DOCUMENT.		DWN	03-Feb-21		
DIMENSIONS:		CHK	03-Feb-21		
mm		APVD	03-Feb-21		
		APVD	03-Feb-21		
TOLERANCES UNLESS OTHERWISE SPECIFIED:		RICK.BIAN		NAME	DYNAMIC D1100D 2.0mmPITCH
0 PLC ±-		RICK.BIAN		PRODUCT SPEC	HDR ASSY, H-TYPE PRE-TIN
1 PLC ±0.5		RICK.BIAN		APPLICATION SPEC	22-40POS
2 PLC ±0.13		108-137366		SIZE	A3
3 PLC ±0.013		114-5377		CAGE CODE	00779
4 PLC ±0.0001		WEIGHT		DRAWING NO	C=2372488
ANGLES ±-		CUSTOMER DRAWING		RESTRICTED TO	-
FINISH -		SCALE		SHEET	2 OF 2
				REV	A1

Printed on 3 Feb 2021 10:55 (China Standard Time) from TE304429

单击下面可查看定价，库存，交付和生命周期等信息

[>>TE Connectivity\(泰科\)](#)