

THIS DRAWING IS UNPUBLISHED.

RELEASED FOR PUBLICATION

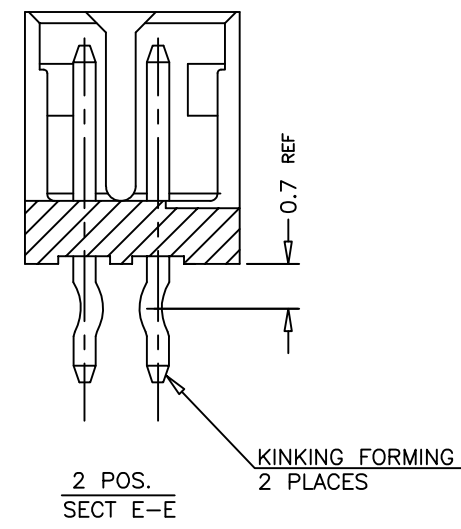
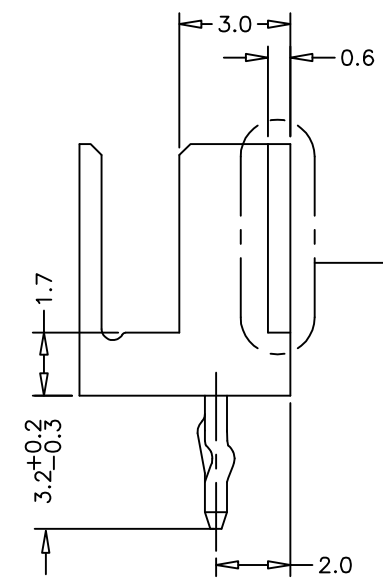
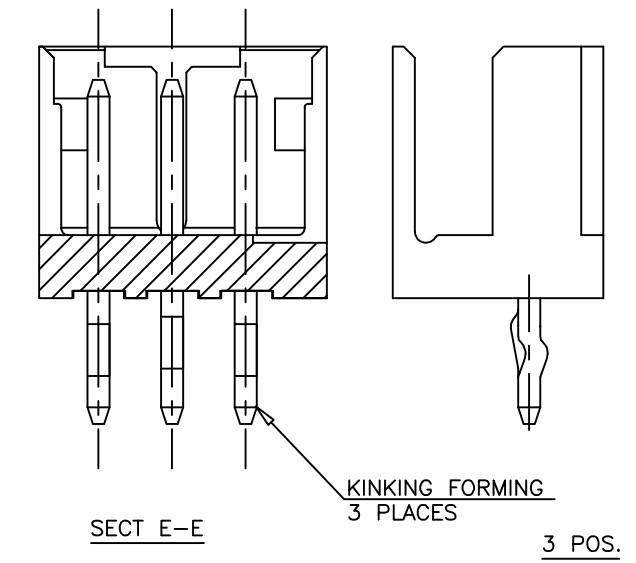
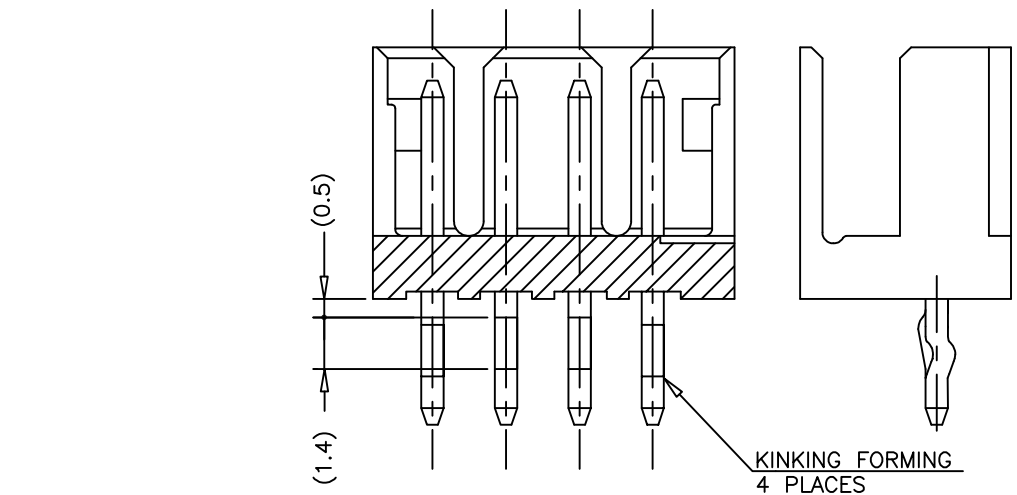
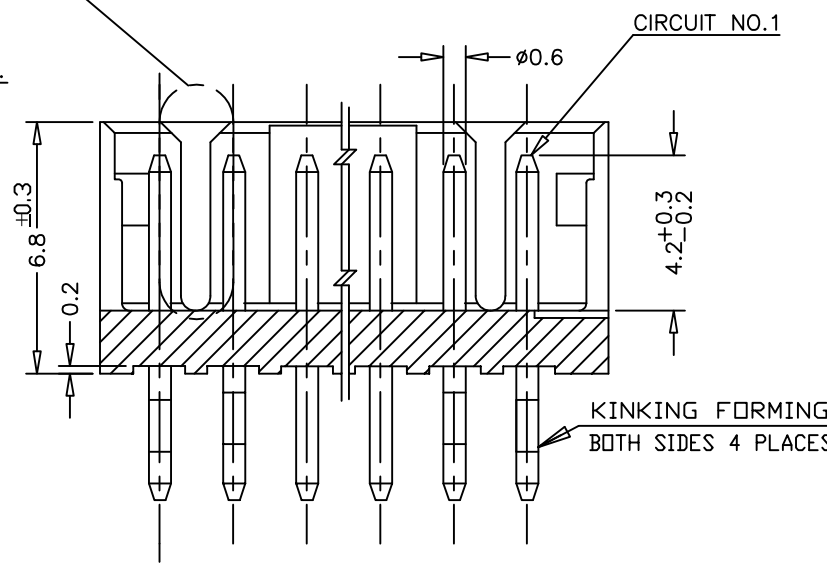
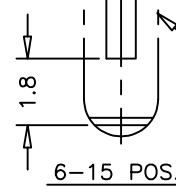
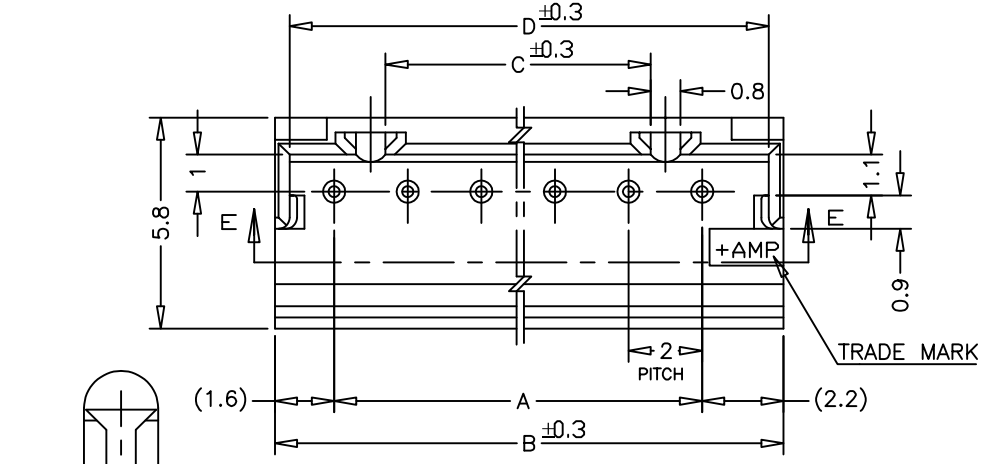
© COPYRIGHT - By -

ALL RIGHTS RESERVED.

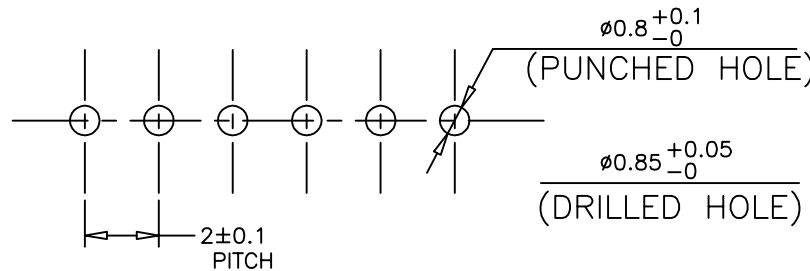
LOC FB DIST 00

REVISIONS

P	LTR	DESCRIPTION	DATE	DWN	APVD
P1	REVISED	ECR-14-006619	13MAY14	T.Q	W.H



- NOTES:
 1 MATERIAL : HOUSING-66 NYLON (UL94V-0)
 POST -GOLD-PLT BRASS
 2 APPLICABLE RECEPTACLE : P/N 176392



NOT ACCUMULATED TOLERANCE

RECOMMENDABLE P.C. BOARD LAYOUT
(PCB THK : 0.8-1.6)

NATURAL (WHITE)	1-292134-5	15	28	31.8	25.2	31.0
	1- -2	12	22	25.8	19.2	25.0
	1- -0	10	18	21.8	15.2	21.0
	-9	9	16	19.8	13.2	19.0
	-6	6	10	13.8	7.2	13.0
	-5	5	8	11.8	5.2	11.0
	-4	4	6	9.8	3.2	9.0
	-3	3	4	7.8	—	7.0
292134-2	2	2	5.8	—	5.0	
COLOR	P/N	POS.	A	B	C	D

THIS DRAWING IS A CONTROLLED DOCUMENT.

DWN S.XU	31JAN03	 TE Connectivity	NAME POST HEADER ASS'Y (BOX-V) GOLD PLT TYPE (AMP CT CONNECTOR 2mm PITCH)										
CHK S.YAO	31JAN03												
APVD T.SASAKI	31JAN03												
PRODUCT SPEC	108-60016												
MATERIAL	SEE NOTE	FINISH	SEE NOTE	APPLICATION SPEC	—	SIZE	A3	CAGE CODE	00779	DRAWING NO	C=292134	RESTRICTED TO	—
CUSTOMER DRAWING		SCALE	5:1	SHEET	1 of 1	REV	P1						

单击下面可查看定价，库存，交付和生命周期等信息

[>>TE Connectivity\(泰科\)](#)