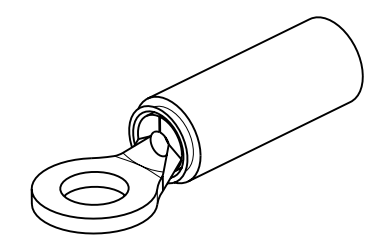
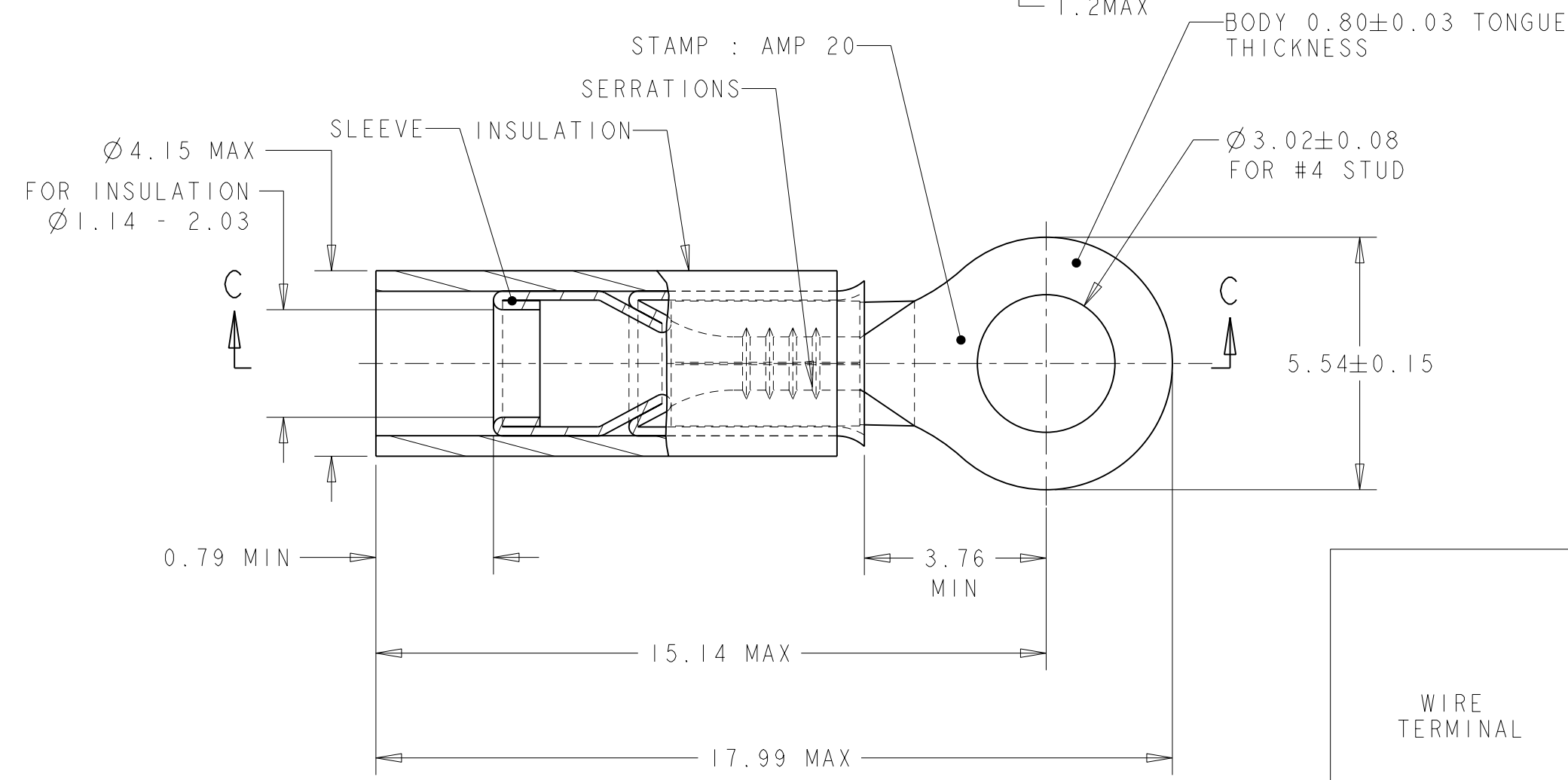
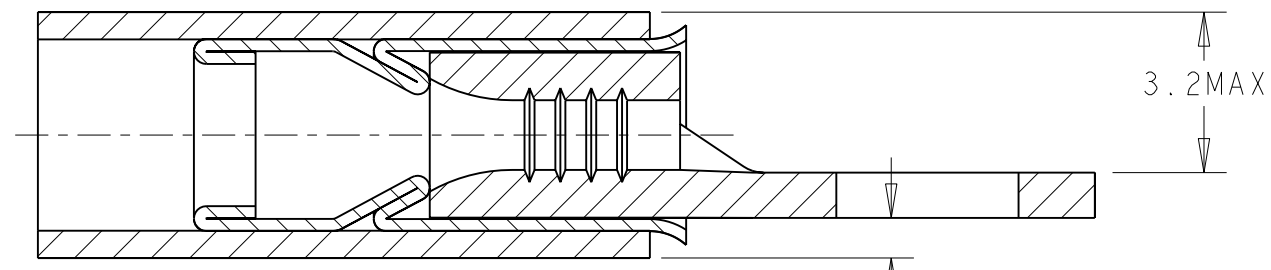


THIS DRAWING IS UNPUBLISHED. RELEASED FOR PUBLICATION 20  
 © COPYRIGHT 20 BY TYCO ELECTRONICS CORPORATION. ALL RIGHTS RESERVED.

LOC	DIST	REVISIONS			
P	LTR	DESCRIPTION	DATE	DWN	APVD
F	00	B	ECR 07-025006	25OCT2007	JT GR

COUPE C-C



SCALE 3:1

WIRE TERMINAL	1577626-1	BODY : COPPER ANNEALED FINISH : NICKEL PLATED
		SLEEVE : COPPER ANNEALED FINISH : NICKEL PLATED
		INSULATION : PEEK COLOR : GREY
DESCRIPTION	PART NUMBER	MATERIAL & FINISH

<small>THIS DRAWING IS A CONTROLLED DOCUMENT FOR TYCO ELECTRONICS CORPORATION IT IS SUBJECT TO CHANGE AND THE CONTROLLING ENGINEERING ORGANIZATION SHOULD BE CONTACTED FOR THE LATEST REVISION.</small>		DWN	02NOV2005	TYCO ELECTRONICS France SAS	
DIMENSIONS: mm		CHK	02NOV2005	BP 30039, 95301 CERGY-PONTOISE Cedex	
TOLERANCES UNLESS OTHERWISE SPECIFIED:		APVD	02NOV2005	NAME	
0 PLC ±-	±0.3	PRODUCT SPEC	108-15356	TERMINAL, PEEK PIDG STRATO, 20 AWG	
1 PLC ±-	±-	APPLICATION SPEC	114-15102	SIZE	CAGE CODE
2 PLC ±-	±-	WEIGHT	0,58 gr	A3	00779
3 PLC ±-	±-	CUSTOMER DRAWING		DRAWING NO	C=1577626
4 PLC ±-	±5	SCALE 8:1		SHEET	OF
ANGLES ±-	±5	RESTRICTED TO		REV	B
MATERIAL SEE TABLE	FINISH SEE TABLE				

单击下面可查看定价，库存，交付和生命周期等信息

[>>TE Connectivity\(泰科\)](#)