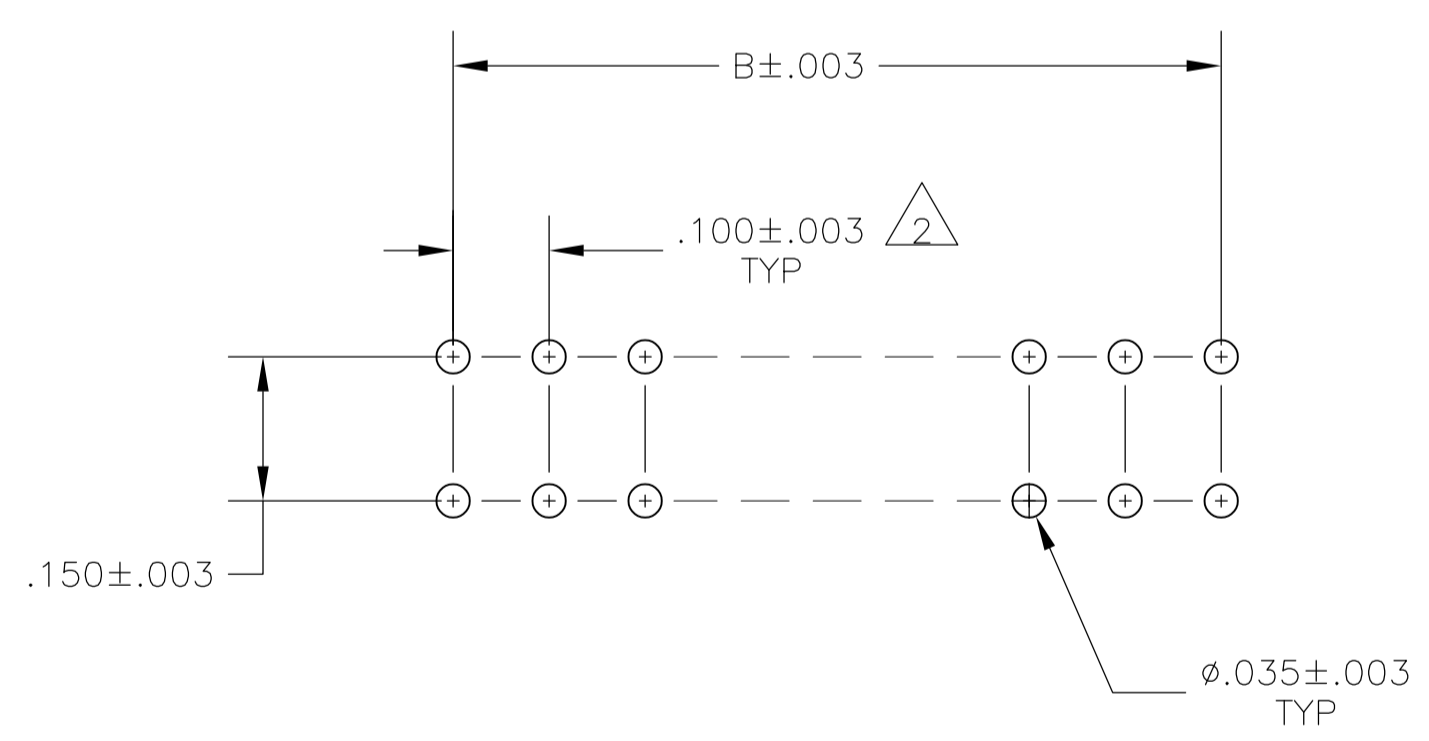
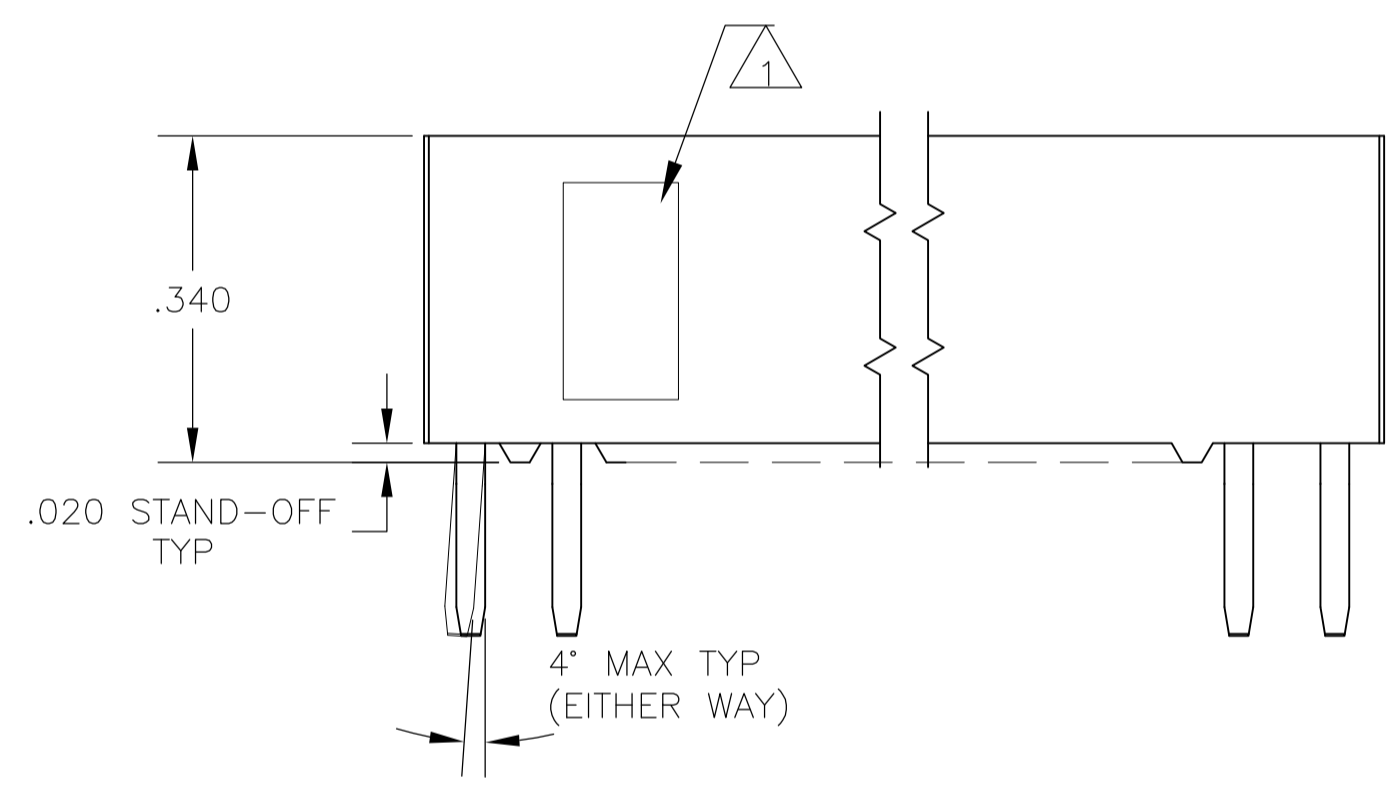
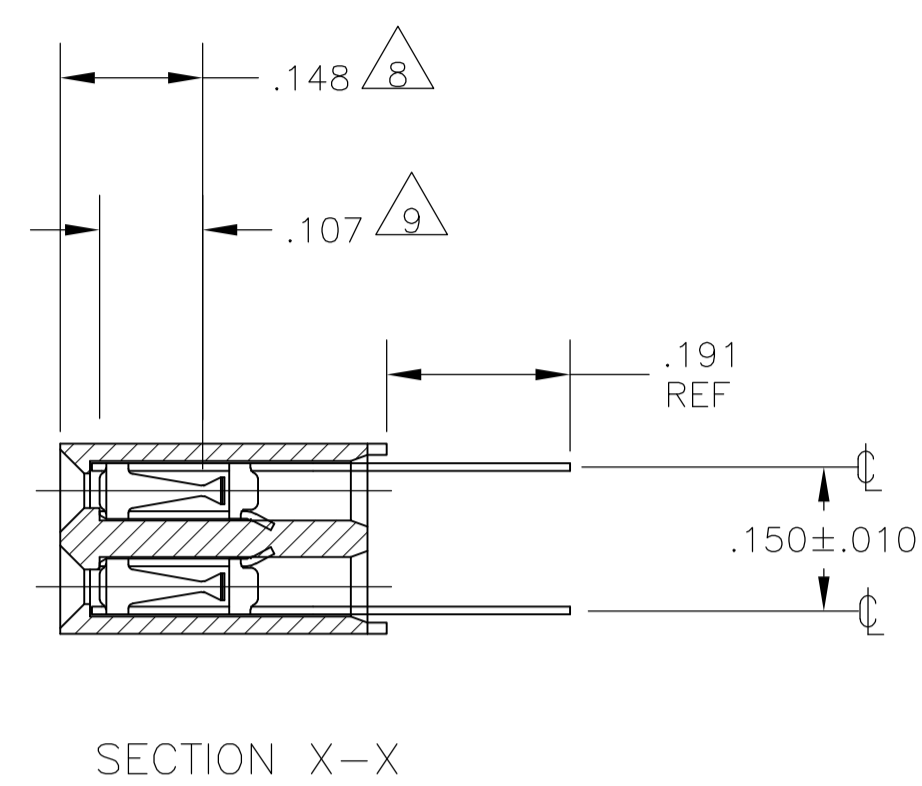
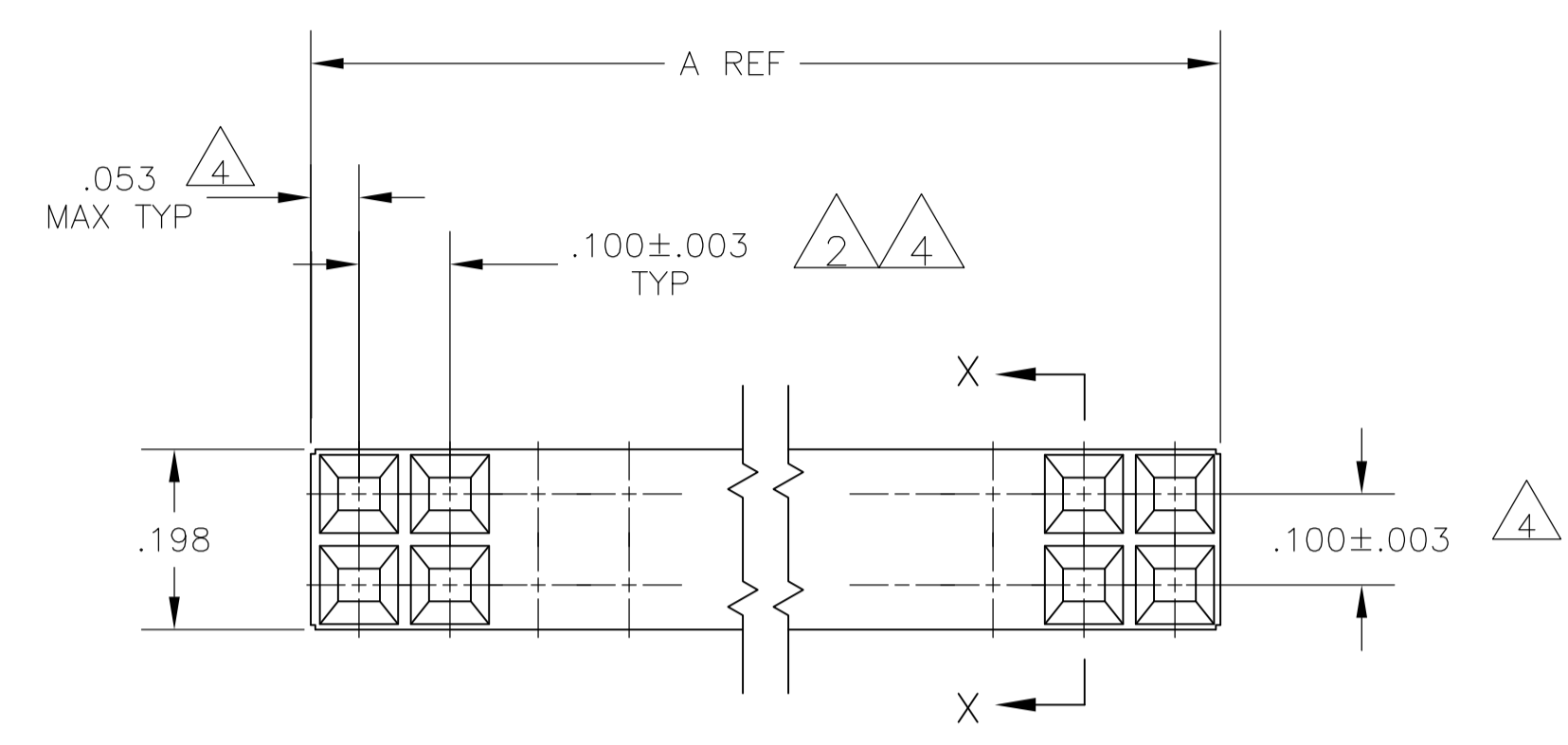


| LOC | | DIST | | REVISIONS | | | |
|-----|----|---------------------------|---------|-----------|-----|------|--|
| AD | 00 | REV | DATE | BY | CHK | APPV | |
| A | | REVISED PER 063C-0061-03 | 07OCT03 | MJM | JRO | | |
| A1 | | REVISED PER ECO-09-024927 | 06NOV09 | KK | AEG | | |



- △1 TYCO LOGO AND CSA LOGO ARE MOLDED INTO HOUSING
- △2 TOLERANCE NON-CUMULATIVE.
- △3 DUPLEX PLATED: .000030 GOLD IN CONTACT AREA, .000150-.000300 BRIGHT TIN-LEAD ON SOLDER LEADS, ALL OVER .000050 MIN NICKEL.
- △4 THESE DIMENSIONS PERTAIN TO CAVITY CENTERLINES ONLY. NOT TO CONTACT LOCATIONS.
- 6. PACKAGED IN SINGLE TUBES.
- △7 HOUSING: FLAME RETARDANT GLASS FILLED POLYESTER COLOR-BLACK, CONTACT: PHOS. BRONZE
- △8 POINT OF CONTACT DIMENSION.
- △9 POINT OF MEASUREMENT DIMENSION FOR PLATING THICKNESS (INSIDE CONTACT BEAMS).
- △10 DATE CODE AND PART NUMBER ARE MARKED IN APPROXIMATE LOCATION SHOWN"
- △11 DUPLEX PLATED: .000030 GOLD IN CONTACT AREA, .000150-.000300 MATTE TIN ON SOLDER LEADS, ALL OVER .000050 MINIMUM NICKEL"
- △12 ROHS 2002/95/EC COMPLIANT
- △13 OBSOLETE PARTS: OBSOLETE CIS STREAMLINING PER D.RENAUD/D.SINISI

| | | | | | | |
|--------|----------|-----|-------|-------|---------------------|-----------------------|
| FINISH | △13, △12 | △11 | 3.200 | 3.100 | 64 | 5-147065-1 |
| | | △3 | 3.200 | 3.100 | 64 | 147065-1 |
| | | | A | B | NUMBER OF POSITIONS | PART NUMBER |

THIS DRAWING IS A CONTROLLED DOCUMENT.

| | | | |
|--------------------|--|---------------------------|---|
| DIMENSIONS: INCHES | TOLERANCES UNLESS OTHERWISE SPECIFIED: | DIN J.HERRINGTON 09FEB98 | Tyco Electronics Corporation Harrisburg, Pa 17105-3608 |
| 0 PLC ± - | 1 PLC ± - | CHK J.HERRINGTON 09FEB98 | |
| 2 PLC ± - | 3 PLC ± - | APVD J.HERRINGTON 09FEB98 | NAME ASSEMBLY, MOD II DOUBLE ROW, .100 X .100 |
| 4 PLC ± - | ANGLES ± - | PRODUCT SPEC | APPLICATION SPEC |
| MATERIAL | FINISH | SIZE | WEIGHT |
| △7 | △3, △11 | A1 00779 | 147065 |
| CUSTOMER DRAWING | | SCALE 5:1 | SHEET 1 OF 1 REV A1 |

单击下面可查看定价，库存，交付和生命周期等信息

[>>TE Connectivity\(泰科\)](#)