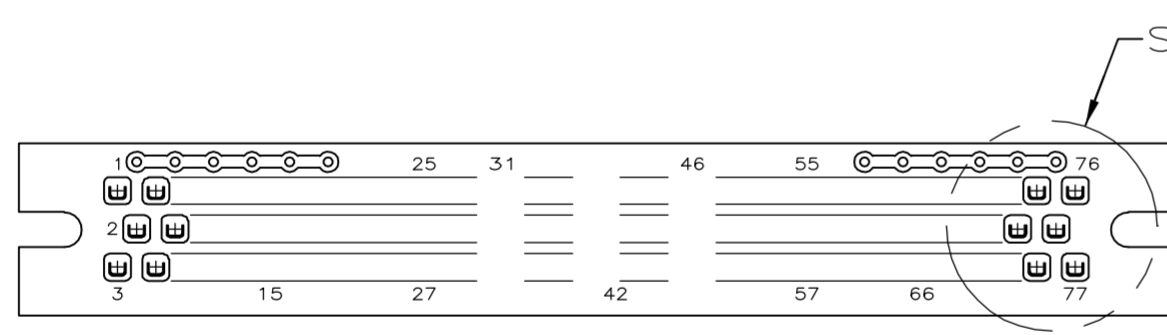
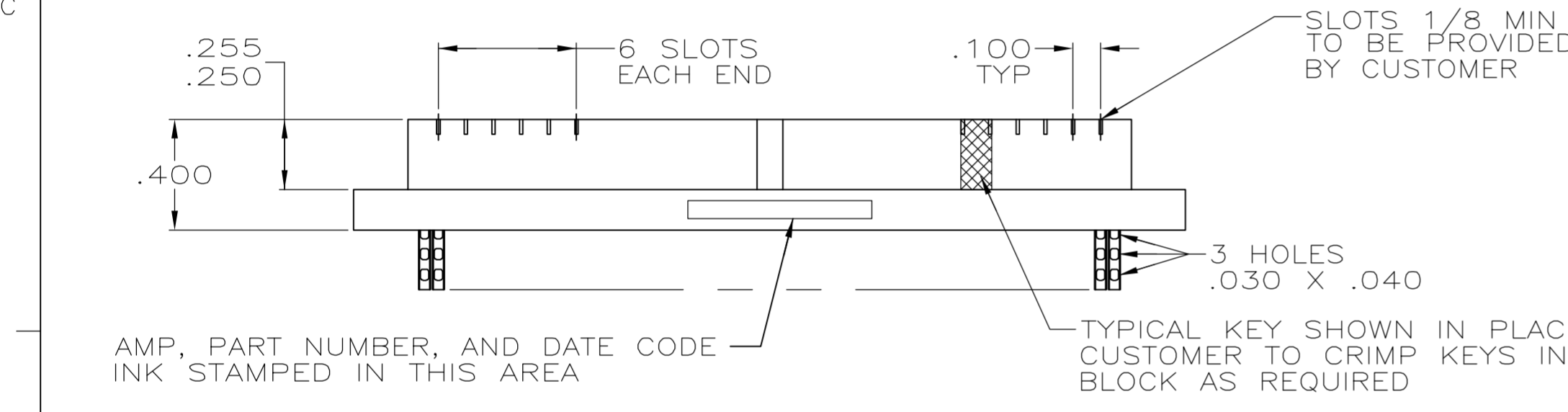
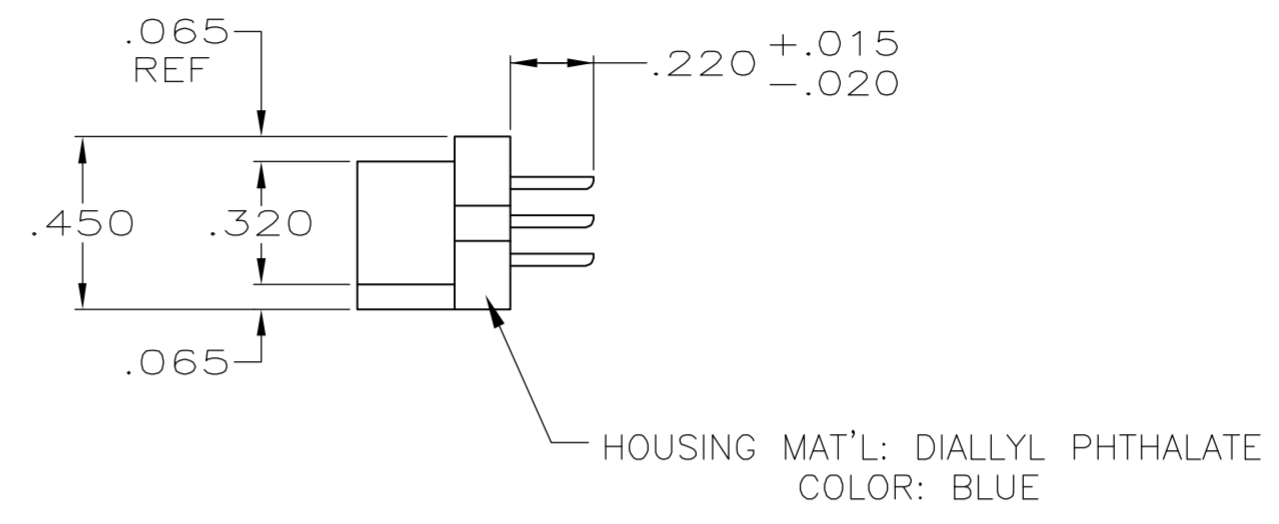
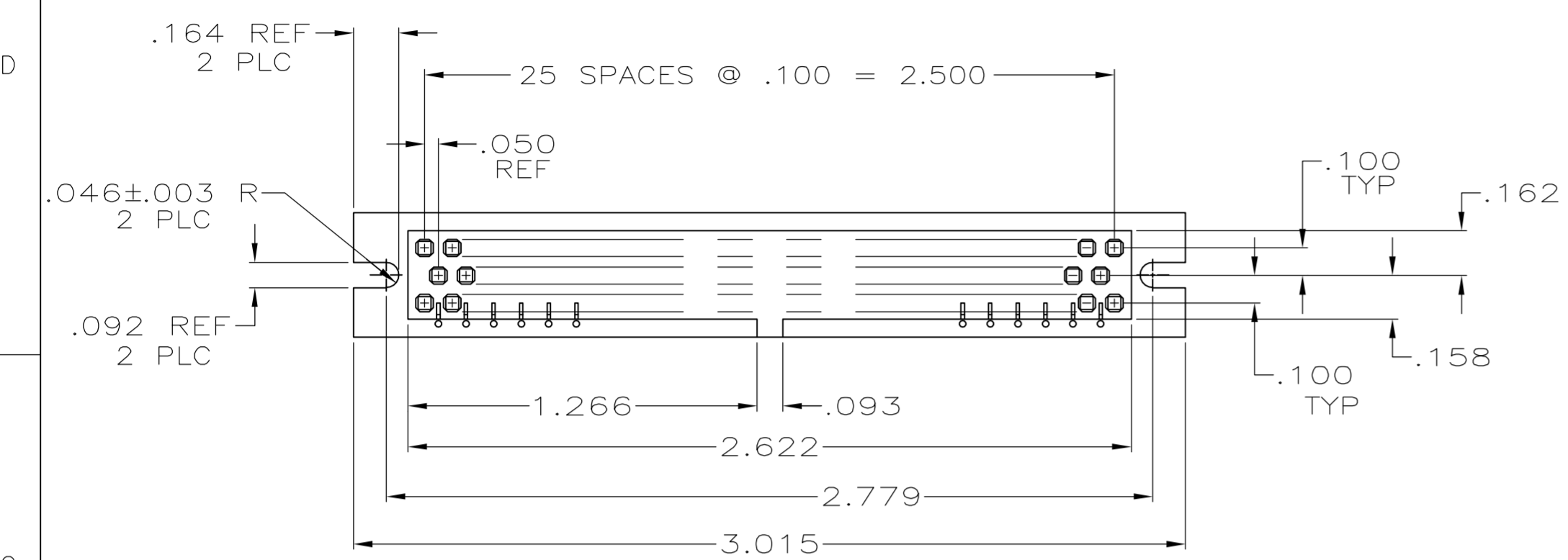
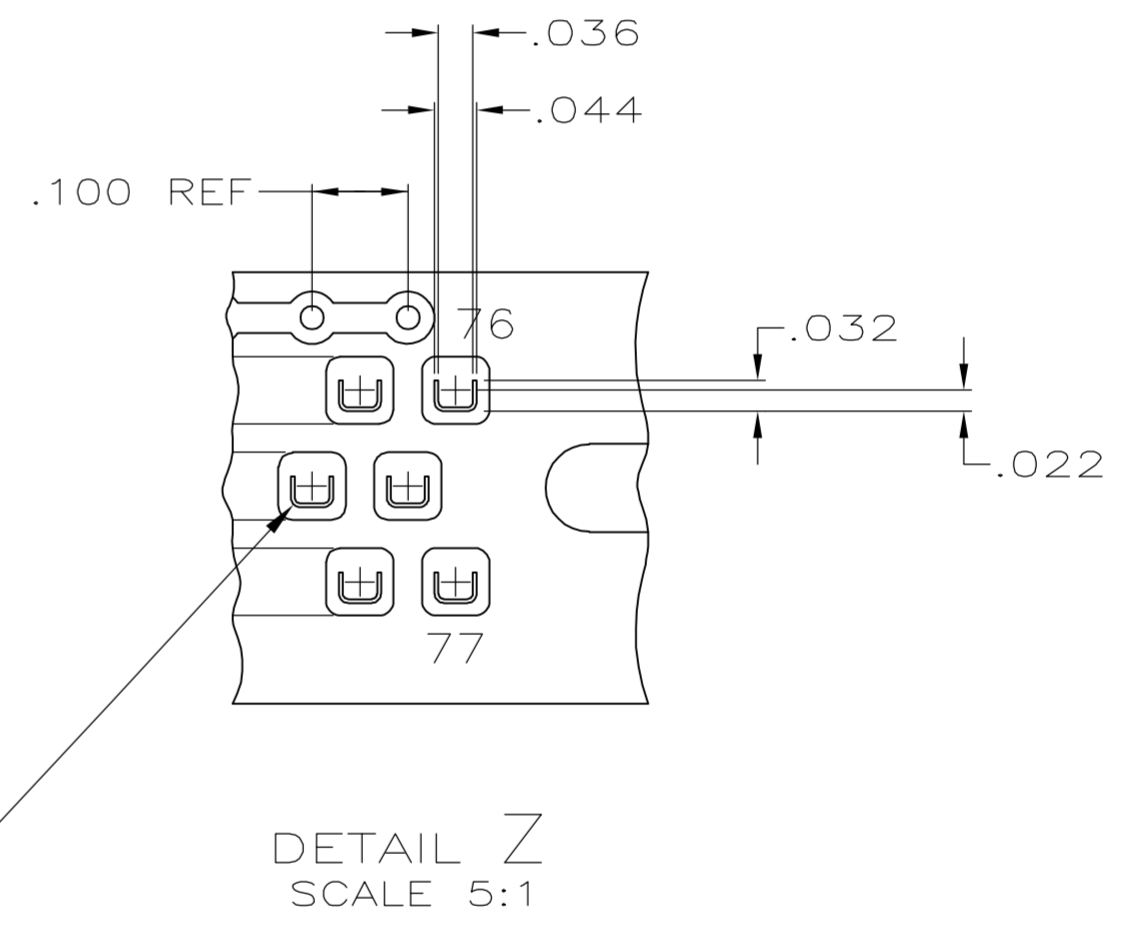


THIS DRAWING IS UNPUBLISHED. RELEASED FOR PUBLICATION  
 © COPYRIGHT BY TYCO ELECTRONICS CORPORATION. ALL RIGHTS RESERVED.

LOC		DIST		REVISIONS			
P	LTR	DESCRIPTION		DATE	DWN	APVD	
DF	F0	A	REV PER ECO	05-013554	16NOV05	VF	CT



SOLDERING TABS  
 MAT'L: BERYLLIUM COPPER (BeCu) OR  
 COPPER-NICKEL-SILICON (CuNiSi)  
 FINISH: PLATED GOLD .000050 THK  
 IN CONTACT AREA, TIN LEAD  
 OVER NICKEL IN TAIL AREA



1. MEETS ALL APPLICABLE REQUIREMENTS OF MIL-C-55302.

77	445398-1
NO OF POSN	PART NUMBER

THIS DRAWING IS A CONTROLLED DOCUMENT.		DWN V. FURLER 16NOV05	<b>tyco</b> Electronics	Tyco Electronics Corporation Harrisburg, PA 17105-3608	
DIMENSIONS: INCHES		CHK C. THOMAS 16NOV05		NAME	
TOLERANCES UNLESS OTHERWISE SPECIFIED:		APVD C. THOMAS 16NOV05	PRODUCT SPEC		
0 PLC ± -		APPLICATION SPEC		RESTRICTED TO	
1 PLC ± -		WEIGHT -		SIZE A2	CAGE CODE 00779
2 PLC ± -		CUSTOMER DRAWING		DRAWING NO C=445398	SCALE 2:1
3 PLC ± .005		SCALE 2:1		SHEET 1 of 1	REV A
4 PLC ± -					
ANGLES ± -					
FINISH SEE CALLOUTS					

单击下面可查看定价，库存，交付和生命周期等信息

[>>TE Connectivity\(泰科\)](#)