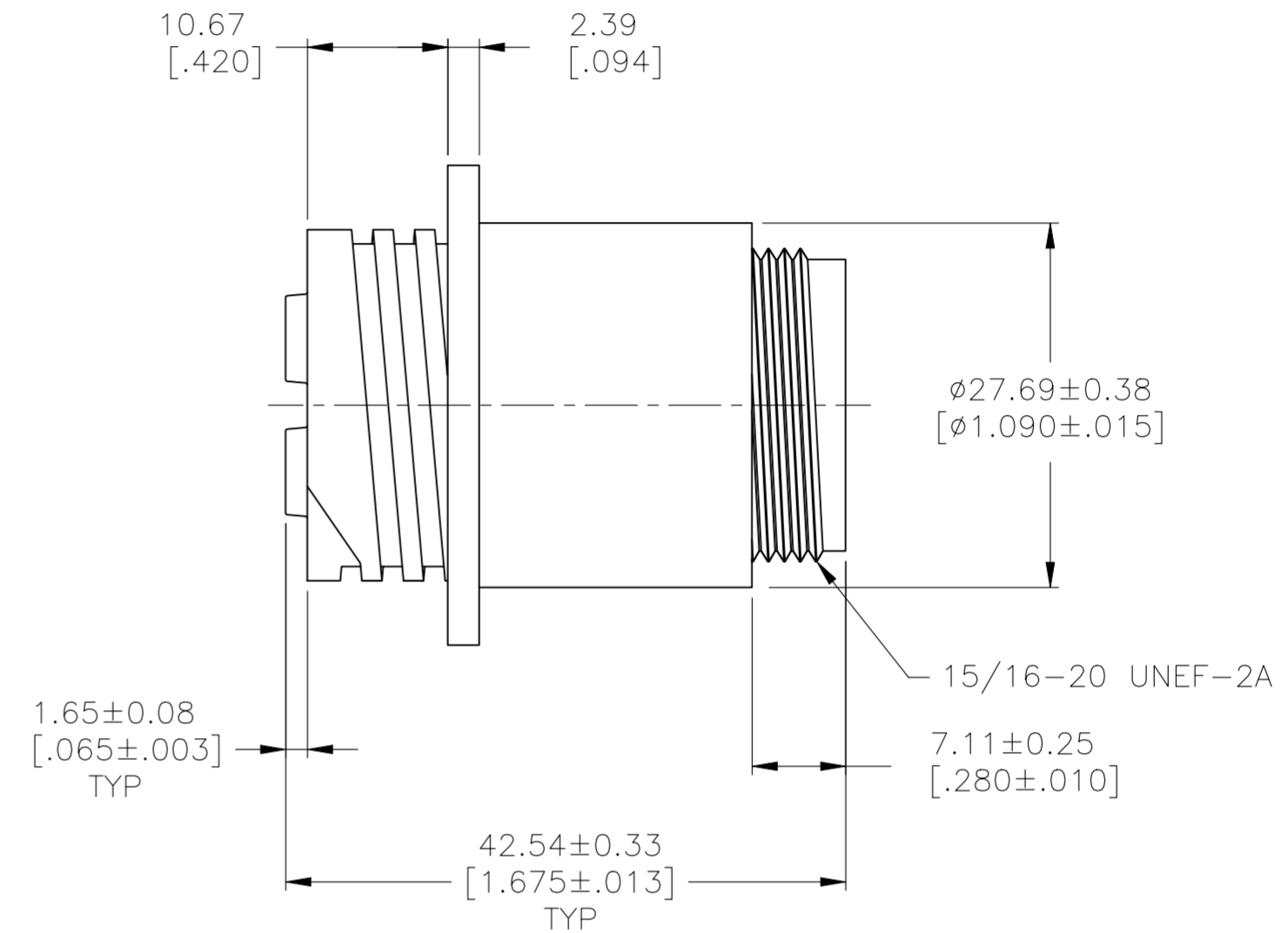
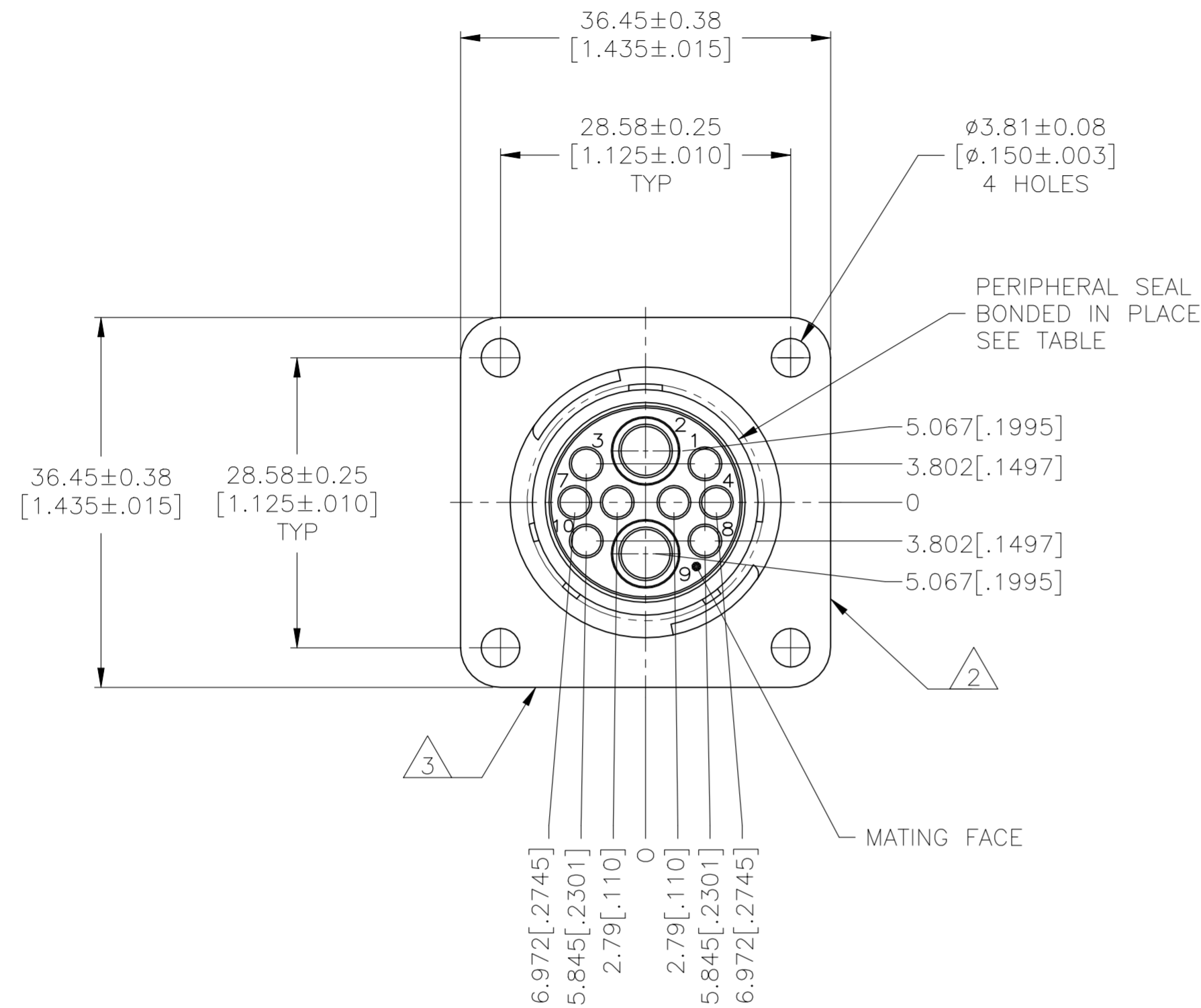
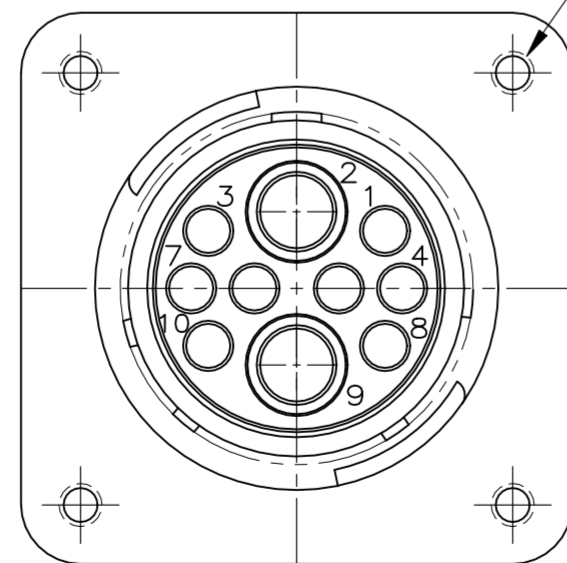


REVISIONS					
P	LTR	DESCRIPTION	DATE	DWN	APVD
E		REVISED PER ECO-21-006943	13OCT2021	RK	MZ



213893-1 & 2

M4 INSERT
 4 PLC



213893-3

- 1 OBSOLETE PARTS: OBSOLETE CIS STREAMLINING PER D.RENAUD/D.SINISI
- 2 PART NUMBER, DATE CODE AND COUNTRY OF MANUFACTURE MARKED ON ANY FLANGE EDGE.
- 3 TE LOGO AND PART NUMBER LOCATED ON ANY FLANGE EDGE SEE CHART.

213893-2	213893-1	YES	YES	-213893-3
-	213893-1	NO	YES	213893-2
-	213893-1	NO	NO	213893-1
PART NUMBER LASER MARKED OR INK STAMPED ON HOUSING	PART NUMBER MOLDED INTO HOUSING	THREADED INSERTS	PERIPHERAL SEAL	PART NUMBER
THIS DRAWING IS A CONTROLLED DOCUMENT.		DWN D.HARDY 06/27/95	TE Connectivity RECEPTACLE HOUSING, REVERSE SEX, SERIES 6, 17-10, CIRCULAR PLASTIC CONNECTOR	
DIMENSIONS: mm	TOLERANCES UNLESS OTHERWISE SPECIFIED:	CHK R.STONE 06/29/95		
	0 PLC ± - 1 PLC ± - 2 PLC ± 0.13 [.005] 3 PLC ± 0.013 [.0005] 4 PLC ± - ANGLES ± -	APVD A.FRANTUM 06/29/95		
		NAME 108-1579		
MATERIAL NYLON, BLACK	FINISH -	WEIGHT -	SIZE A2	CAGE CODE 00779
		CUSTOMER DRAWING	SCALE 2:1	SHEET 1 of 1
			DRAWING NO C=213893	REV E

单击下面可查看定价，库存，交付和生命周期等信息

[>>TE Connectivity\(泰科\)](#)