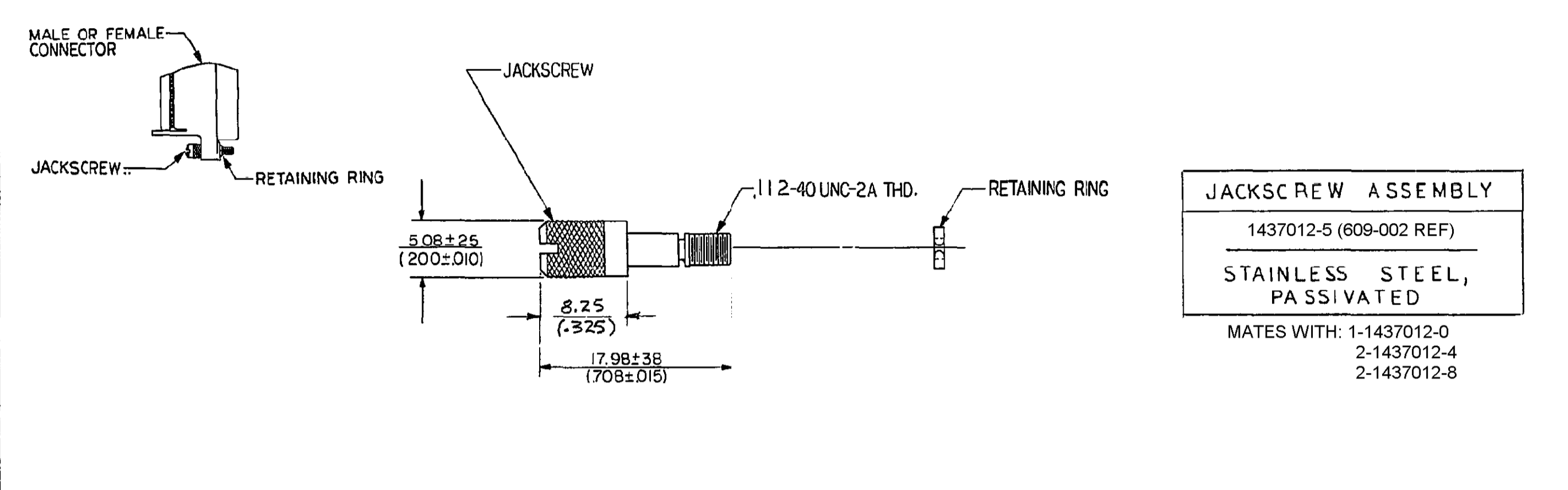
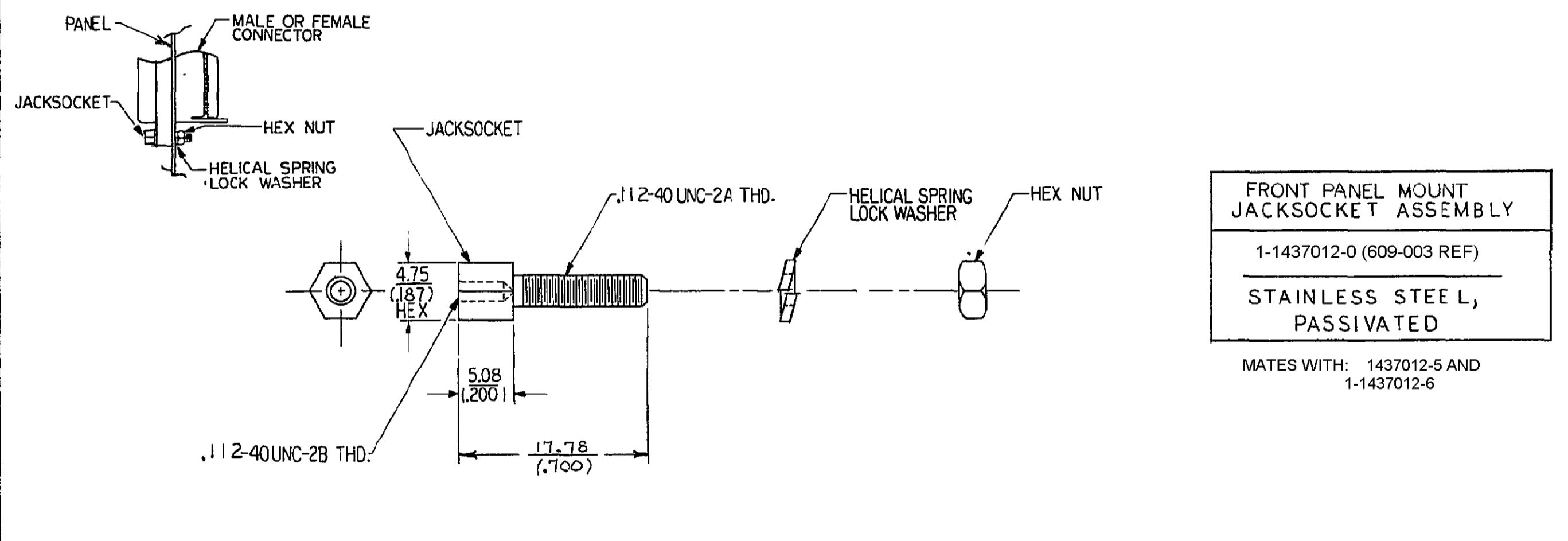


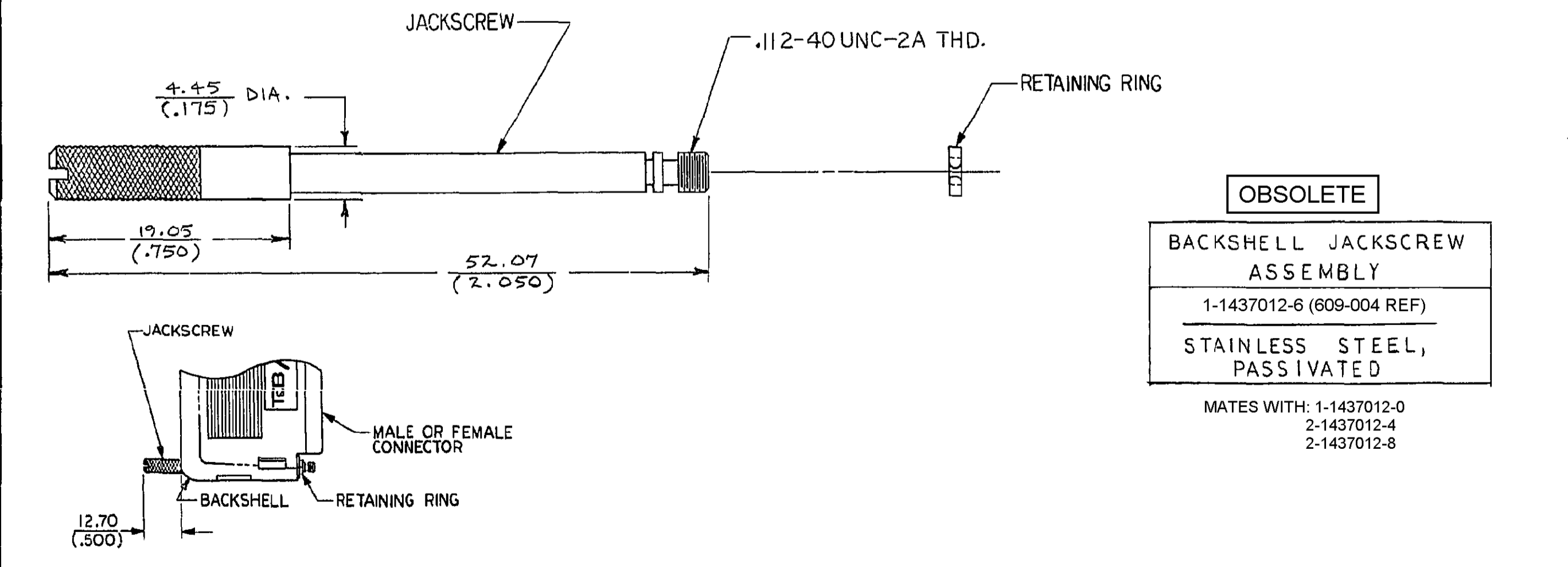
OBSOLETE
SCREWLOCK ASSEMBLY
 1-1437012-1 (609-001 REF)
 STAINLESS STEEL,
 PASSIVATED



JACKSCREW ASSEMBLY
 1-1437012-5 (609-002 REF)
 STAINLESS STEEL,
 PASSIVATED
 MATES WITH: 1-1437012-0
 2-1437012-4
 2-1437012-8

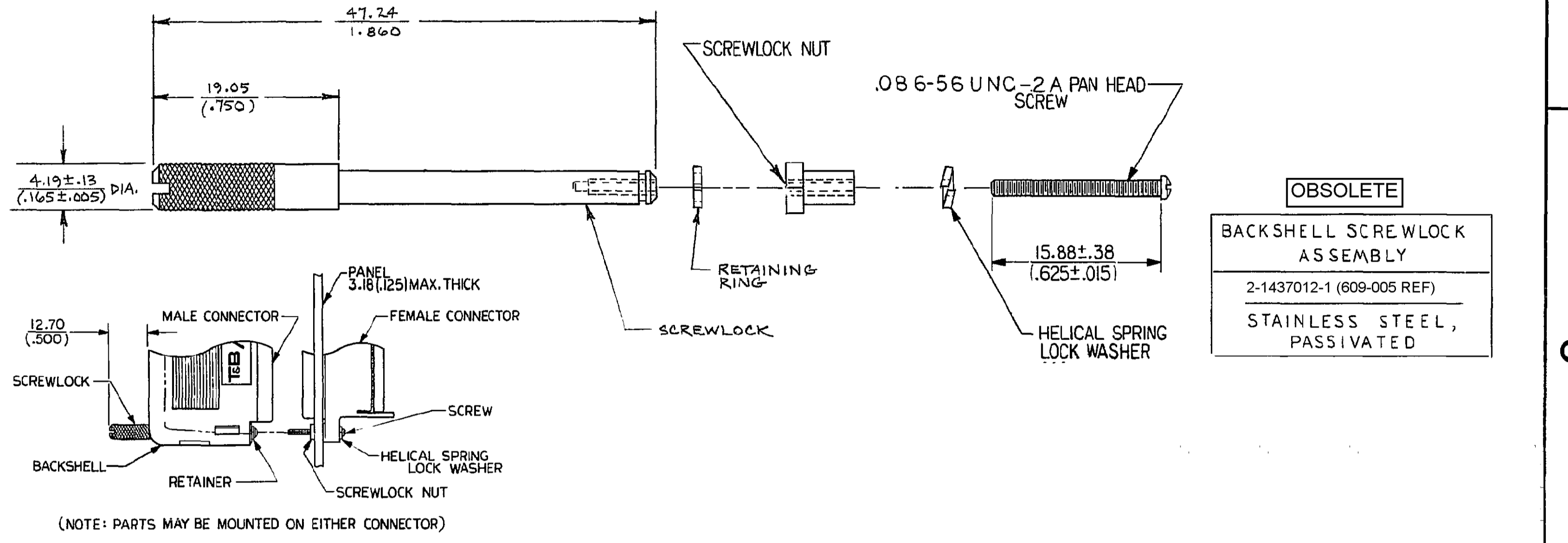


FRONT PANEL MOUNT JACKSCREW ASSEMBLY
 1-1437012-0 (609-003 REF)
 STAINLESS STEEL,
 PASSIVATED
 MATES WITH: 1-1437012-5 AND
 1-1437012-6

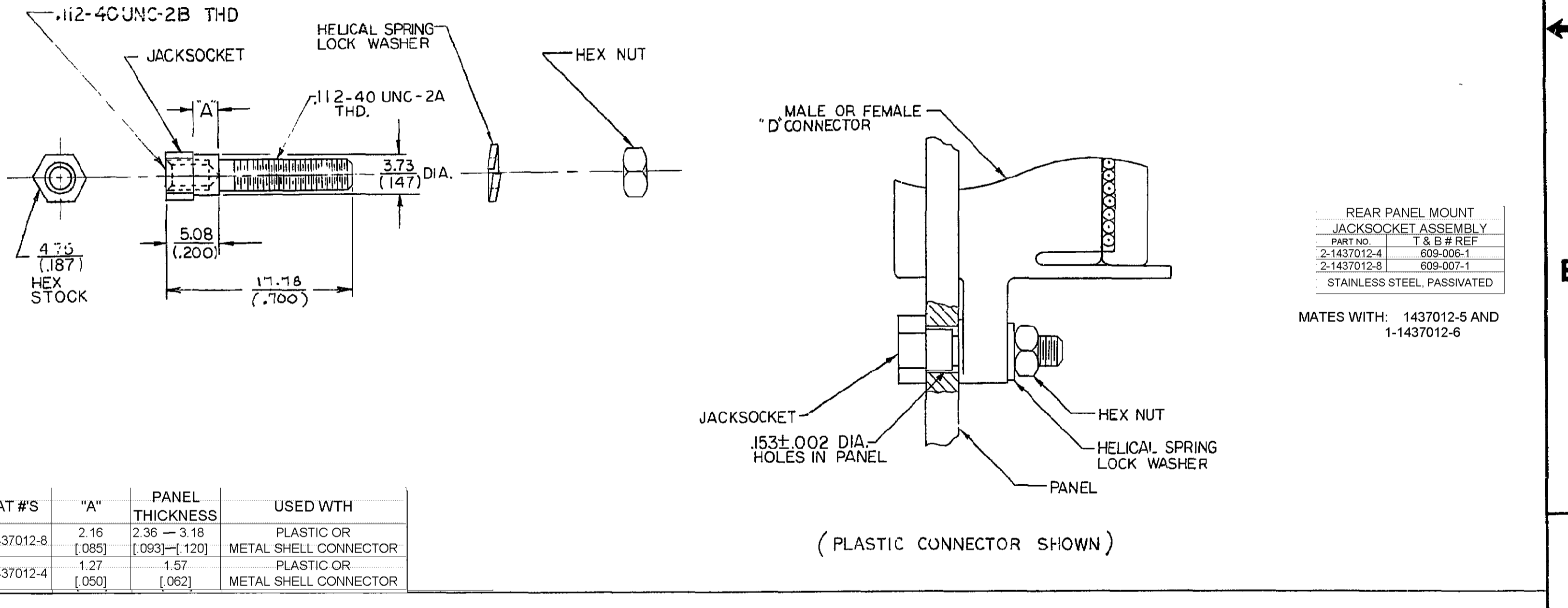


OBSOLETE
BACKSHELL JACKSCREW ASSEMBLY
 1-1437012-6 (609-004 REF)
 STAINLESS STEEL,
 PASSIVATED
 MATES WITH: 1-1437012-0
 2-1437012-4
 2-1437012-8

1. HARDWARE SHOWN IS COMPATIBLE WITH FORMER T&B BACKSHELLS AND CONNECTORS ONLY.
 2. OBSOLETE PARTS: OBSOLETE CIS STREAMLINING PER D.RENAUD/D.SINISI



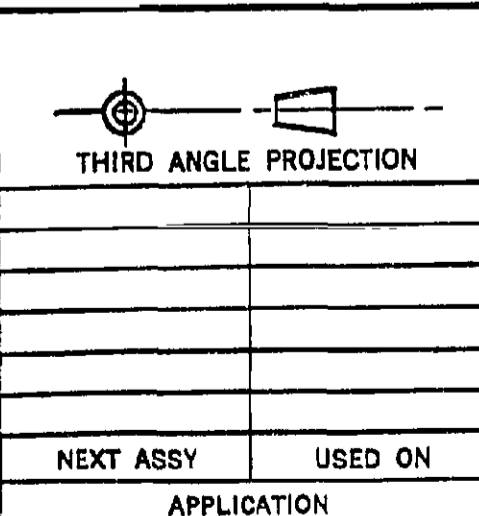
OBSOLETE
BACKSHELL SCREWLOCK ASSEMBLY
 2-1437012-1 (609-005 REF)
 STAINLESS STEEL,
 PASSIVATED



REAR PANEL MOUNT JACKSCREW ASSEMBLY
 PART NO. T & B REF
 2-1437012-4 609-006-1
 2-1437012-8 609-007-1
 STAINLESS STEEL, PASSIVATED
 MATES WITH: 1-1437012-5 AND
 1-1437012-6

CAT #S	"A"	PANEL THICKNESS	USED WITH
2-1437012-8	2.16 [.085]	2.36 - 3.18 [.093] - [1.20]	PLASTIC OR METAL SHELL CONNECTOR
2-1437012-4	1.27 [.050]	1.57 [.062]	PLASTIC OR METAL SHELL CONNECTOR

P	REVISED PER ECO-11-004835	21MAR11	RK	HMR
REV	REVISION RECORD	DATE	DWN	APVD



UNLESS OTHERWISE SPECIFIED, DIMENSIONS ARE IN M.MS.(INCHES)
 TOLERANCES —
 FRACTIONS =
 ANGLES =
 DECIMALS .XX (.XXX) ±
 X (.XX) ±

FIND NO.	QTY REQD	CODE IDENT	PART NO.	DESCRIPTION	ZONE
LIST OF MATERIALS					
STE TE Connectivity					
TITLE D CONNECTOR MOUNTING ACCESSORY HARDWARE					
DRAWN CHECKED APPROVED					
APPROVED					
APPROVED					
APPROVED					
MATERIAL					
NEXT ASSY USED ON APPLICATION					
SIZE	CODE IDENT NO.	NUMBER	REV.		
D	15912	1437012-1	P		
SCALE	N T S	Customer Drawing	SHEET	OF	

单击下面可查看定价，库存，交付和生命周期等信息

[>>TE Connectivity\(泰科\)](#)