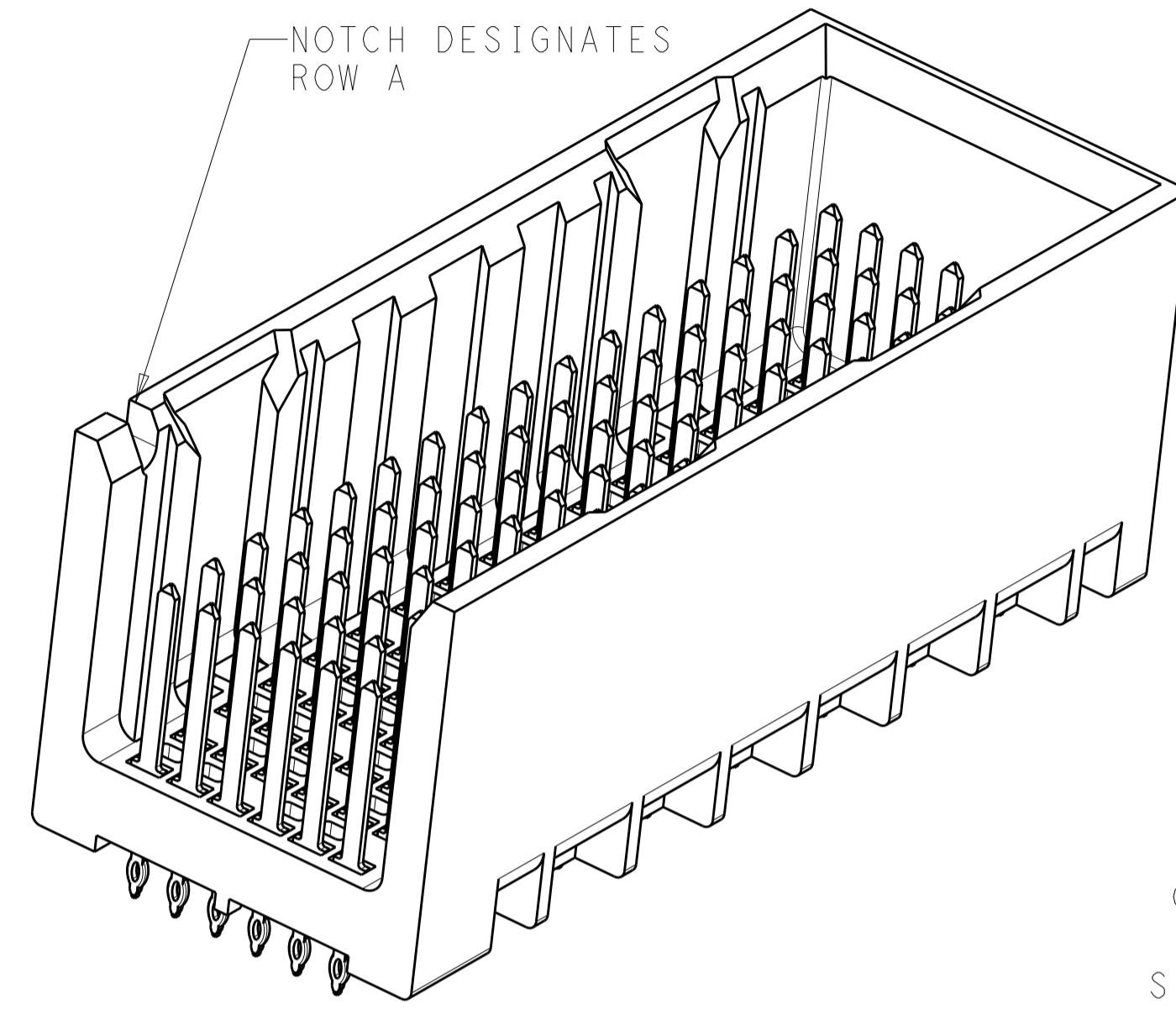
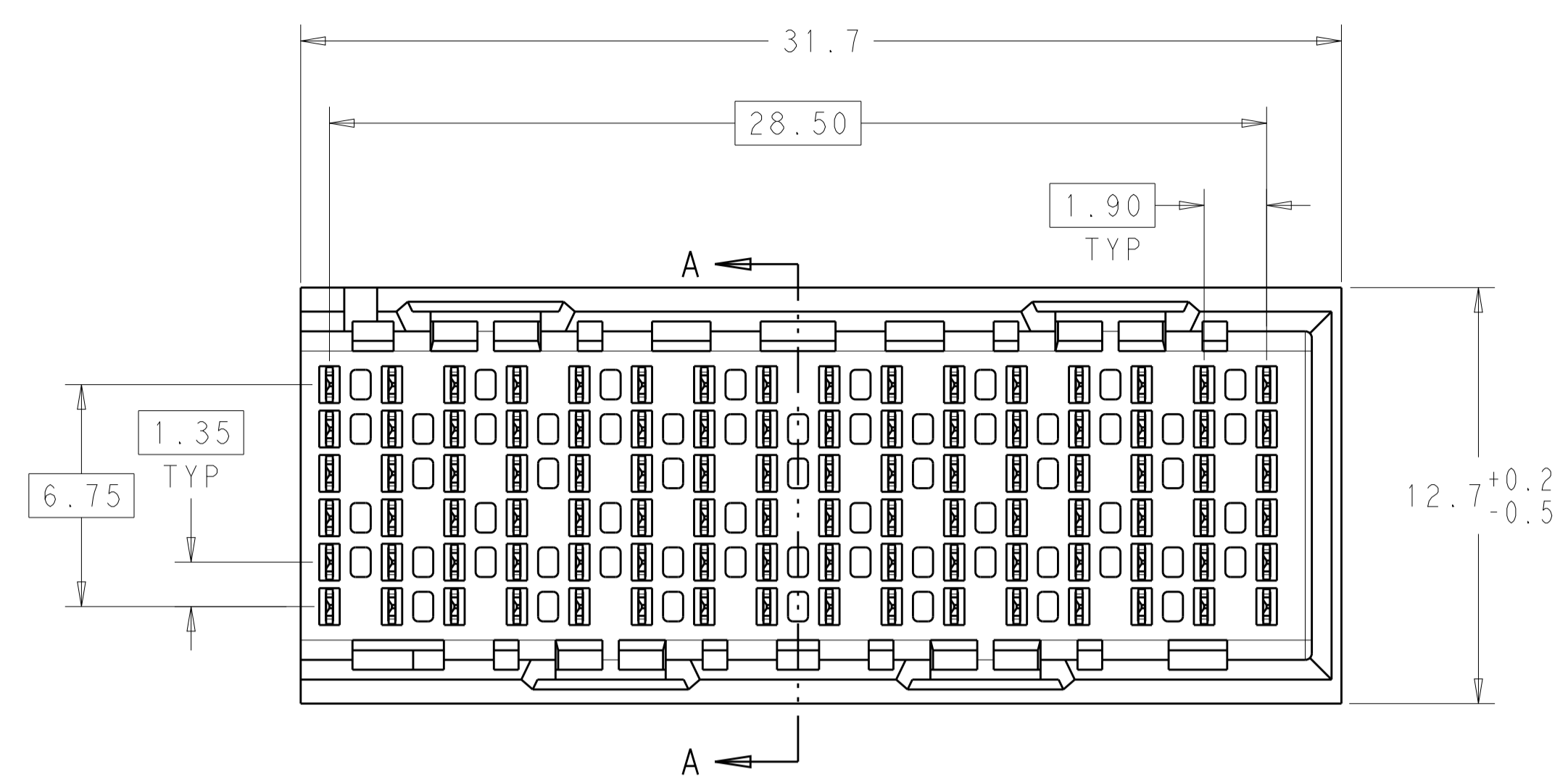
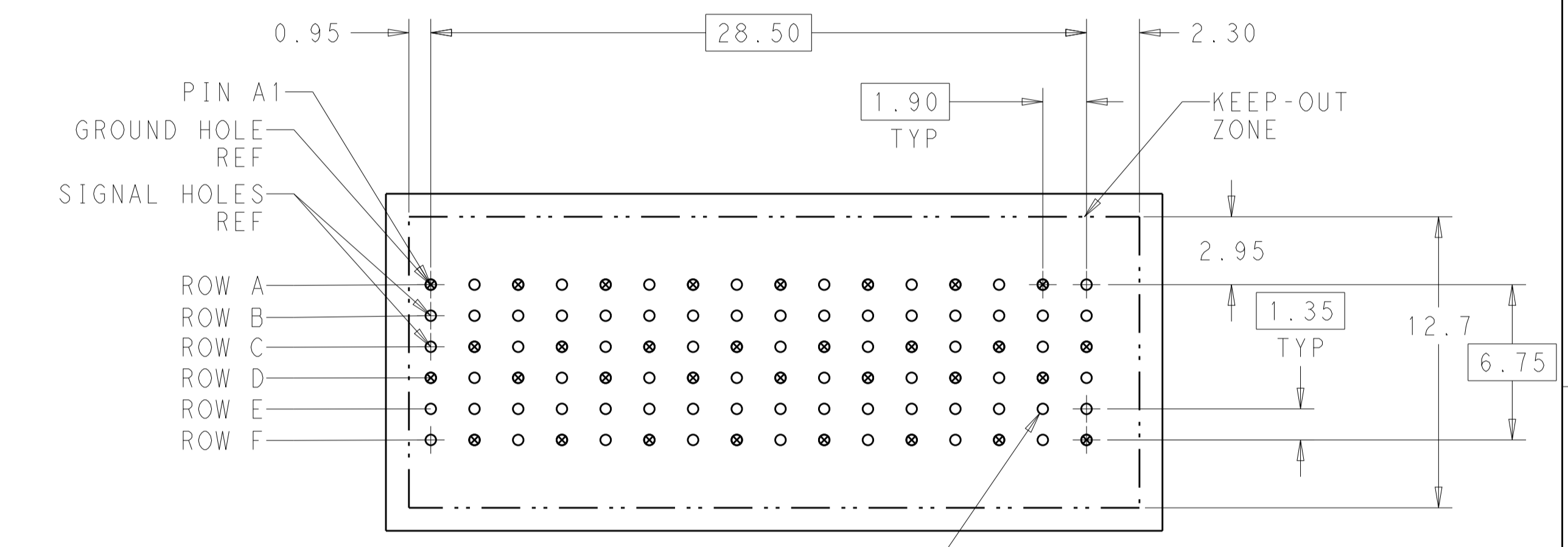


| LOC | | DIST | | REVISIONS | | | |
|-----|----|------|-----|---------------------------|-----------|-----|------|
| AD | 00 | P | LTH | DESCRIPTION | DATE | DWN | APVD |
| | | B1 | | REVISED PER ECO-15-001498 | 02FEB2015 | AP | DD |



⚠ MATERIAL:
 HOUSING: LCP, GLASS FILLED, UL94V-0.
 TERMINALS: HIGH PERFORMANCE COPPER ALLOY.

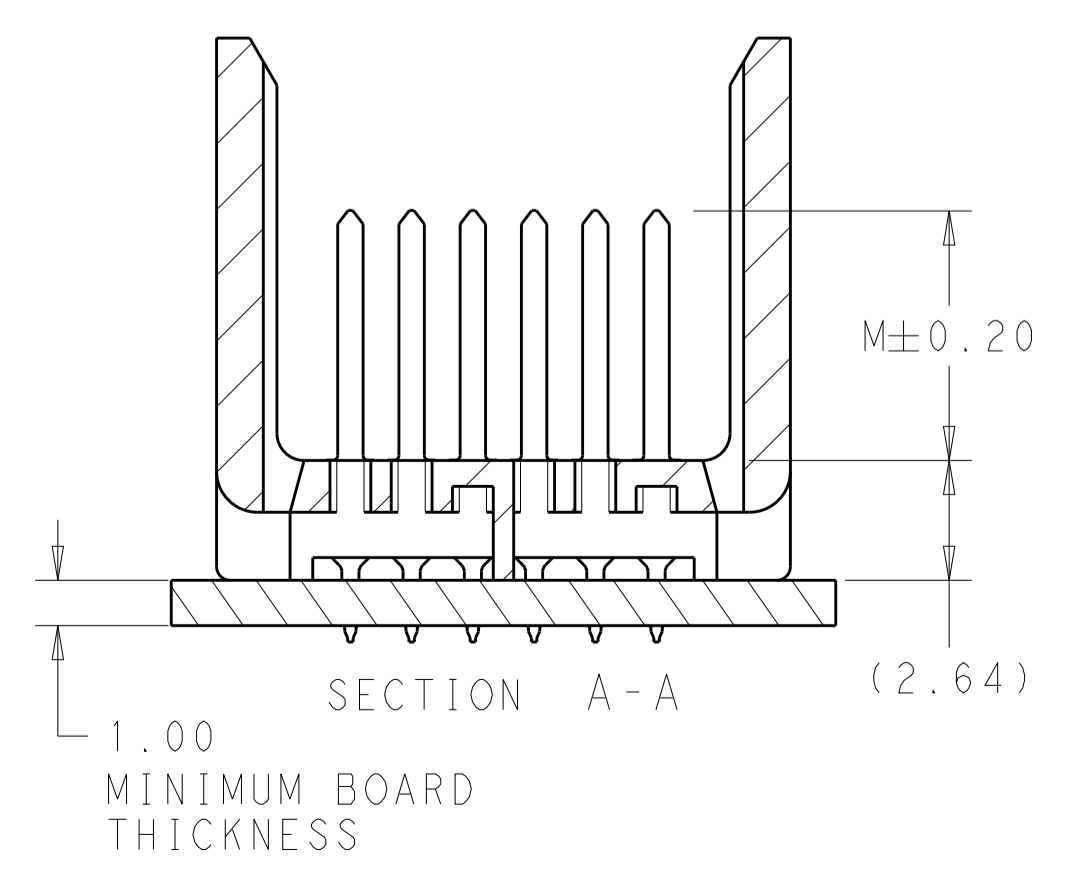
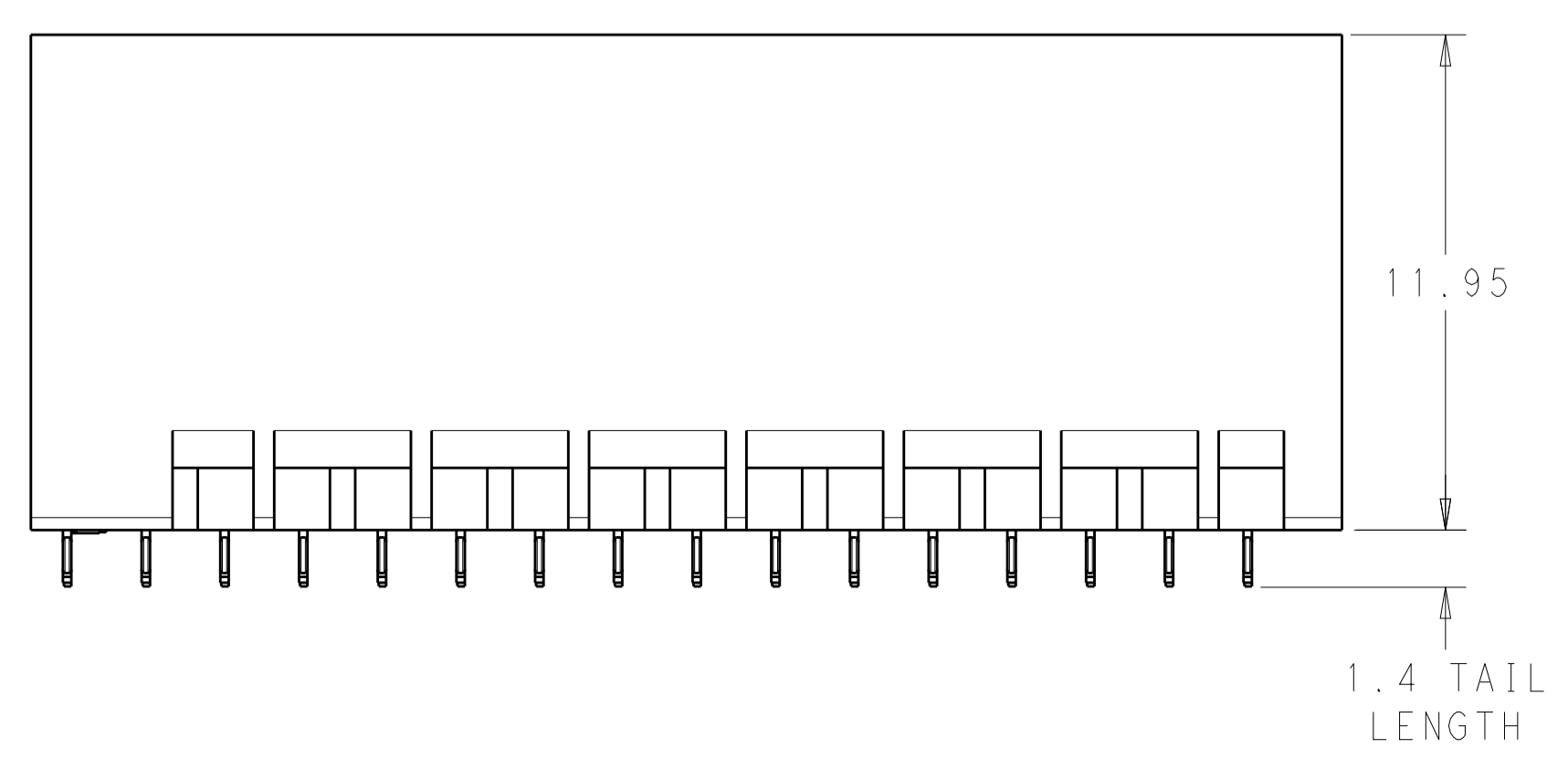
⚠ FINISH:
 30μ" MIN GOLD IN CONTACT AREA. SELECTIVE TIN
 ON PCB TAILS, NICKEL OVERALL.



96X $\varnothing 0.46 \pm 0.05$
 PLATED THRU HOLE

96X $\varnothing 0.55 \pm 0.013$
 DRILL HOLE
 $\varnothing 0.10$

UNGUIDED
 BACKPLANE HOLE PATTERN
 (CONNECTOR SIDE)



| | | | |
|---|--|-------------------------------|--|
| THIS DRAWING IS A CONTROLLED DOCUMENT. | | DWN R. COELLO 27APR2011 | TE Connectivity |
| DIMENSIONS: mm | | CHK J. EARY 27APR2011 | |
| TOLERANCES UNLESS OTHERWISE SPECIFIED: | | APVD J. EARY 27APR2011 | NAME IMPACT, 2 PAIR, 16 COLUMN, HEADER UNGUIDED, RIGHT END WALL SIGNAL MODULE, 0.46 PTH |
| 0 PLC ± 1 PLC ±0.25 2 PLC ±0.13 3 PLC ± 4 PLC ± ANGLES ± | | PRODUCT SPEC | SIZE A100779C=2057747 |
| MATERIAL SEE TABLE | | APPLICATION SPEC | RESTRICTED TO |
| FINISH SEE TABLE | | WEIGHT | SCALE 6:1 SHEET 1 OF 2 REV B1 |
| | | Customer Drawing | |

THIS DRAWING IS UNPUBLISHED. RELEASED FOR PUBLICATION 20
 © COPYRIGHT 20 BY - ALL RIGHTS RESERVED.

| LOC | DIST | REVISIONS | | | | | |
|-----|------|-----------|-----|-------------|------|-----|------|
| | | P | LTN | DESCRIPTION | DATE | DMN | APVD |
| AD | 00 | - | - | SEE SHEET 1 | - | - | - |
| | | | | | | | |
| | | | | | | | |

| | | |
|--------|-------|-------------|
| | 5.5 | 2057747-3 |
| | 4.9 | 2057747-2 |
| | 4.5 | 2057747-1 |
| FINISH | DIM M | PART NUMBER |

REFER TO WWW.TE.COM
FOR PRODUCT AVAILABILITY

| | | | |
|--|------------------|-------------------------|--|
| THIS DRAWING IS A CONTROLLED DOCUMENT. | | DMN R. COELLO 27APR2011 | |
| | | CHK J. EARY 27APR2011 | |
| DIMENSIONS: | | APVD J. EARY 27APR2011 | NAME IMPACT, 2 PAIR, 16 COLUMN, HEADER UNGUIDED, RIGHT END WALL SIGNAL MODULE, 0.46 PTH |
| TOLERANCES UNLESS OTHERWISE SPECIFIED: | | PRODUCT SPEC | |
| mm | 0 PLC ± | APPLICATION SPEC | SIZE CAGE CODE DRAWING NO RESTRICTED TO |
| | 1 PLC ±0.25 | WEIGHT | A100779C=2057747 |
| | 2 PLC ±0.13 | Customer Drawing | SCALE 5:1 SHEET 2 OF 2 REV B1 |
| | 3 PLC ± | | |
| | 4 PLC ± | | |
| | ANGLES ± | | |
| MATERIAL | FINISH SEE TABLE | | |

单击下面可查看定价，库存，交付和生命周期等信息

[>>TE Connectivity\(泰科\)](#)