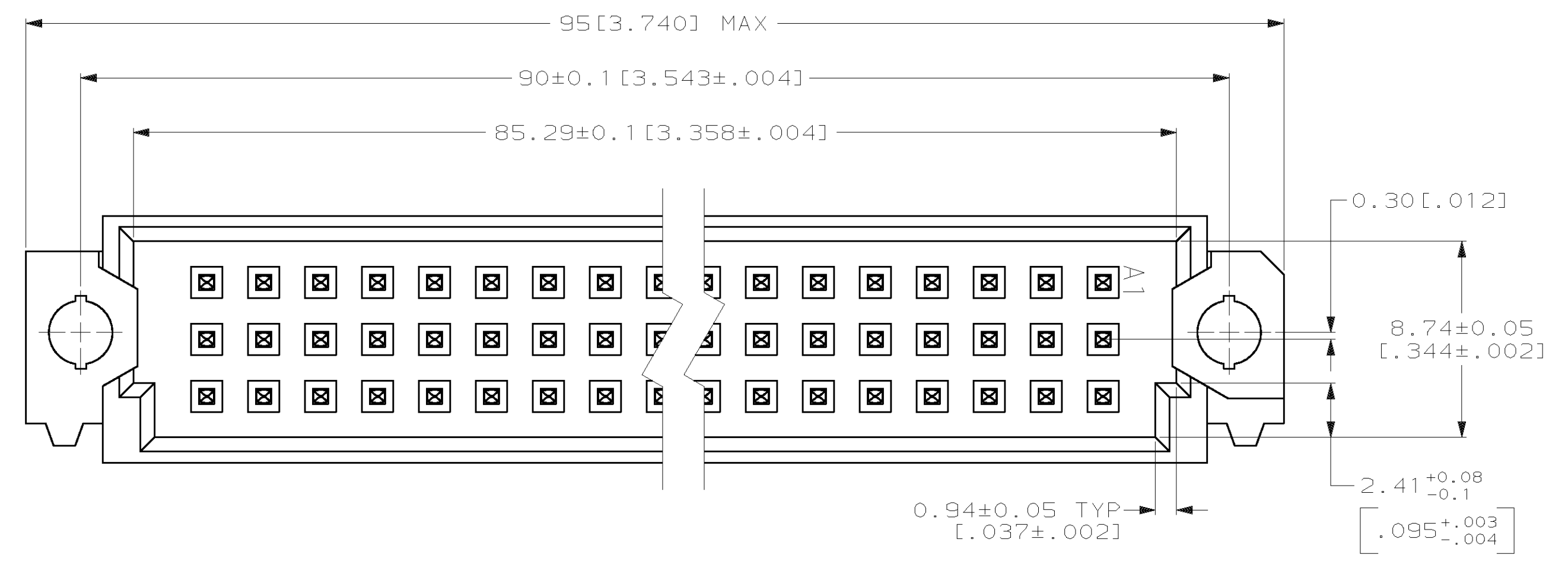
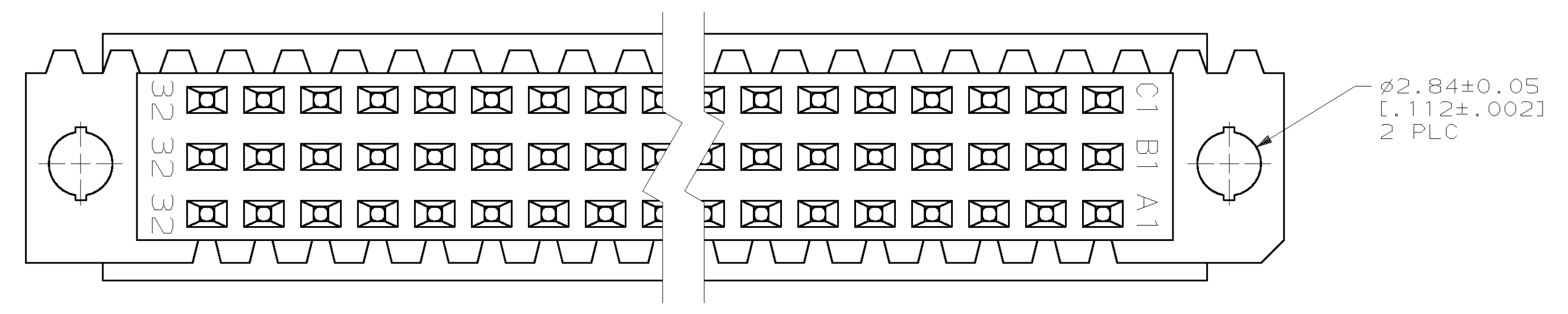
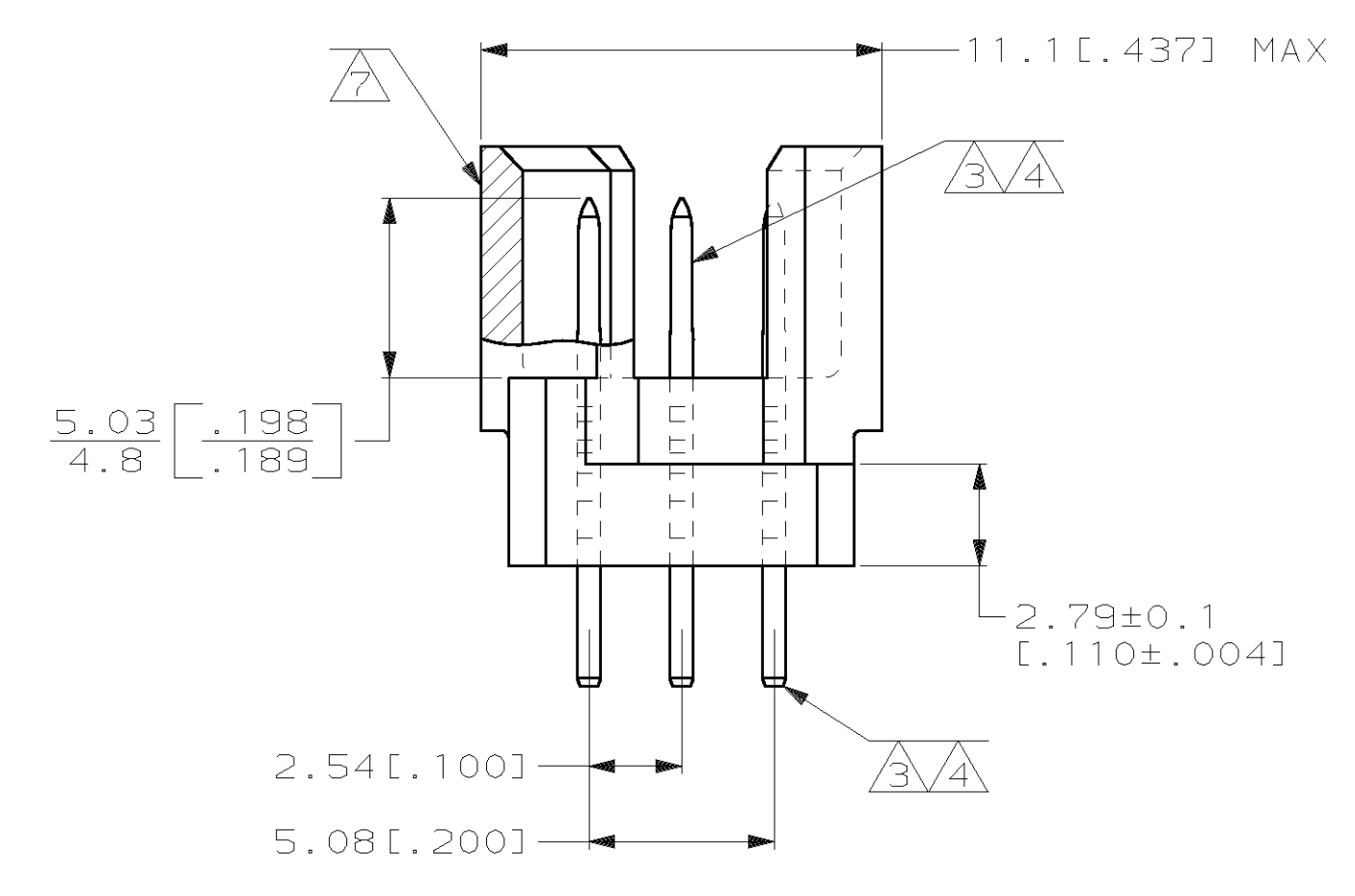
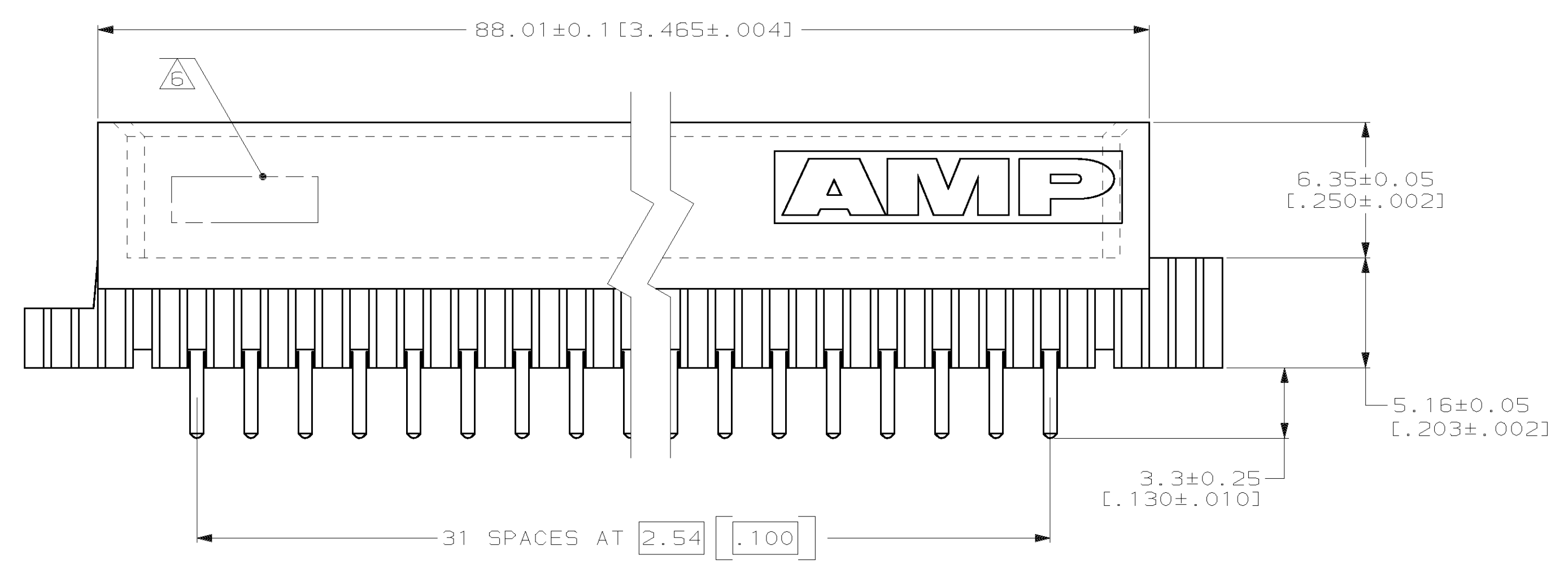


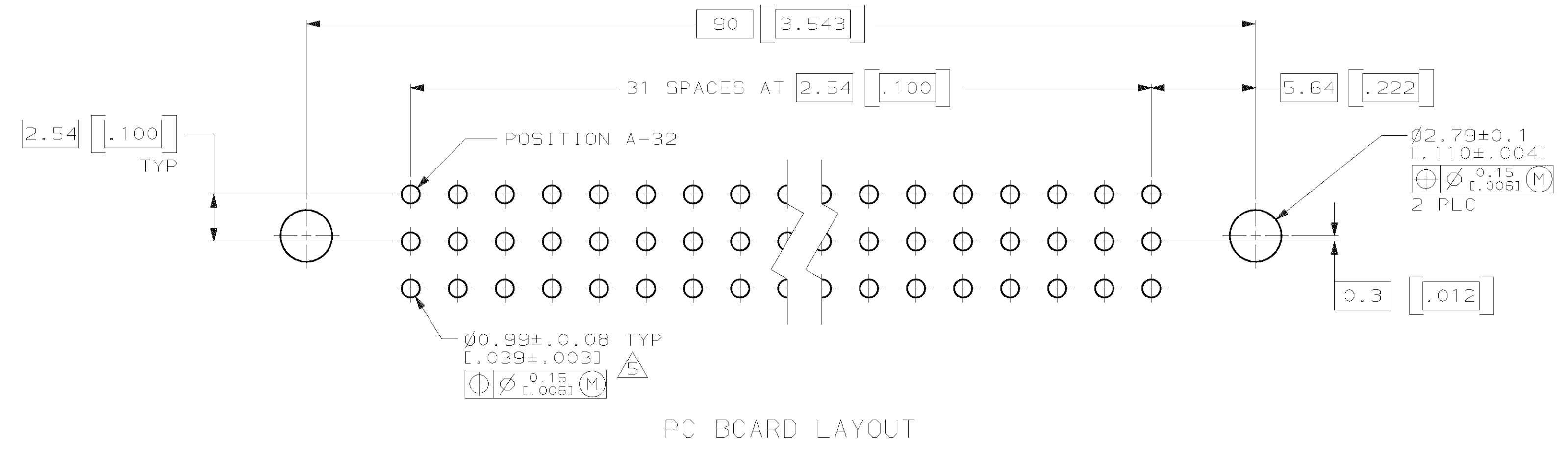
LOC	DIST	P	F	ZONE	LTR	REVISIONS		
						DESCRIPTION	DATE	APPD
					F	EC 0010-1559-93	11/8/93	LSB
					G	EC 0010-0436-94	3/25/94	LSB
					H	EC 0010-0971-94	7/13/94	LSB
					J	REV PER EC 0512-0016-03	09JAN04	AS



- ① HOUSING MATERIAL: GLASS-FILLED POLYESTER. COLOR: GRAY.
- ② POST MATERIAL: BRASS.
- ③ POST FINISH: DIN 41612 CLASS 3 IN CONTACT AREA. TIN-LEAD PLATE ON POSTS.
- ④ POST FINISH: DIN 41612 CLASS 2 IN CONTACT AREA. TIN-LEAD PLATE ON POSTS.
- ⑤ RECOMMENDED HOLE SIZE FOR MANUAL APPLICATION OF CONNECTOR ONTO PC BOARD.
- ⑥ [PART NUMBER, DATE CODE] MARKED THIS APPROXIMATE AREA.
- ⑦ MARKING ON THIS SIDE.



NOTES	POSITIONS LOADED	ROWS LOADED			NO. OF LOADED POSITION	ASSY PART NUMBER	
		C	B	A			
OBSOLETE	③	1-32	X	X	X	96	650908-9
	④	1-32	X	X	X	96	650908-5



DO NOT SCALE PRINT. UNLESS SPECIFIED DIMENSIONS IN mm [INCHES]		PART NO	
DR L. BRINER 3/18/91	CHK D.C. RUBENDALL 3/26/91	<b>AMP</b> AMP Incorporated Harrisburg, PA 17105-3608	
TOLERANCES ON: 1 PLC DEC ± 2 PLC DEC ±0.13(.005) ANGLES ±	APPD D.C. RUBENDALL 3/26/91 APPD K.R. PARMER 3/26/91		
MATERIAL HOUSING: ① POST: ②	PRODUCT SPEC	NAME PIN ASSEMBLY, EUROCARD, TYPE R	
FINISH POST: ③④	APPLICATION SPEC	SIZE D	CAGE CODE 00779
	WEIGHT	DRAWING NO 650908	SHEET 1 OF 1

单击下面可查看定价，库存，交付和生命周期等信息

[>>TE Connectivity\(泰科\)](#)