

THIS DRAWING IS UNPUBLISHED. RELEASED FOR PUBLICATION

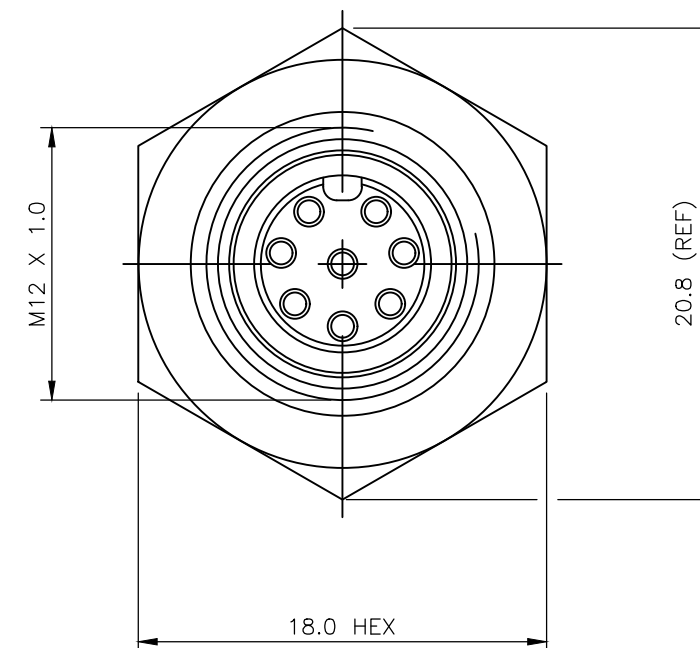
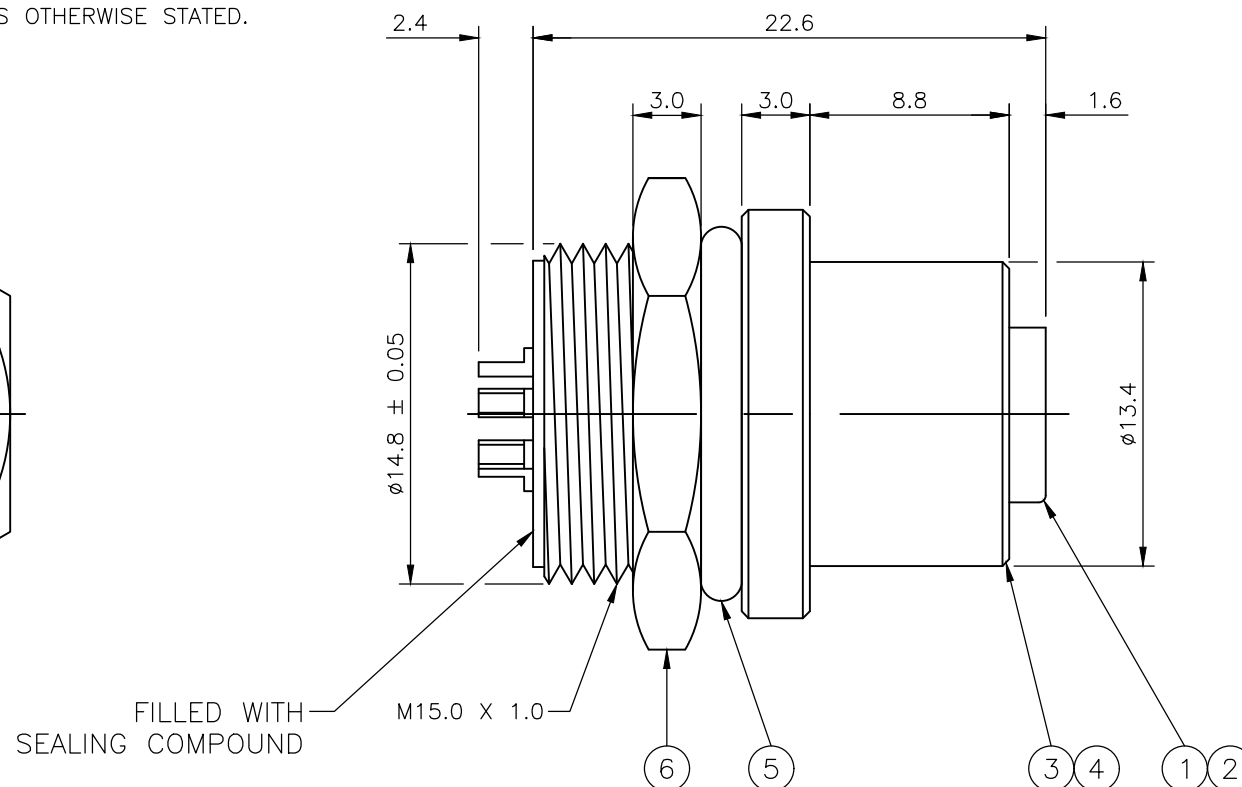
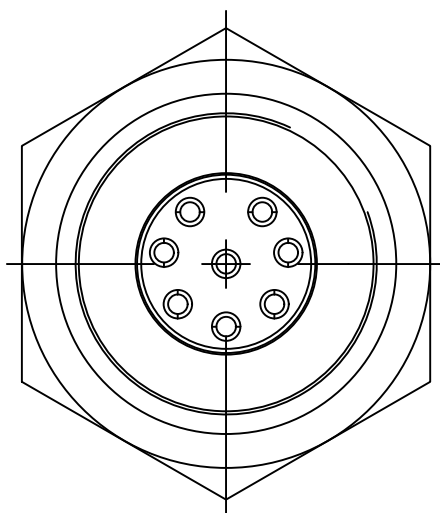
© COPYRIGHT - SOLDER STRAIGHT REAR(CIRCULAR) MOUNTING ALL RIGHTS RESERVED.

LOC	DIST	REVISIONS					
		P	LTR	DESCRIPTION	DATE	DWN	APVD
E	B	A1		REVISED PER ECO-11-005150	21MAR11	RK	HMR
		B		ECR-18-004497, Obsolete P/N	05APR18	TF	CW

NOTES:

- ELECTRICAL DATA: CONTACT RESISTANCE: 10 mOhm MAX  
INSULATION RESISTANCE: 100 MOhm MIN at 500VDC  
CURRENT RATING: 5 AMPS (FOR 3, 4 AND 5 POSITIONS) AND 2 AMPS (FOR 8 POSITION ONLY)  
BREAKDOWN VOLTAGE: 500 VAC MIN PER MINUTE
- ENVIRONMENTAL: OPERATING TEMPERATURE: -25°C TO +90°C  
SEALING REQUIREMENTS: IP67
- PROD SPEC: 108-3641
- PACKAGING: 107-3334
- FOR TECHNICAL DATA REFER TO YOUR LOCAL TE CONNECTIVITY SALES OFFICE.
- ALL DIMENSIONS ARE NOMINAL FOR REFERENCE ONLY UNLESS OTHERWISE STATED.

ITEM	DESCRIPTION	MATERIAL	FINISH/COLOUR	QUANTITY / ITEM			
				-1	-2	-3	-4
1	CONNECTOR HOUSING	GF NYLON	BLACK	1	1	1	1
2	SOCKET CONTACT	BRASS	0.15µm GOLD OVER NICKEL	3	4	5	8
3	CONNECTOR BODY	BRASS	NICKEL PLATED	1	1	1	1
4	'O' RING	VITON	GREEN	1	1	1	1
5	'O' RING	EPDM	BLACK	1	1	1	1
6	SCREW NUT	BRASS	2.5µm NICKEL PLATED	1	1	1	1



	M12 METAL FEMALE PANEL MOUNT CONNECTOR, SOLDER, STRAIGHT, REAR (CIRCULAR) MOUNTING	8	1838415-4
Obsolete	M12 METAL FEMALE PANEL MOUNT CONNECTOR, SOLDER, STRAIGHT, REAR (CIRCULAR) MOUNTING	5	1838415-3
Obsolete	M12 METAL FEMALE PANEL MOUNT CONNECTOR, SOLDER, STRAIGHT, REAR (CIRCULAR) MOUNTING	4	1838415-2
Obsolete	M12 METAL FEMALE PANEL MOUNT CONNECTOR, SOLDER, STRAIGHT, REAR (CIRCULAR) MOUNTING	3	1838415-1
	DESCRIPTION	NO. OF POS	PART NUMBER

FILLED WITH SEALING COMPOUND

THIS DRAWING IS A CONTROLLED DOCUMENT.

DIMENSIONS:	TOLERANCES UNLESS OTHERWISE SPECIFIED:
mm	
	0 PLC ± -
	1 PLC ± -
	2 PLC ± -
	3 PLC ± -
	4 PLC ± -
	ANGLES ± -
MATERIAL	FINISH
-	-

DWN	A.Morey	09MAR06	<b>STE</b> TE Connectivity	
CHK	F.Wheeler-King	12APR06		
APVD	F.Wheeler-King	12APR06		
PRODUCT SPEC	NAME			
APPLICATION SPEC	M12 METAL FEMALE PANEL MOUNT CONNECTOR, SOLDER, STRAIGHT, REAR(CIRCULAR) MOUNTING			
WEIGHT	SIZE	CAGE CODE	DRAWING NO	RESTRICTED TO
-	A3	00779	C-1838415	-
CUSTOMER DRAWING		SCALE	SHEET	REV
		NTS	1 OF 2	B

THIS DRAWING IS UNPUBLISHED. RELEASED FOR PUBLICATION  
 © COPYRIGHT - By - ALL RIGHTS RESERVED.

LOC	DIST	REVISIONS			
P	LTR	DESCRIPTION	DATE	DWN	APVD
-	-	SEE SHEET 1	-	-	-

D

1838415-1

1838415-2

1838415-3

1838415-4

D

C

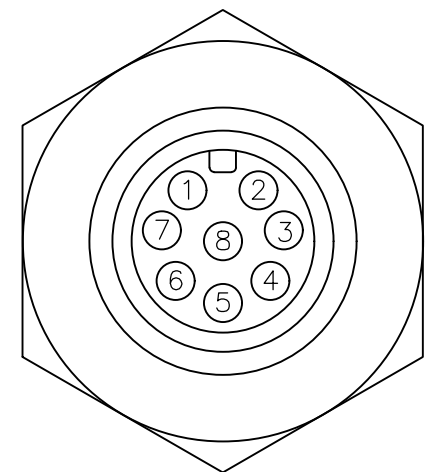
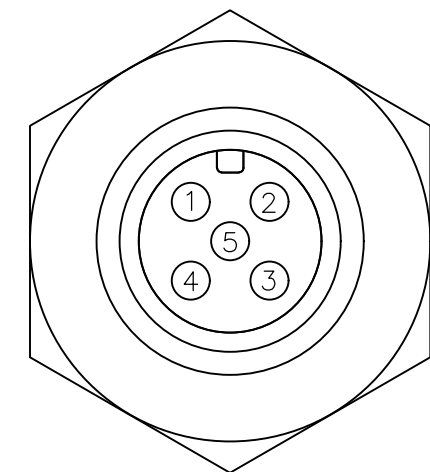
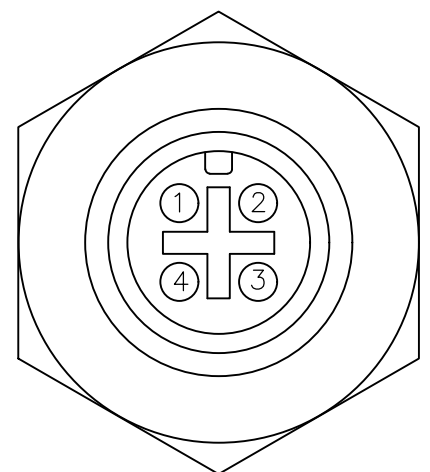
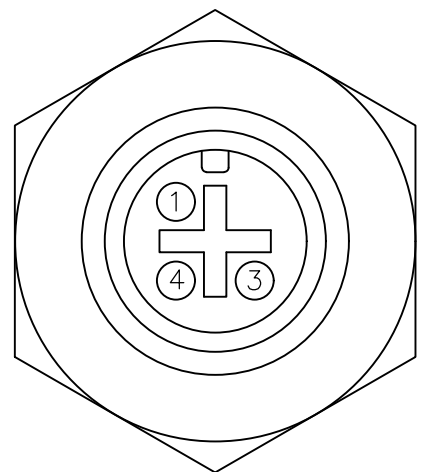
PIN ASSIGNMENTS FRONT VIEW

PIN ASSIGNMENTS FRONT VIEW

PIN ASSIGNMENTS FRONT VIEW

PIN ASSIGNMENTS FRONT VIEW

C



C

C

B

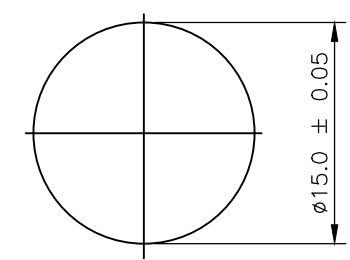
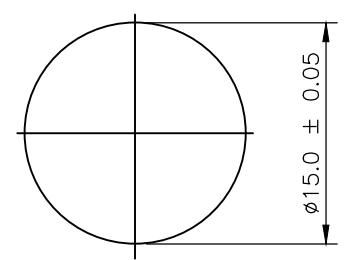
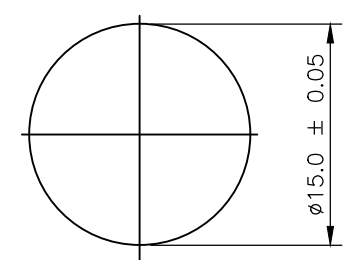
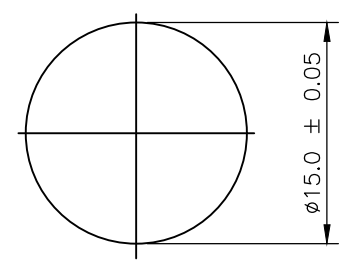
RECOMMENDED PANEL CUT-OUT (MAX PANEL THICKNESS 4.4mm)

RECOMMENDED PANEL CUT-OUT (MAX PANEL THICKNESS 4.4mm)

RECOMMENDED PANEL CUT-OUT (MAX PANEL THICKNESS 4.4mm)

RECOMMENDED PANEL CUT-OUT (MAX PANEL THICKNESS 4.4mm)

B



A

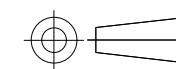
THIS DRAWING IS A CONTROLLED DOCUMENT.

DWN A.Morey 09MAR06  
 CHK F.Wheeler-King 12APR06



DIMENSIONS: mm

TOLERANCES UNLESS OTHERWISE SPECIFIED:



0 PLC	± -
1 PLC	± -
2 PLC	± -
3 PLC	± -
4 PLC	± -
ANGLES	± -

APVD F.Wheeler-King 12APR06  
 PRODUCT SPEC

NAME  
 M12 METAL FEMALE PANEL MOUNT CONNECTOR, SOLDER, STRAIGHT, REAR (CIRCULAR) MOUNTING

MATERIAL

FINISH

APPLICATION SPEC  
 WEIGHT

SIZE	CAGE CODE	DRAWING NO	RESTRICTED TO
A3	00779	C-1838415	-

CUSTOMER DRAWING SCALE NTS SHEET 2 OF 2 REV B

单击下面可查看定价，库存，交付和生命周期等信息

[>>TE Connectivity\(泰科\)](#)