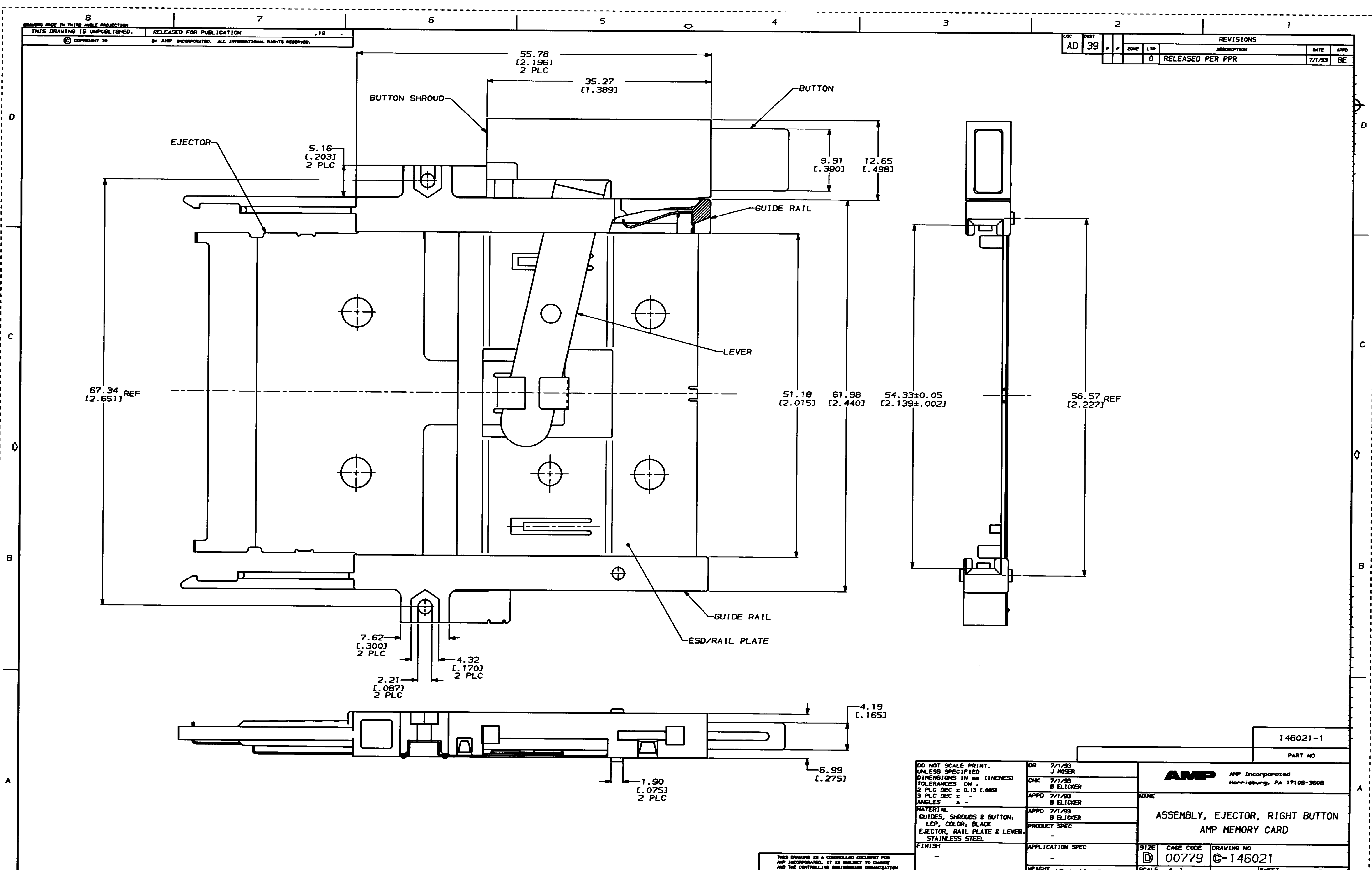


LOC		DIST		ZONE		LTR		REVISIONS		DATE	APPD
AD	39							0	RELEASED PER PPR	7/1/93	BE



THIS DRAWING IS A CONTROLLED DOCUMENT FOR AMP INCORPORATED. IT IS SUBJECT TO CHANGE AND THE CONTROLLING ENGINEERING ORGANIZATION SHOULD BE CONTACTED FOR THE LATEST REVISION.

DO NOT SCALE PRINT.  
 UNLESS SPECIFIED  
 DIMENSIONS IN INCHES  
 TOLERANCES ON:  
 2 PLC DEC ± 0.13 (.005)  
 3 PLC DEC ± -  
 ANGLES ± -  
 MATERIAL  
 GUIDES, SHROUDS & BUTTON,  
 LCP, COLOR, BLACK  
 EJECTOR, RAIL PLATE & LEVER,  
 STAINLESS STEEL  
 FINISH  
 -  
 WEIGHT 17.1 GRAMS

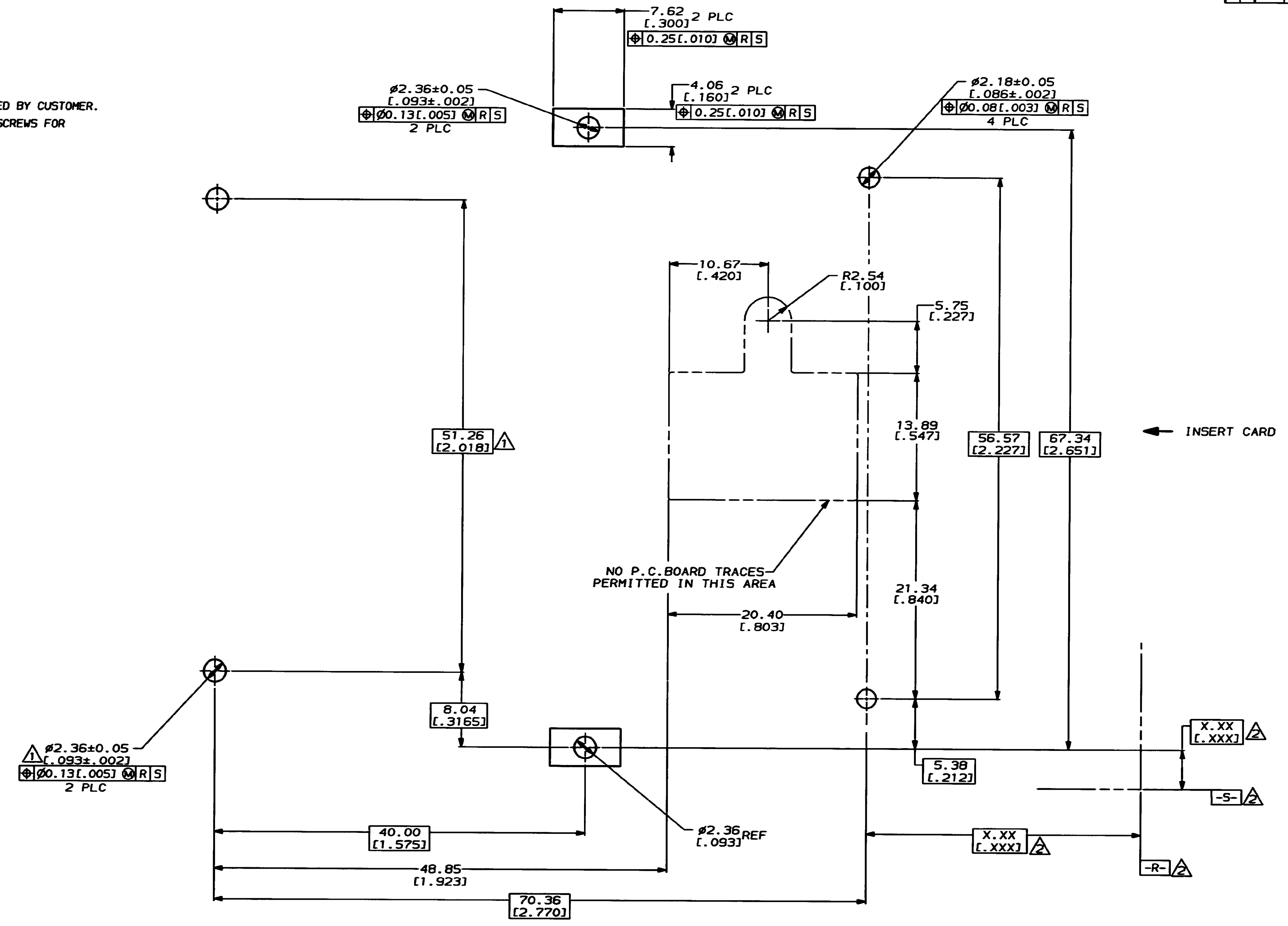
DR 7/1/93  
 J MOSER  
 CHK 7/1/93  
 B ELICKER  
 APPD 7/1/93  
 B ELICKER  
 APPD 7/1/93  
 B ELICKER  
 PRODUCT SPEC  
 -  
 APPLICATION SPEC  
 -  
 WEIGHT 17.1 GRAMS

AMP Incorporated Harrisburg, PA 17105-3608		
NAME ASSEMBLY, EJECTOR, RIGHT BUTTON AMP MEMORY CARD		
SIZE D	CAGE CODE 00779	DRAWING NO C-146021
SCALE 4:1	SHEET 1 OF 2	

146021-1  
 PART NO

LOG		DIST		REVISONS		DATE	APPD
AD	39	P	F	ZONE	LTR	DESCRIPTION	
				0		SEE SHEET ONE	

- ▲ HEADER MOUNTING HOLE LOCATIONS
- ▲ DATUMS & BASIC DIMENSIONS ESTABLISHED BY CUSTOMER.
- 3. ASSEMBLY REQUIRES USE OF 2-SIZE 2M SCREWS FOR FASTENING TO PRINTED CIRCUIT BOARD.



RECOMMENDED BOARD LAYOUT

THIS DRAWING IS A CONTROLLED DOCUMENT FOR AMP INCORPORATED. IT IS SUBJECT TO CHANGE AND THE CONTROLLING ENGINEERING ORGANIZATION SHOULD BE CONTACTED FOR THE LATEST REVISION.

DO NOT SCALE PRINT. UNLESS SPECIFIED DIMENSIONS IN mm (INCHES) TOLERANCES ON : 2 PLC DEC ± 0.13 (.005) 3 PLC DEC ± - ANGLES ± -		DR 7/1/93 J WISER	AMP Incorporated Harrisburg, PA 17105-3608
FINISH -		CHK 7/1/93 B ELICKER	
MATERIAL -		APPD 7/1/93 B ELICKER	NAME
PRODUCT SPEC -		APPD 7/1/93 B ELICKER	ASSEMBLY, EJECTOR, RIGHT BUTTON, AMP MEMORY CARD
APPLICATION SPEC -		SCALE 4:1	SIZE D
WEIGHT -		CAGE CODE C-146021	DRAWING NO
		SHEET 20F2	

单击下面可查看定价，库存，交付和生命周期等信息

[>>TE Connectivity\(泰科\)](#)