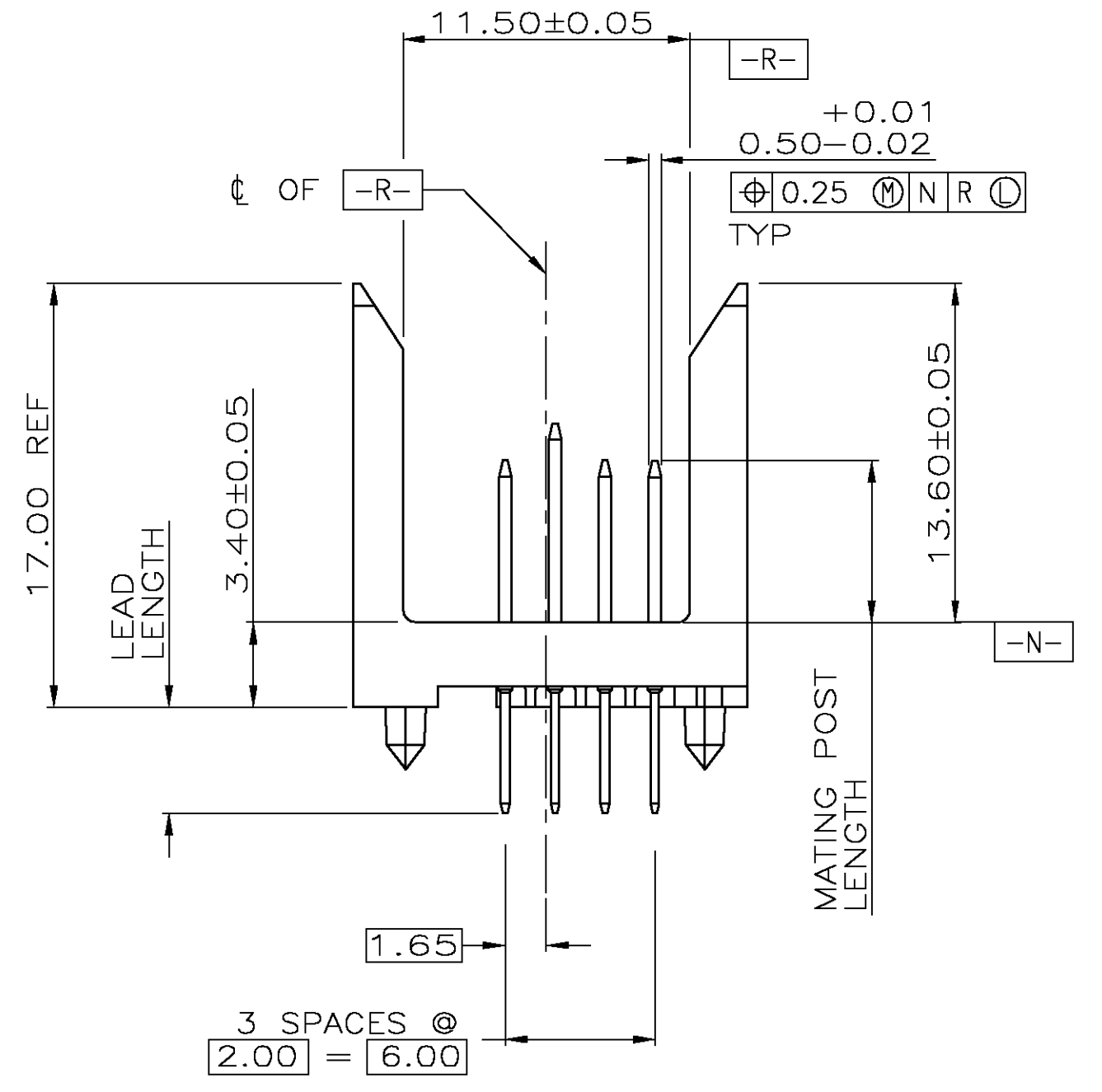
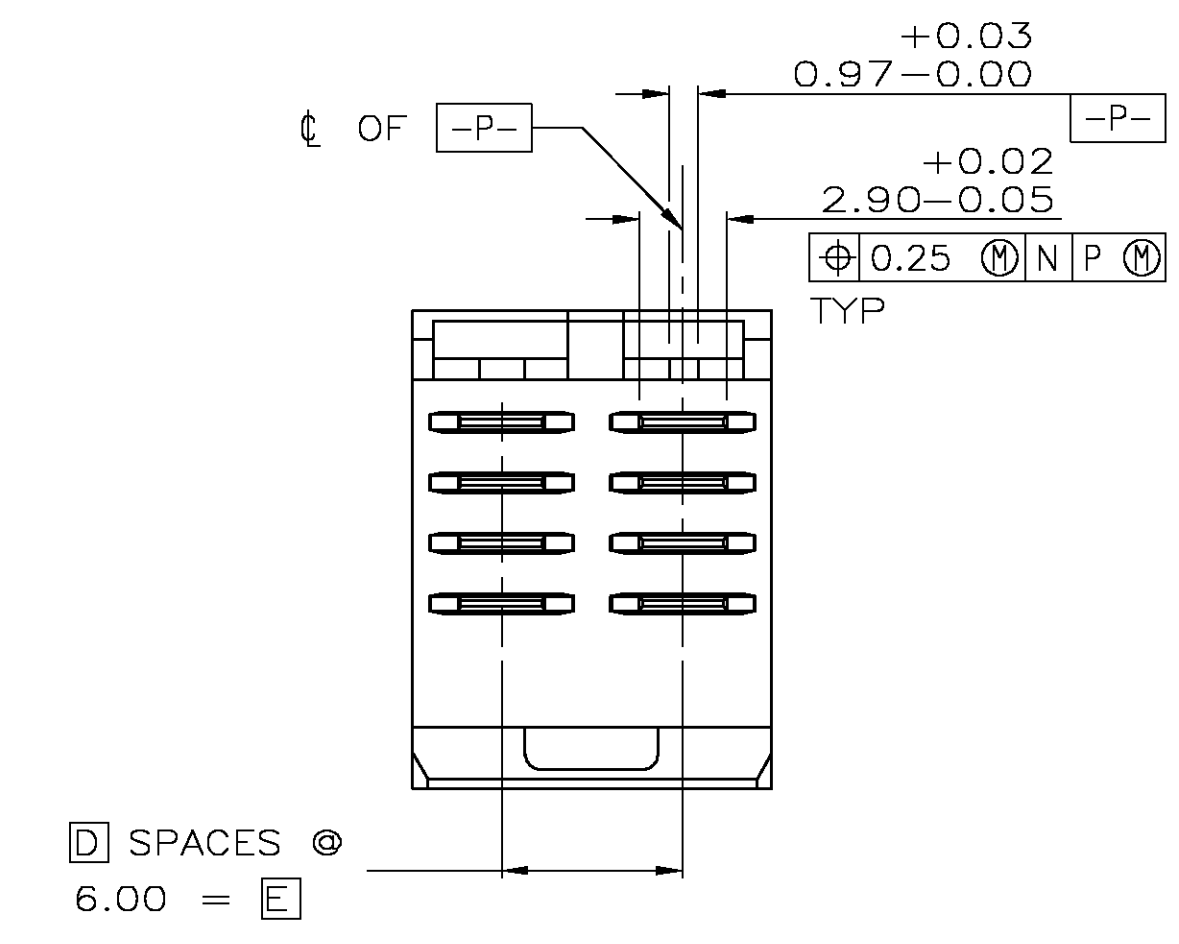
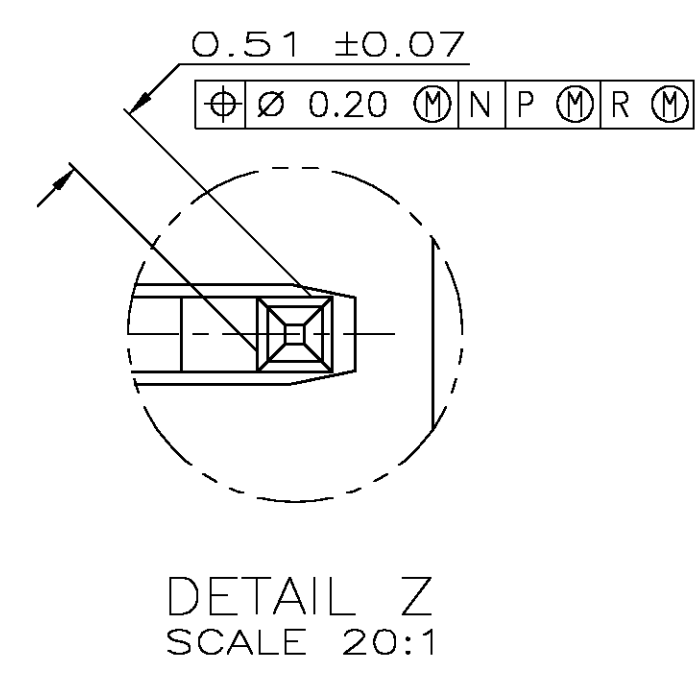
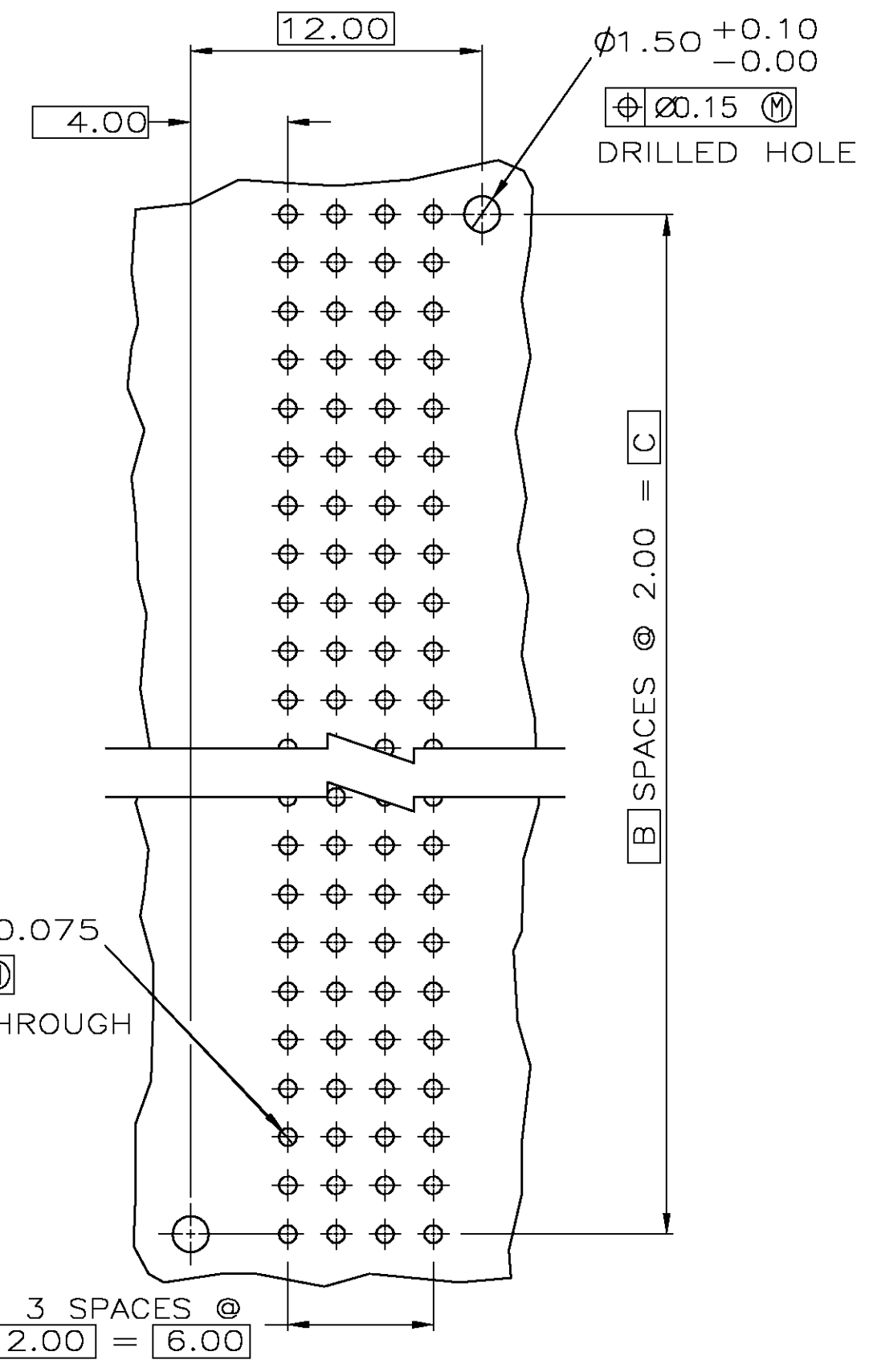
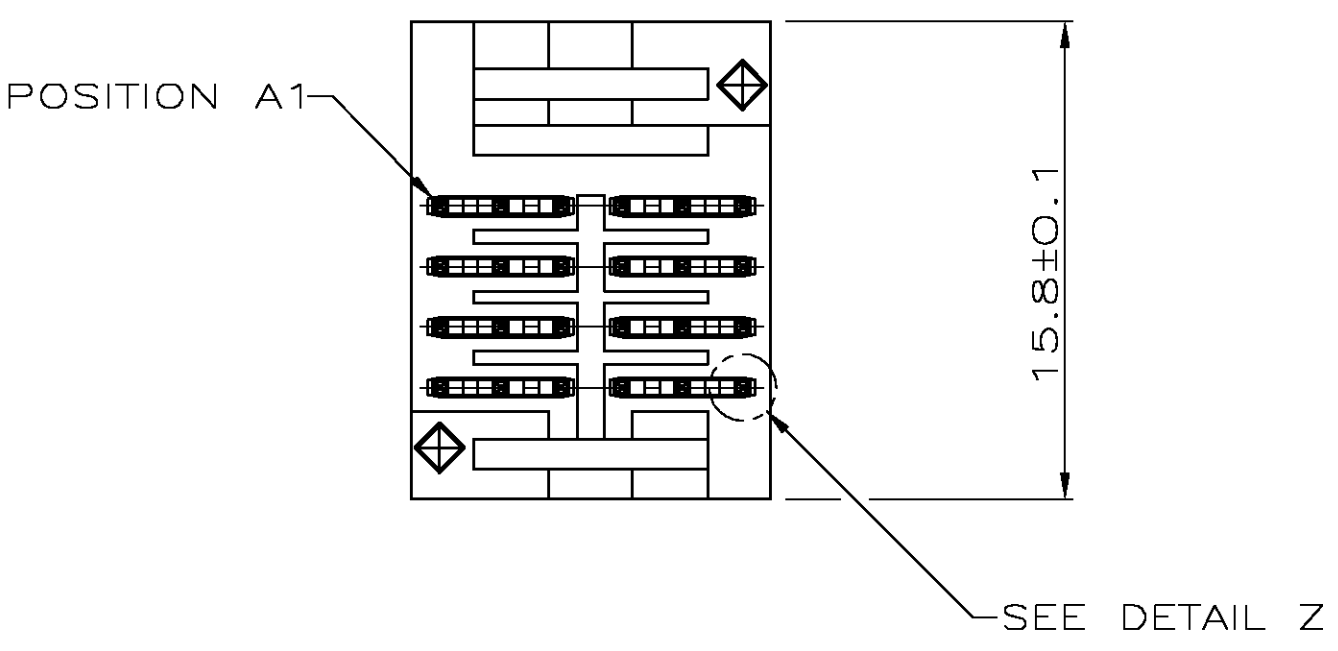
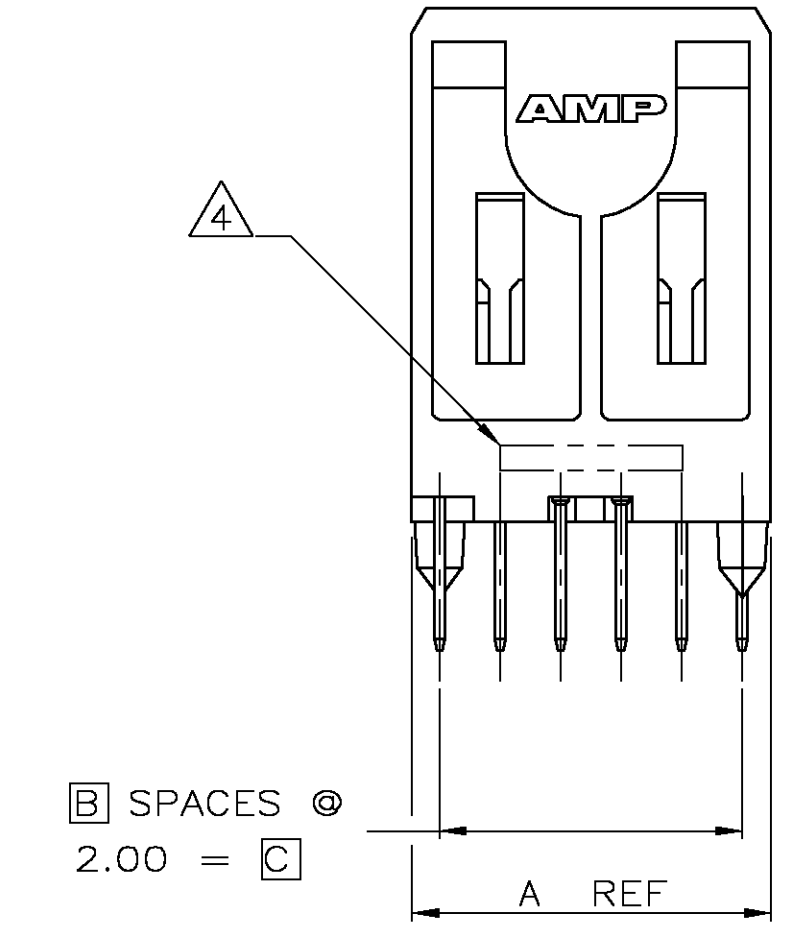


- ① HOUSING MATERIAL: LIQUID CRYSTAL POLYMER  
COLOR: NATURAL.
- ② CONTACT MATERIAL: PHOSPHOR BRONZE PER UNS ALLOY NO. C51100, TEMPER: H04.
- ③ CONTACT FINISH:(E)  
UNDERPLATE (ENTIRE CONTACT):  
0.00127 MIN NICKEL PER SAE-AMS-QQ-N-290  
ON MATING SURFACES:  
FLASH GOLD PER ASTM B 488, OVER  
0.00076 MIN PALLADIUM-NICKEL OVER UNDERPLATE, OR  
0.00076 MIN GOLD PER ASTM B 488 OVER UNDERPLATE.  
ON LEADS:  
0.00381 MIN MATTE TIN PER ASTM B 545 OVER UNDERPLATE.  
LUBRICATION (MIN MATING SURFACES):  
SURFACE CONDITIONER AFTER PLATING.
- ④ PART MARKING LOCATED APPROXIMATELY AS SHOWN.



ROW	D	CA		CA			
	C	CA		CA			
	B	CC		CC			
	A	CA		CA			
		1	2	3	4	5	
		POWER POSITION					

CODE LETTER	MATING POST LENGTH ±0.1	LEAD LENGTH (REF)
CC	8	4.25
CA	6.5	4.25



DETAIL Z  
SCALE 20:1

RECOMMENDED CIRCUIT PATTERN  
 PER IPC-D300 TYPE II, CLASS C  
 (COMPONENT SIDE)

6	1	10	5	11.88	③	8	5536627-1
E	D	C	B	A	FINISH	NO OF POWER POSN	PART NUMBER
THIS DRAWING IS A CONTROLLED DOCUMENT.		DMN R BUCHHEISTER 19/APR/96	Tyco Electronics Corporation		Harrisburg, Pa 17105-3608		
DIMENSIONS: mm [INCHES]		CHK D BAECHTLE 19/APR/96	APVD D BAECHTLE 19/APR/96		NAME		
TOLERANCES UNLESS OTHERWISE SPECIFIED:		PRODUCT SPEC		ASSEMBLY, PIN, POWER, VERTICAL, Z-PACK 2mm FB, 4 ROW, SOLDER LEADS, SEQUENCED BY ROW			
0 PLC ± -		APPLICATION SPEC		SIZE			
1 PLC ± -		MATERIAL		CAGE CODE			
2 PLC ± 0.13[005]		FINISH		DRAWING NO			
3 PLC ± -		① ② ③		RESTRICTED TO			
4 PLC ± -		WEIGHT		A1 00779 C=5536627			
ANGLES ± -		CUSTOMER DRAWING		SCALE 4:1 SHEET 1 OF 1 REV 0			

单击下面可查看定价，库存，交付和生命周期等信息

[>>TE Connectivity\(泰科\)](#)