

THIS DRAWING IS UNPUBLISHED.

RELEASED FOR PUBLICATION

© COPYRIGHT - TE Connectivity Ltd.

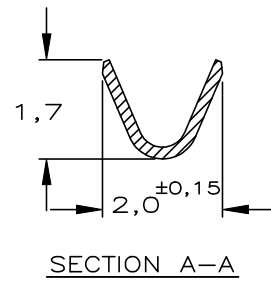
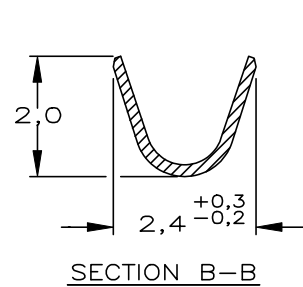
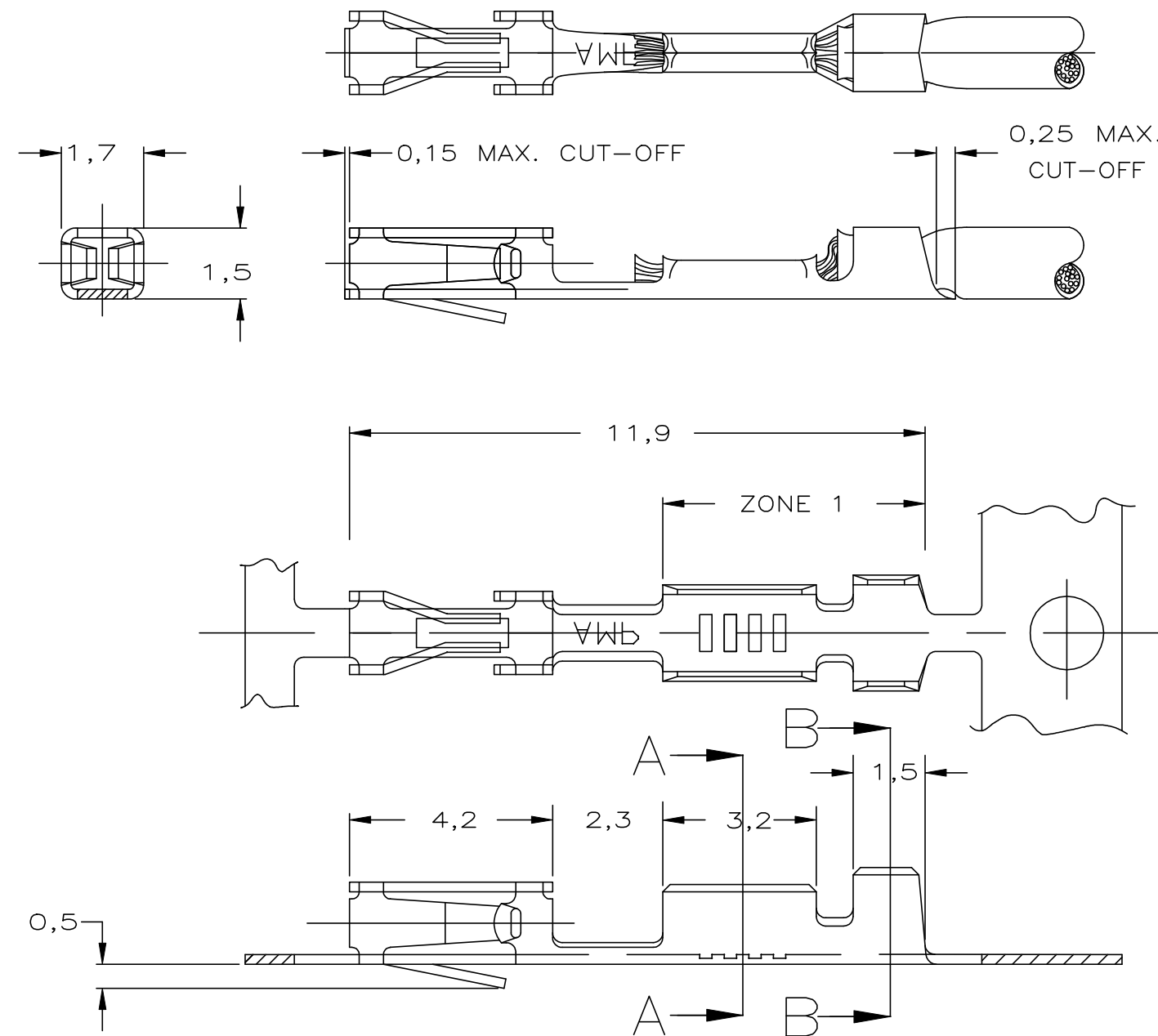
ALL RIGHTS RESERVED.

REVISIONS

P	LTR	DESCRIPTION	DATE	DWN	APVD
	J4	General tolerance addition of +/-0.2	22AUG2019	KJK	PS

NOTES:

- 1 FOR MINI-APPLICATOR-CRIMPING.
- 2 UNDERCOATING:1,25µm Ni, SELECTIVE:0,8µm Au, ZONE 1: 0,5µm MIN. GOLD FLASH.
- 3 UNDERCOATING:1,25µm Ni, SELECTIVE:0,8µm Au, REMAINDER:GOLD FLASH.
- 4 UNDERCOATING:1,25µm Ni, SELECTIVE:0,4µm Au, NO GOLD FLASH.
- 5 UNDERCOATING:1,25µm Ni, SELECTIVE:2,0µm Au, REMAINDER:GOLD FLASH.
- 6 PRE-TINPLATED:2,0µm.
- 7 ZONE 1:BRIGHT TIN/LEAD PLATED.
- 8 MATERIAL: PHOSPHOR BRONZE
- 9 FOR STANDARD-APPLICATOR-CRIMPING.
- 10 FOR REELFED-HANDTOOL-CRIMPING
- 11 24-20 AWG (0,20-0,56 mm²) WITH .055 CRIMPER.
26 AWG (0,12-0,14 mm²) WITH .042 CRIMPER.
- 12 OBSOLETE PARTS: OBSOLETE CIS STREAMLINING PER D.RENAUD/D.SINISI



WIRE RANGE	11
INSUL. RANGE	1,4 MAX. DIA.

THIS DRAWING IS A CONTROLLED DOCUMENT.		DWN R.VISSER 11-11-87		
DIMENSIONS: mm		CHK J.v.LIEMPT		
TOLERANCES UNLESS OTHERWISE SPECIFIED: ±0.2mm		APVD L.v.SOEST	NAME	
0 PLC ± -		PRODUCT SPEC	AMPMODU MOD IV RECEPTACLE,S.C.P.	
1 PLC ± -		APPLICATION SPEC	SIZE A3	CAGE CODE 00779
2 PLC ± -		WEIGHT -	DRAWING NO C=167301	RESTRICTED TO -
3 PLC ± -		CUSTOMER DRAWING	SCALE -	SHEET 1 OF 1
4 PLC ± -				REV J4
ANGLES ± -				
FINISH SEE TABLE				
MATERIAL				

单击下面可查看定价，库存，交付和生命周期等信息

[>>TE Connectivity\(泰科\)](#)