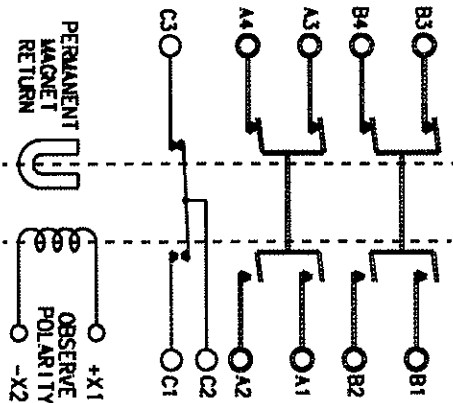
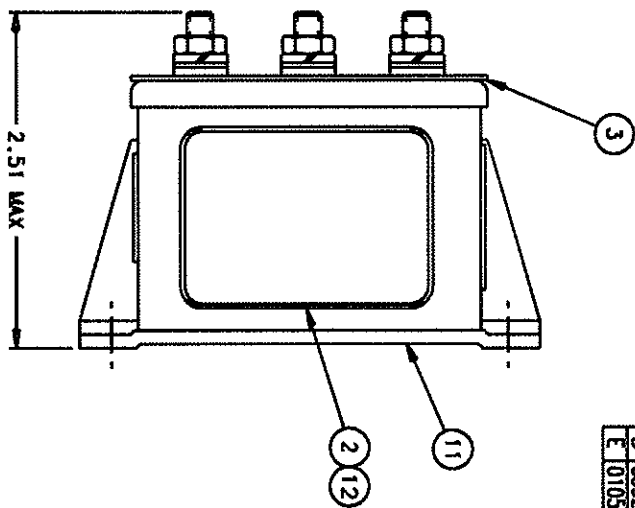
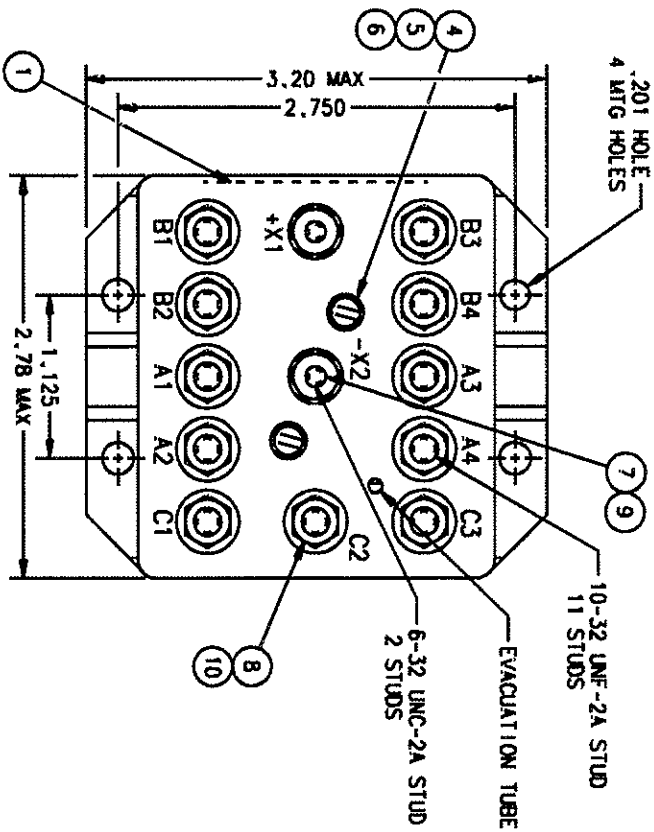


REV	DESCRIPTION	DATE	APPROVED
D	0592-02 REDRAWN - ITEM 6 WAS 51805-021	02/05/26	CC
E	0105-03 ADD ITEM 12	05/12/10	CR



NOTES:
 1. THIS UNIT IS DESIGNED TO THE BASIC REQUIREMENTS OF MIL-R-6106E EXCEPT AS NOTED.

CONSTRUCTION MAIN CONTACTS *A & B* HERMETICALLY SEALED

CONFIGURATION VOLTAGE (NOMINAL) 2 PDT SIDESTABLE

CURRENT RES- 30 AMP

AUXILIARY CONTACTS *C* CONFIGURATION SPDT

VOLTAGE 28 VDC

CURRENT RES- 10 AMP

COIL DATA CONTINUOUS

DUTY CYCLE 28 TO 30 VDC

NOM. COIL VOLTAGE 18 VDC

PICKUP MAX 1.5 VOLTS TO 7.0 VOLTS

DROPOUT VOLTAGE -55°C TO +71°C

ENVIRONMENTAL DATA AMBIENT TEMP.

LIFE ELECTRICAL 50,000 CYCLES MINIMUM

LIFE MECHANICAL 100,000 CYCLES MINIMUM

MAX WEIGHT (EST) 16 OZ.

QTY	DESCRIPTION	PART OR IDENTIFYING NO	QUANTITY	DESCRIPTION	DRG NO.	SCALE	DATE	BY	CHK BY	DATE	DRG NO.	SCALE	DATE	BY	CHK BY	DATE
12	OVERLAY	39529-001	1	OVERLAY												
11	PRIMARY ASSEMBLY	36532-010	1	PRIMARY ASSEMBLY												
10	WASHER - LOCK NO 10 SPLIT	51810-031	1	WASHER - LOCK NO 10 SPLIT												
9	WASHER - LOCK NO. 6 SPLIT	51806-021	2	WASHER - LOCK NO. 6 SPLIT												
8	NUT - 10-32 X 5/16 X 9/64 HEX	50410-051	11	NUT - 10-32 X 5/16 X 9/64 HEX												
7	NUT - 6-32 X 1/4 X 3/64 HEX	50405-031	2	NUT - 6-32 X 1/4 X 3/64 HEX												
6	WASHER - LOCK NO. 5 SPLIT	51805-011	2	WASHER - LOCK NO. 5 SPLIT												
5	SCREW - 5-40 X 3/16 BD.HD.	51205-061	2	SCREW - 5-40 X 3/16 BD.HD.												
4	SPACER	07517-002	2	SPACER												
3	PLATE - BASE COVER	16782-001	1	PLATE - BASE COVER												
2	PLATE - WIRING DIAGRAM	16801-001	1	PLATE - WIRING DIAGRAM												
1	PLATE - NAME	16043-001	1	PLATE - NAME												

TYCO Electronics
 121 Horton Road, Division 115 W. Duxbury Street, Weymouth, MA 01988

CONTACTOR 2PDT SIDESTABLE
 30 AMP 28 VDC 093

DH-7PG
 REF TYCO P/N 1-1616089-1

单击下面可查看定价，库存，交付和生命周期等信息

[>>TE Connectivity\(泰科\)](#)