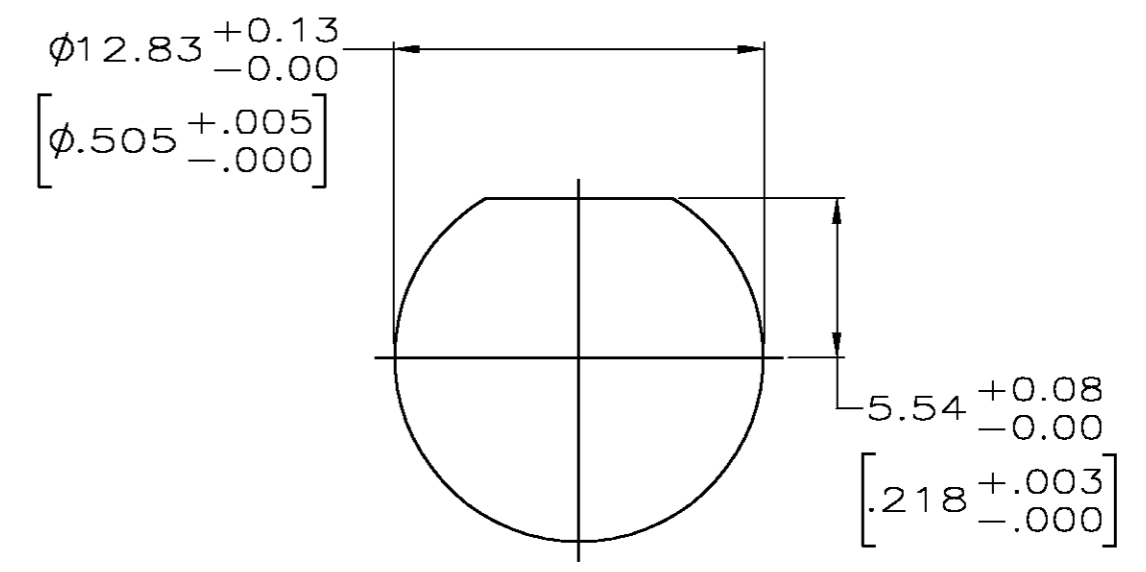
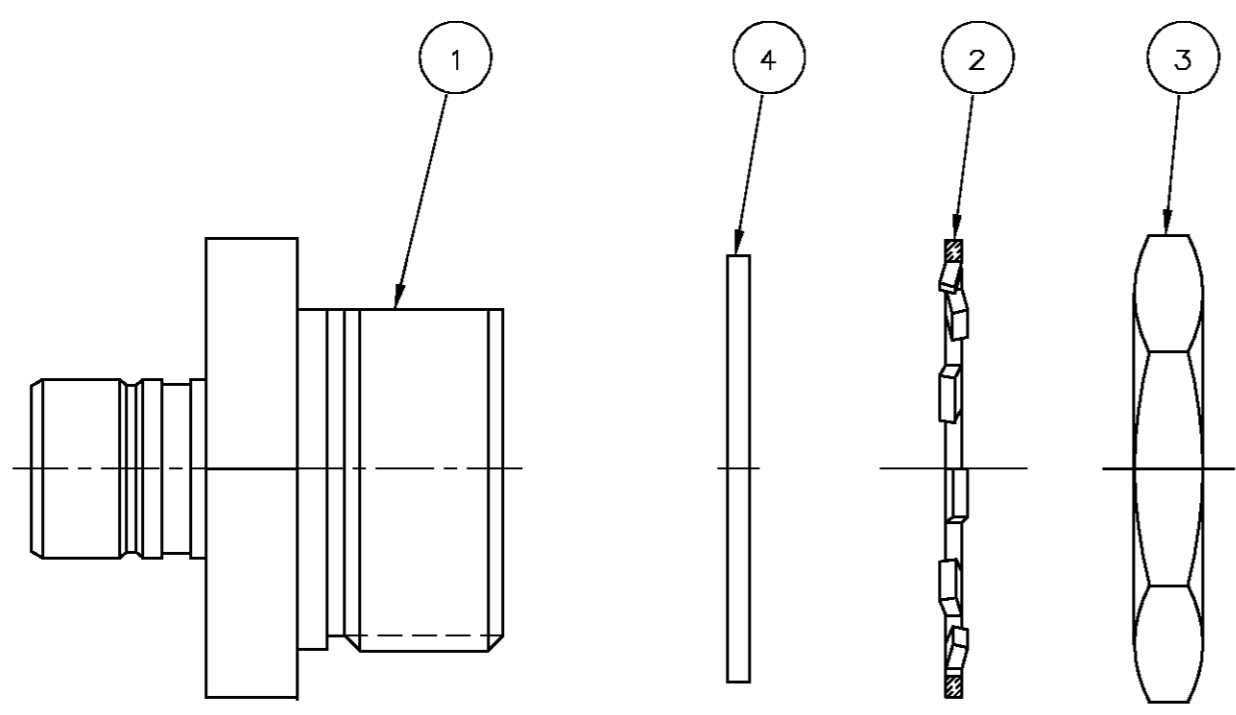
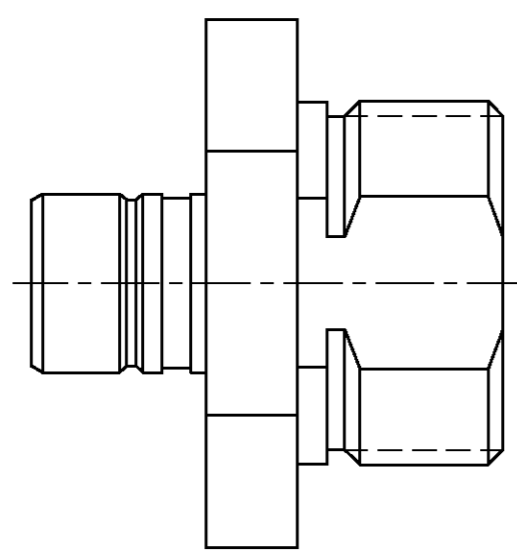


LOC	DIST	REVISIONS			
P	LTR	DESCRIPTION	DATE	DWN	APVD
AJ	31	E OBS -2 PER OS14-0487-02	27APR04	GV	KW



RECOMMENDED PANEL CUTOUT
SCALE 4:1

OBSOLETE	415390-1	2-329631-0	1-329632-2	415386-2	415385-2
	415390-1	2-329631-0	1-329632-2	415386-1	415385-1
	④ GASKET QTY=1	③ JAM NUT QTY=1	② LOCK WASHER QTY=1	① PLUG ASSEMBLY QTY=1	PART NUMBER

THIS DRAWING IS A CONTROLLED DOCUMENT.

DIMENSIONS: mm[INCHES]	TOLERANCES UNLESS OTHERWISE SPECIFIED: 0 PLC ±- 1 PLC ±- 2 PLC ±- 3 PLC ±- 4 PLC ±- ANGLES ±- FINISH -	DWN 4-17-98 BILL MOYER CHK 4-17-98 MICHAEL J. PHILLIPS APVD 4-17-98 MICHAEL J. PHILLIPS PRODUCT SPEC APPLICATION SPEC WEIGHT CUSTOMER DRAWING	AMP Incorporated Harrisburg, PA 17105-3608 ADAPTER, SMB JACK TO F JACK SIZE A2 CAGE CODE 00779 DRAWING NO. 415385 RESTRICTED TO SCALE 4:1 SHEET 1 OF 1 REV E
---------------------------	---	--	---

单击下面可查看定价，库存，交付和生命周期等信息

[>>TE Connectivity\(泰科\)](#)