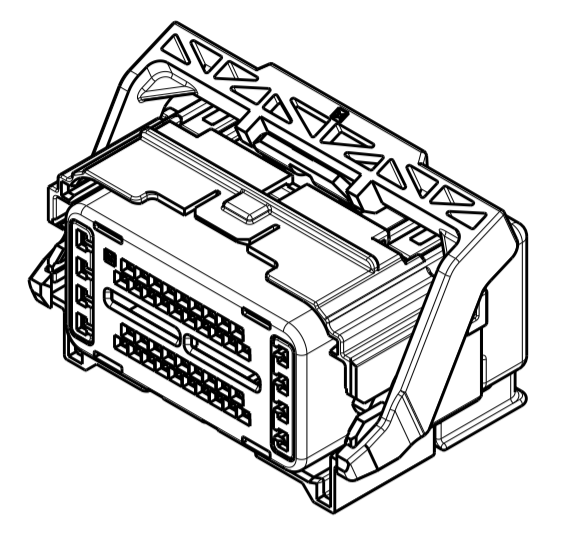
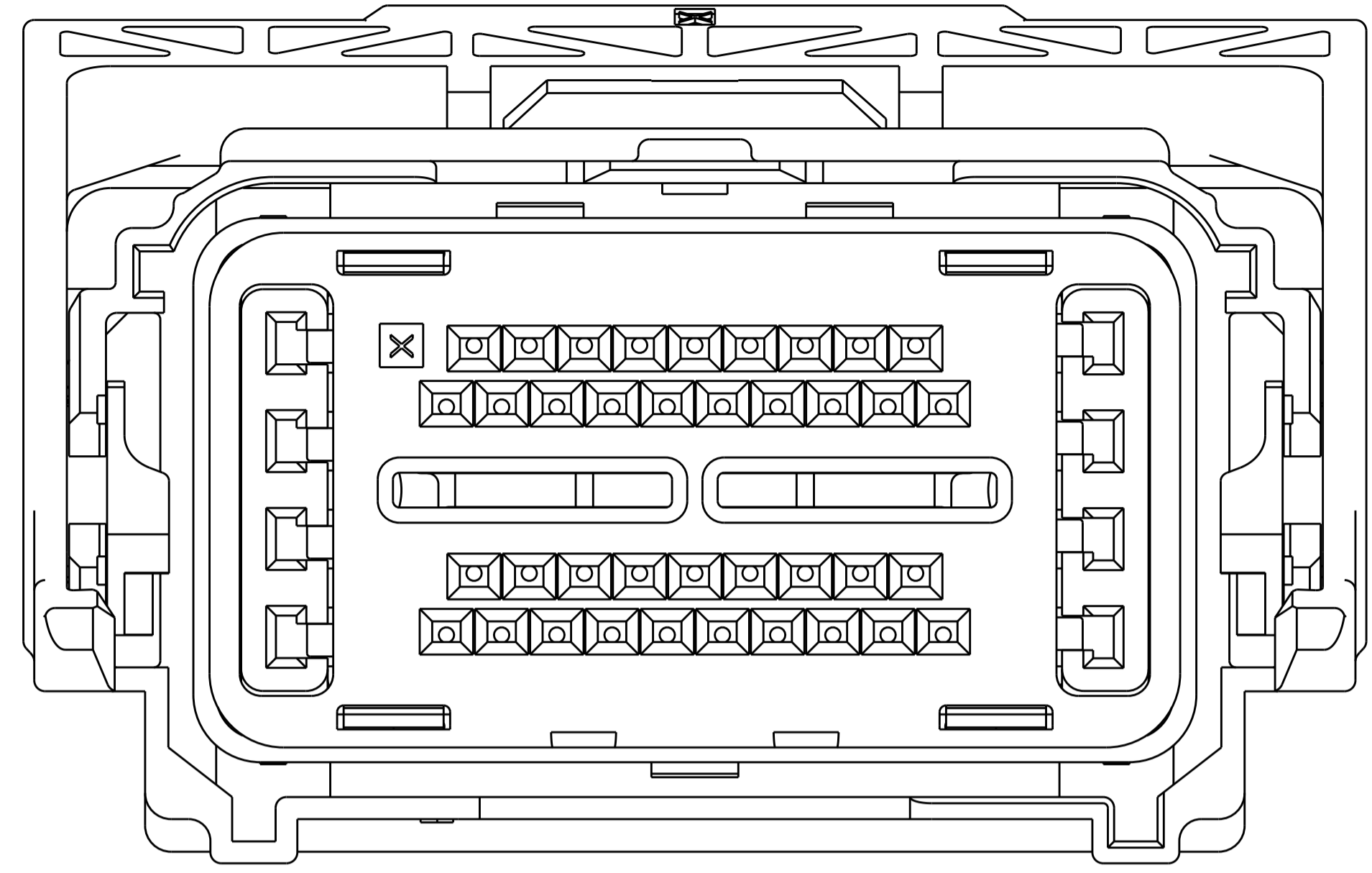
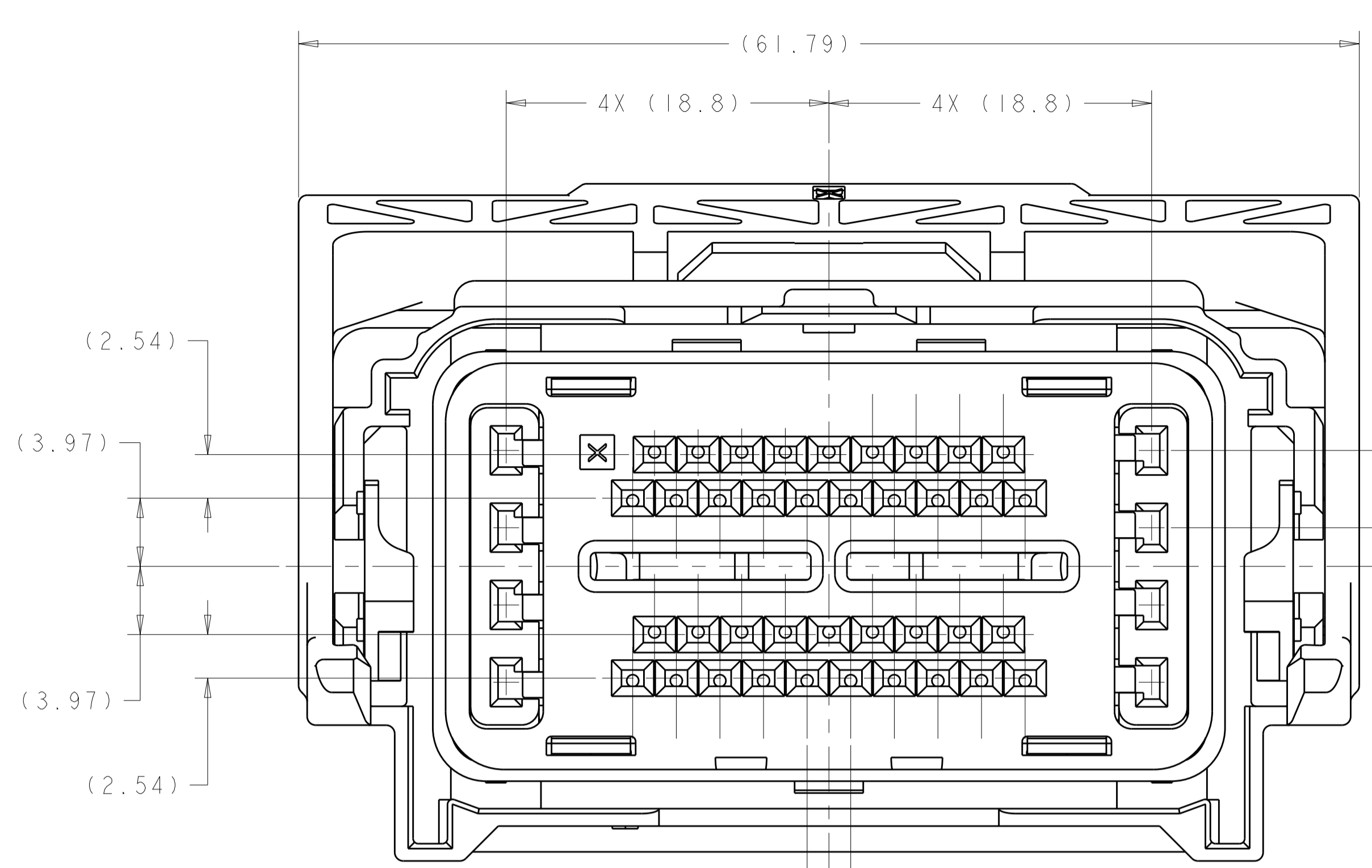
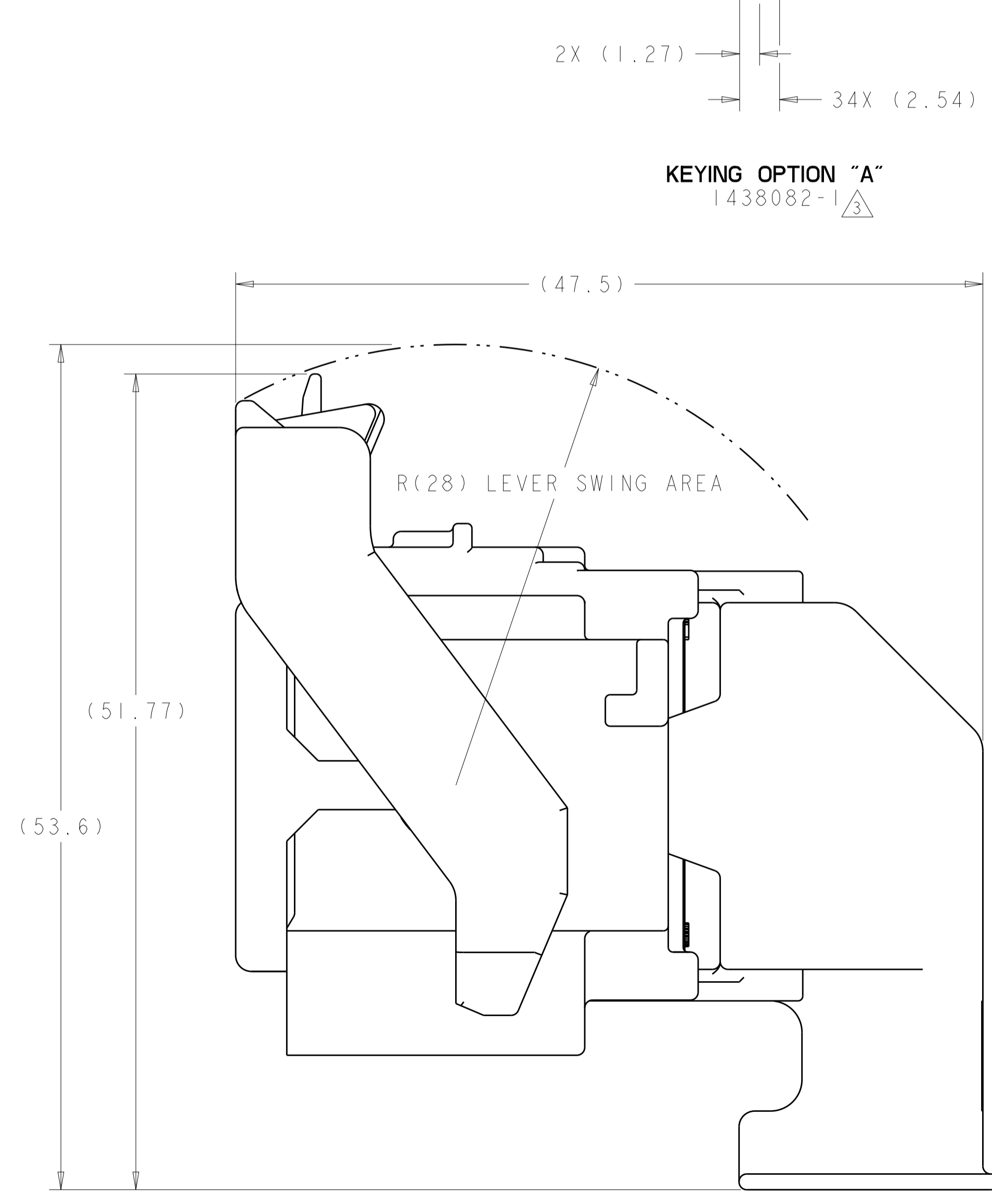


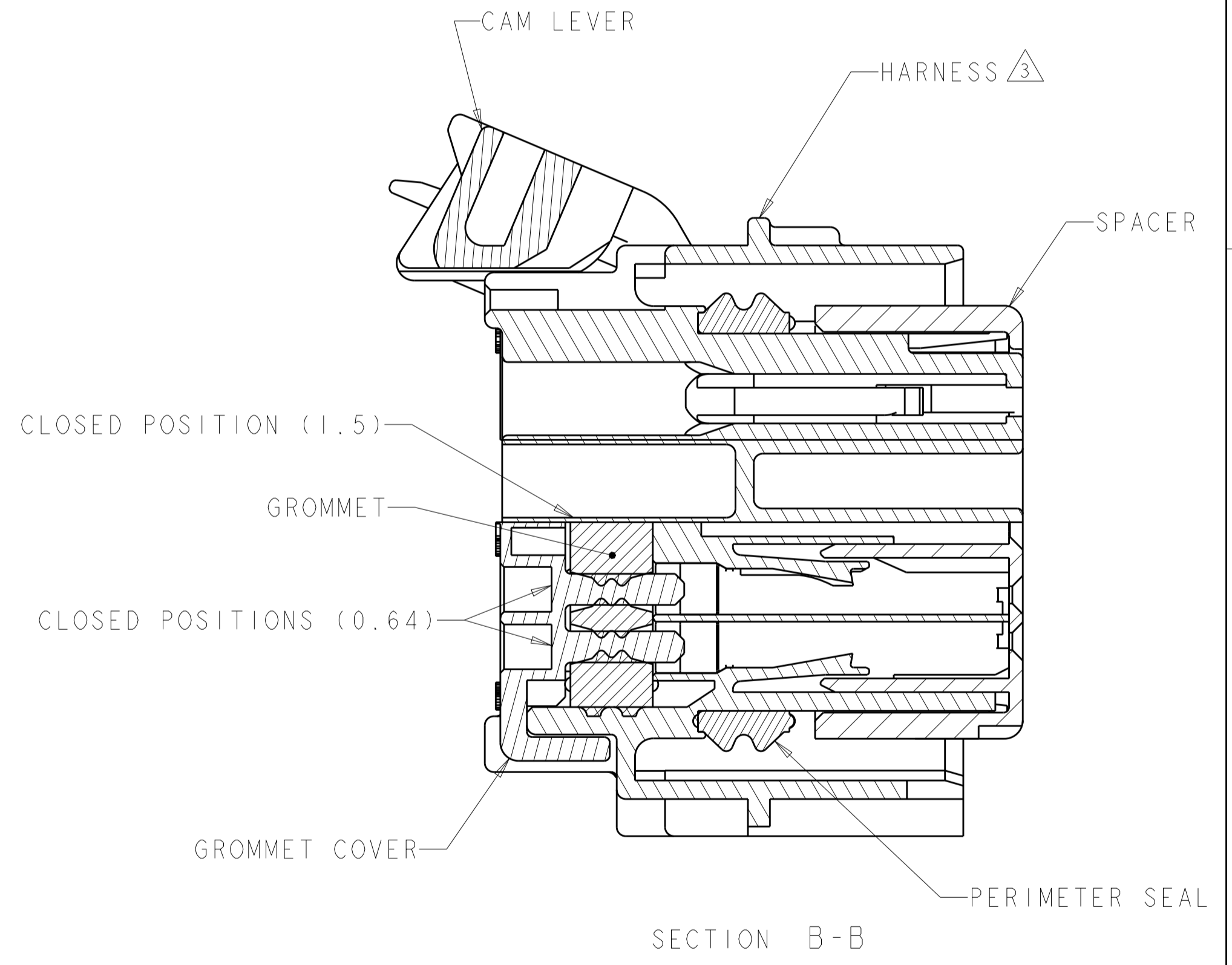
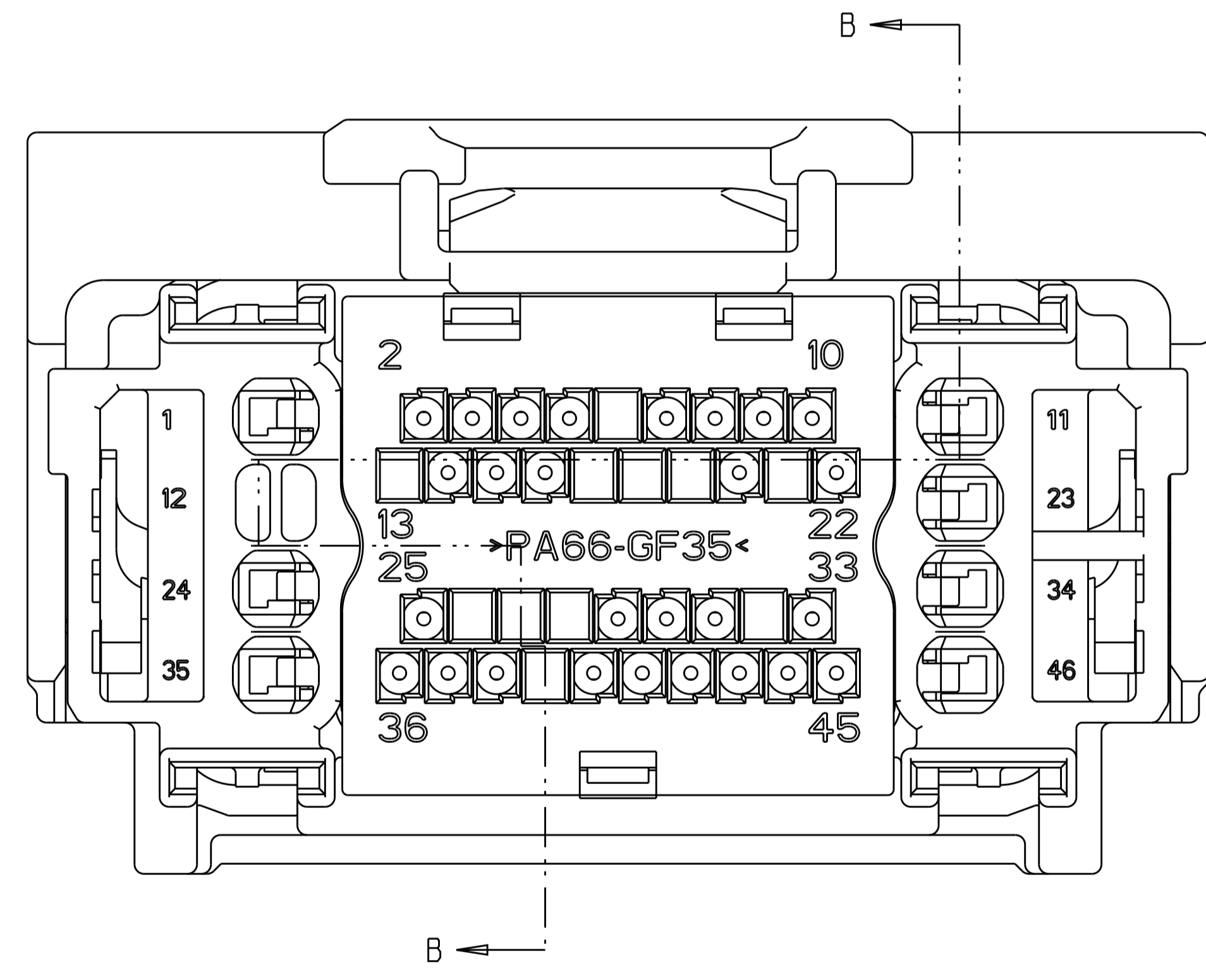
REVISIONS					
P.	LTM	DESCRIPTION	DATE	DWN	APVD
S10		REVISED PER ECO-09-009758	23APR2009	DLD	DCM
S11		REVISED PER ECO-09-028550	29DEC2009	DLD	DCM
S12		REVISED PER ECO-20-012739	18SEP2020	AP	CM



SCALE 1:1



SHOWN WITH CAM LEVER AND SPACER IN LOADED POSITION WITH OPTIONAL WIRESHIELD



- △ MATERIAL:
 HARNESS - 35% GLASS FILLED PA66, BLACK
 ALT MAT'L: HARNESS - 30% GLASS FILLED sPS, BLACK
 SPACER - 40% GLASS FILLED PPS+PA66, RED
 ALT MAT'L: 30% GLASS FILLED sPS, RED
 ALT MAT'L: 35% GLASS FILLED PA66, RED
 COVER - 35% GLASS FILLED PA66, BLACK
 ALT MAT'L: COVER - 30% GLASS FILLED LCP, BLACK
 CAM LEVER - 35% GLASS FILLED NYLON, GRAY
 GROMMET - SILICONE, BROWN
 PERIMETER SEAL - SILICONE, GREEN

- 2. CAM LEVER AND SPACER ARE SHIPPED IN PRE-LATCH POSITION.
- △ SEE PINOUT CHART ON SHEETS 2, 3 AND 4 FOR CLOSED CIRCUIT CONFIGURATIONS.
- △ CAVITIES WITH A NUMERIC SYMBOL INDICATES CLOSED TERMINAL LOCATIONS. BLANK CAVITIES INDICATE OPEN TERMINAL HOLE LOCATIONS.

THIS DRAWING IS A CONTROLLED DOCUMENT.		DWN: R. VESTAL 01AUG2003	
DIMENSIONS: mm		CHK: D. STRAUSSER 01AUG2003	
TOLERANCES UNLESS OTHERWISE SPECIFIED:		APVD: D. STRAUSSER 01AUG2003	NAME: 46 WAY PCM CONNECTOR HARNESS ASSEMBLY
0 PLC ±	1 PLC ±0.3	PRODUCT SPEC	SIZE: CAGE CODE: DRAWING NO: A100779C=1438082
2 PLC ±0.10	3 PLC ±	APPLICATION SPEC	RESTRICTED TO
4 PLC ±	ANGLES ±*	WEIGHT	SCALE: 4:1 SHEET 1 OF 5
MATERIAL: SEE TABLE	FINISH: SEE TABLE	CUSTOMER DRAWING	REV: 12

REVISIONS				
P	LTN	DESCRIPTION	DATE	OWN
-	-	SEE SHEET 1	-	-

TERMINAL HOLE POSITION		PART NUMBER		FORD PART NUMBER																							
45	43	39	37	36	35	31	24	18	17	16	14	13	12	9	7	6	2	1	9-1438082-7	2LIT-14A464-SD-051	OBSOLETE						
	42							20	18	15	14			11	10	8	7	4	3	2	1	9-1438082-6	2LIT-14A464-SD-050	OBSOLETE			
	42							20	18					11	10							1	9-1438082-5	2LIT-14A464-SD-049			
	42							20	18					11	10							2	1	9-1438082-4	2LIT-14A464-SD-048		
				35			27																		9-1438082-3	2LIT-14A464-SD-047	
45	43			36	35	32	31	24	21	19	18	17	16	14	12		7	6					1	9-1438082-1	2LIT-14A464-SD-046	OBSOLETE	
46							31																		9-1438082-0	2LIT-14A464-SD-045	OBSOLETE
							31	24					16												8-1438082-9	2LIT-14A464-SD-044	OBSOLETE
																									8-1438082-8	2LIT-14A464-SD-043	
45	44	43	42	40	38	37	36	33	31	29															8-1438082-7	2LIT-14A464-SD-042	
45	44	43	42	40	38	37	36	33	31	29															8-1438082-6	2LIT-14A464-SD-041	
46									31																8-1438082-5	2LIT-14A464-SD-040	OBSOLETE
	43	42		39	37																				8-1438082-4	2LIT-14A464-SD-039	OBSOLETE
	43								31	29															8-1438082-3	2LIT-14A464-SD-038	OBSOLETE
45	44	43	42	40	38	37	36	33	31	29															8-1438082-0	2LIT-14A464-SD-037	
45	43				36	35			31																7-1438082-9	2LIT-14A464-SD-036	OBSOLETE
45	43				36	35			31																7-1438082-8	2LIT-14A464-SD-035	OBSOLETE
	43	42		39	38	37			32		28														7-1438082-5	2LIT-14A464-SD-034	
45	44	43	42	40	38	37	36	33	31	29															7-1438082-4	2LIT-14A464-SD-033	OBSOLETE
45	44	43	42	40	38	37	36	33	31	29															7-1438082-3	2LIT-14A464-SD-032	
				40						29															6-1438082-6	2LIT-14A464-SD-031	
																									6-1438082-3	2LIT-14A464-SD-030	OBSOLETE
																									6-1438082-2	2LIT-14A464-SD-029	OBSOLETE
																									6-1438082-1	2LIT-14A464-SD-028	
								29	28		25														5-1438082-6	2LIT-14A464-SD-027	OBSOLETE
								29	28		25														5-1438082-5	2LIT-14A464-SD-026	
								30	29																5-1438082-2	2LIT-14A464-SD-025	
	43	42		39	37																				5-1438082-0	2LIT-14A464-SD-024	
	42																								4-1438082-9	2LIT-14A464-SD-023	OBSOLETE
	43	42		39	37																				4-1438082-8	2LIT-14A464-SD-022	OBSOLETE
	42																								4-1438082-7	2LIT-14A464-SD-021	
	43	42		39	37																				4-1438082-2	2LIT-14A464-SD-020	
45	43				36	35			31																4-1438082-0	2LIT-14A464-SD-019	
	43	42		39	37																				3-1438082-8	2LIT-14A464-SD-018	
	42																								3-1438082-7	2LIT-14A464-SD-017	
	43	42		39	37																				3-1438082-6	2LIT-14A464-SD-016	
	42																								3-1438082-5	2LIT-14A464-SD-015	
45	43			39	37	36	35		31																3-1438082-4	2LIT-14A464-SD-014	OBSOLETE
45	43			39	37	36	35	33	31		25	24	21	19	18	17	16	14	13	12					3-1438082-3	2LIT-14A464-SD-013	
45	43				36	35			31																3-1438082-2	2LIT-14A464-SD-012	
	42																								3-1438082-1	2LIT-14A464-SD-011	
	43	42		39	37																				3-1438082-0	2LIT-14A464-SD-010	
	42																								2-1438082-9	2LIT-14A464-SD-009	
	43	42		39	37																				2-1438082-5	2LIT-14A464-SD-008	
45				39	37	36	35	33			25	24	21	19	18	17	16	14	13	12					2-1438082-3	2LIT-14A464-SD-007	
45				39	37	36	35					24	21	19	18	17	16	14	13	12					2-1438082-2	2LIT-14A464-SD-006	
45					36	35		33			25	24	21	19	18	17	16	14	12						1-1438082-9	2LIT-14A464-SD-005	
45					36	35						24	21	19	18	17	16	14	12						1-1438082-8	2LIT-14A464-SD-004	
45					35							24	21	19	18	17	16	14	12						1-1438082-1	2LIT-14A464-SD-003	
								29	28				21												1438082-6	2LIT-14A464-SD-002	
					35							24	21	19	18	17									1438082-5	2LIT-14A464-SD-001	OBSOLETE
																									1438082-1	2LIT-14A464-SD-000	

PIN-OUT CHART KEYING OPTION "A"

THIS DRAWING IS A CONTROLLED DOCUMENT.		DWN R. VESTAL 01AUG2003 CHK D. STRAUSSER 01AUG2003 APVD D. STRAUSSER 01AUG2003	TE Connectivity NAME 46 WAY PCM CONNECTOR HARNESS ASSEMBLY
DIMENSIONS: mm	TOLERANCES UNLESS OTHERWISE SPECIFIED: 0 PLC ±. 1 PLC ±0.3 2 PLC ±0.10 3 PLC ±. 4 PLC ±. ANGLES ±°	PRODUCT SPEC APPLICATION SPEC	
MATERIAL SEE TABLE	FINISH SEE TABLE	WEIGHT	SIZE CAGE CODE DRAWING NO. RESTRICTED TO A100779C=1438082 CUSTOMER DRAWING SCALE 4:1 SHEET 2 OF 5 REV 12

单击下面可查看定价，库存，交付和生命周期等信息

[>>TE Connectivity\(泰科\)](#)