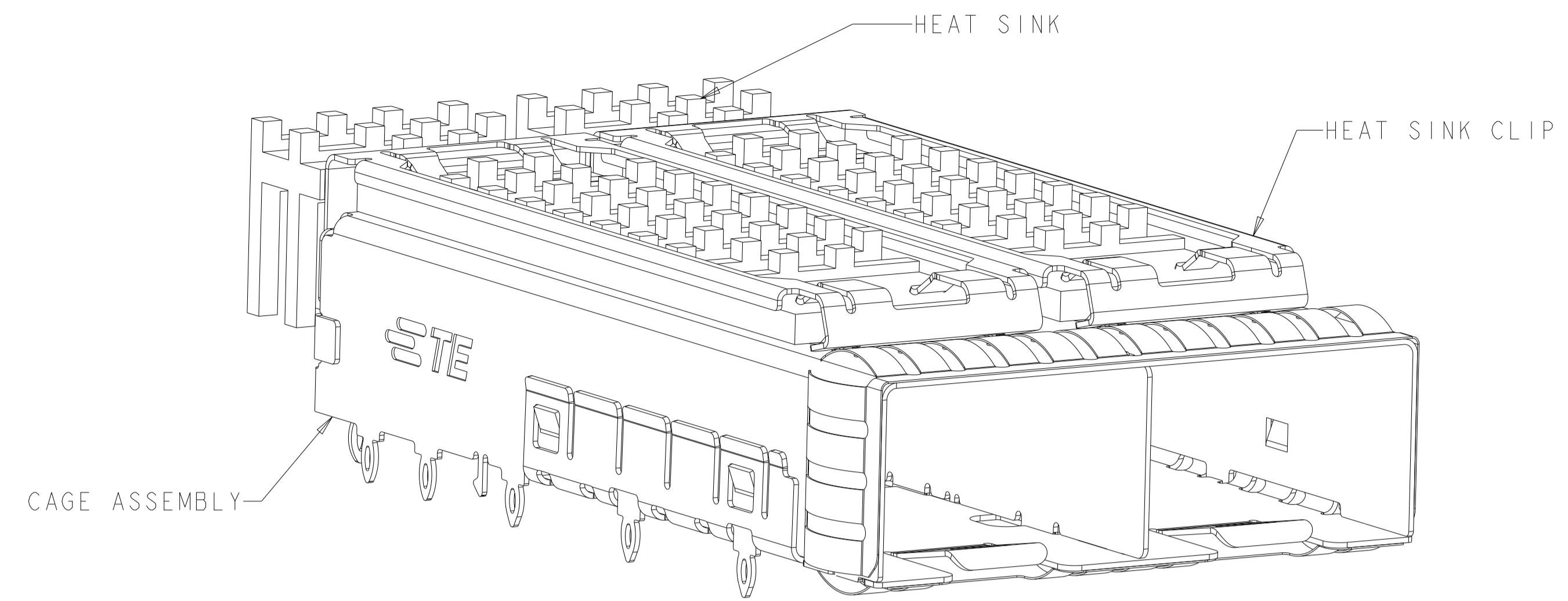
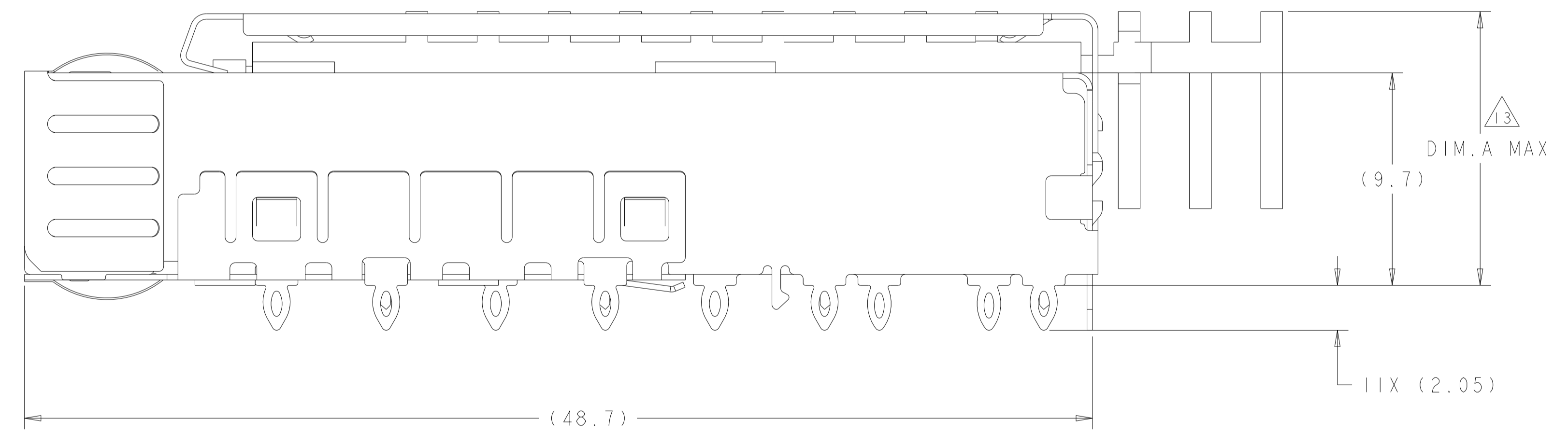
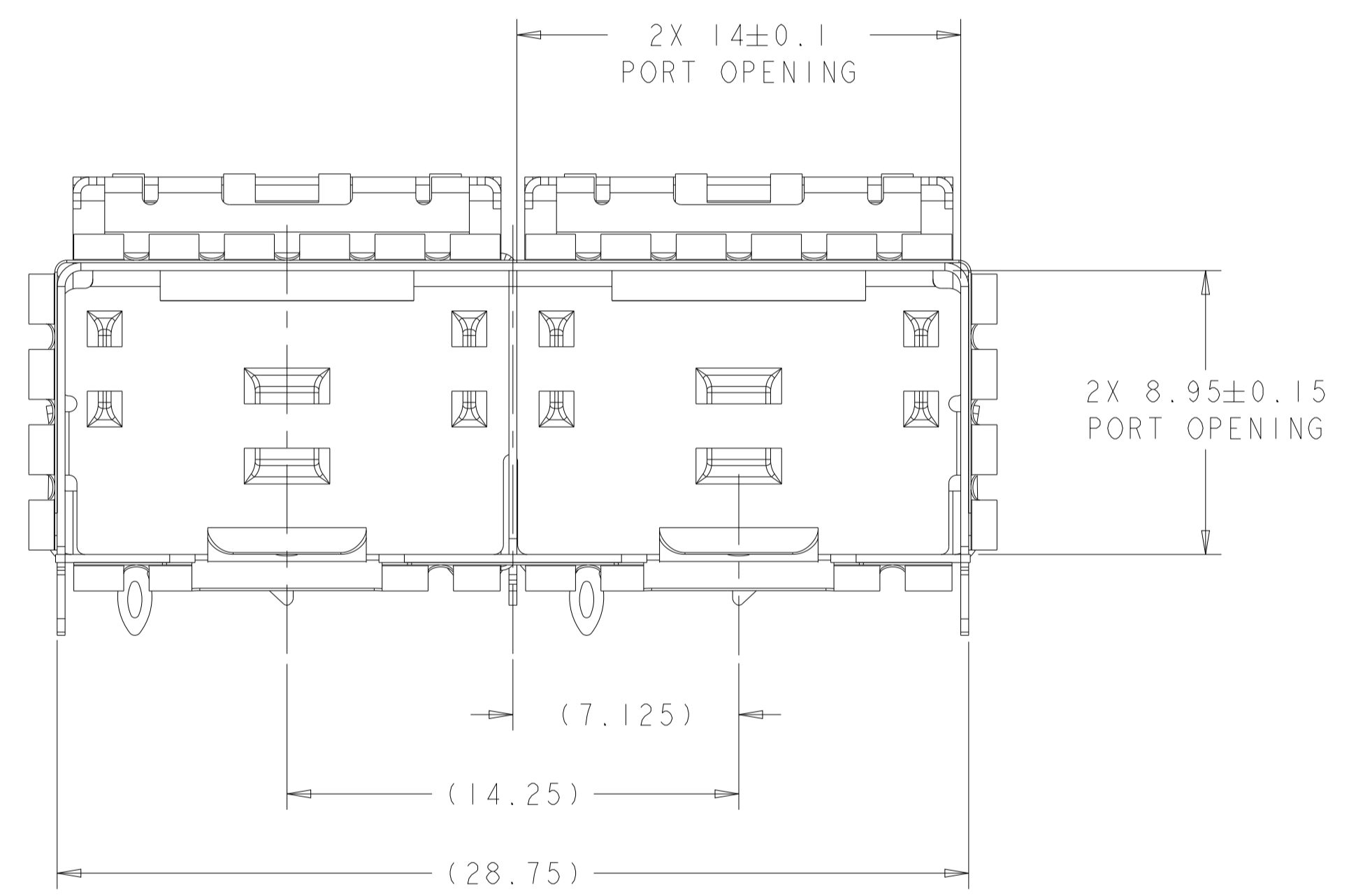


LOC	DIST	REV	DESCRIPTION	DATE	OWN	APVD
GP	00					
A3			ADD PART # -5	27MAY2019	IT	SH
A4			ADD PN 2170190-6	09JAN2020	IT	SH
A5			ADD NEW DASH NUMBER 1--1	07JUN2021	SZ	SZ
A6			CHANGE HS PIN NUMBER OF '1--1 PER REQ'	24JUN2021	SZ	SZ

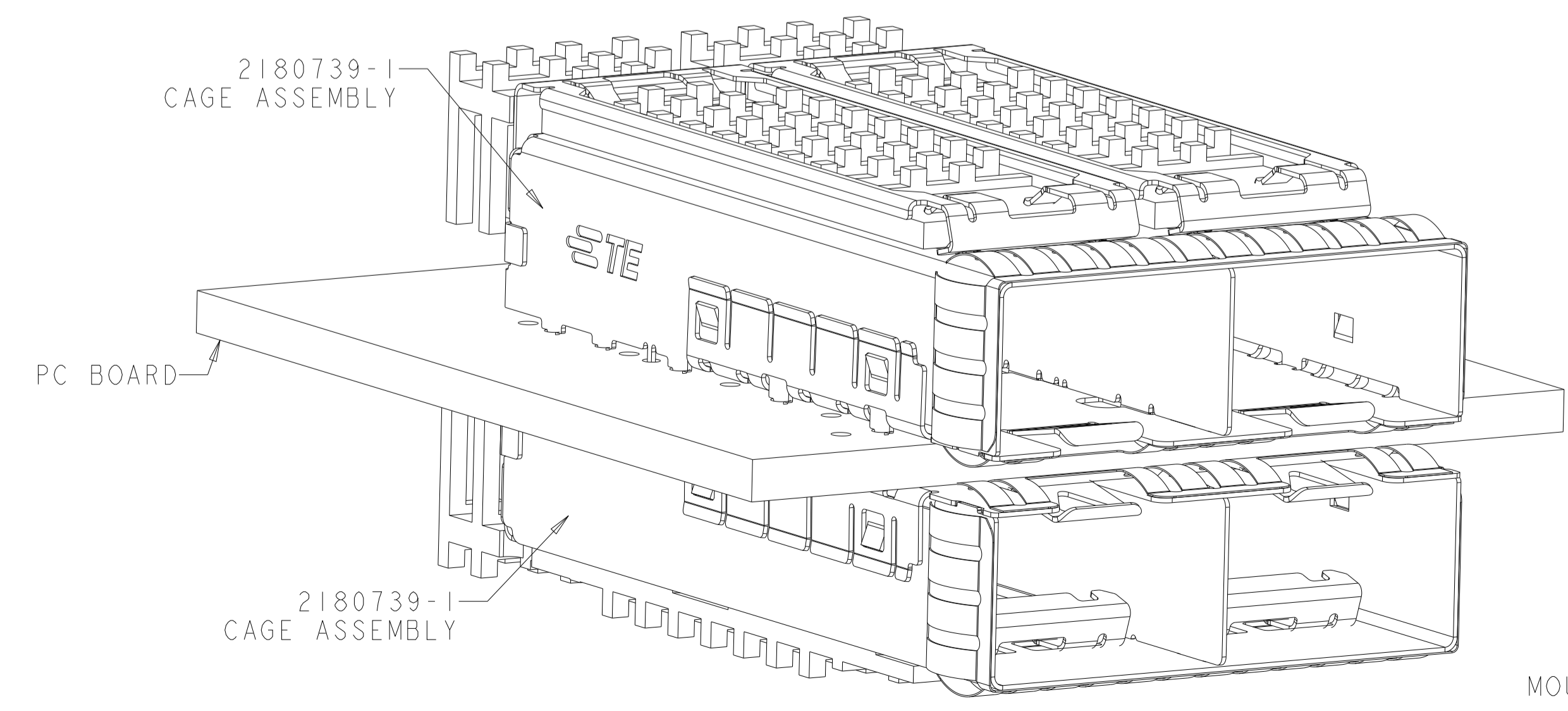


2170190-1
SCALE 5:1



- 1. MATERIAL:
 CAGE ASSEMBLY: 0.25mm THICK NICKEL SILVER ALLOY
 EMI SPRINGS: COPPER ALLOY
 HEAT SINK: ALUMINUM
 HEAT SINK CLIP: STAINLESS STEEL.
 INSULATOR: KAPTON
- 2. FINISH:
 2170190-1/-2/-4 HEAT SINK: HARD ANODIC COATING
 2170190-3 HEAT SINK: BLACK ANODIZE
 2170190-5/-6 HEAT SINK: GRAY ANODIZE
 HEAT SINK CLIP: PASSIVATE.
- 3. DATUM AND BASIC DIMENSIONS ESTABLISHED BY CUSTOMER.
- 4. PADS AND VIAS CHASSIS GROUND.
- 5. MATES WITH SFP MSA COMPLIANT RECIEVERS.
- 6. INTERPRETATION OF DATUM REFERENCE FRAME IN ACCORDANCE WITH SECT 4.4.1.1 OR ASME Y14.5M-1994.
- 7. MINIMUM PC BOARD THICKNESS:
 SINGLE SIDED: 1.5mm
 DOUBLE SIDED: 2.25
- 8. HOLE PATTERN REPEATS FOR EACH PORT, SPACING BETWEEN PORTS IS 14.25mm.
- 9. REFERENCE APPLICATION SPEC. 114-13120, HOLE A, FOR RECOMMENDED DRILL HOLE DIAMETER AND PLATING THICKNESS.
- 10. REFERENCE APPLICATION SPEC. 114-13120, HOLE B, FOR RECOMMENDED DRILL HOLE DIAMETER AND PLATING THICKNESS.
- 11. CERTAIN MATING TRANCEIVERS MAY REQUIRE ADDITIONAL PCB THICKNESS THAT WOULD NEED TO BE DETERMINED BY THE CUSTOMER.

- 12. PRODUCT COMPLIES WITH SPECIFICATION SFF-8433 IMPROVED PLUGGABLE FORM FACTOR FOR SFP+ GANGED CAGES.
- 13. DIMENSION APPLIES PRIOR TO INSERTION OF SFP MODULE.
- 14. PRELIMINARY PART, NO RELEASED TO MASS PRODUCTION



2170190-1
MOUNTED BELLY TO BELLY
SCALE 4:1

PIN TYPE	HEAT SINK W/O THE FRIST ROW PIN	1-2170190-1
PIN TYPE	HEAT SINK W/ THE FRIST ROW PIN	2170190-6
PIN TYPE	HEAT SINK W/ THE FRIST ROW PIN	2170190-5
PIN TYPE	HEAT SINK W/ THE FRIST ROW PIN	2170190-4
FIN TYPE	HEAT SINK W/ THE FRIST ROW PIN	2170190-3
PIN TYPE	HEAT SINK W/ THE FIRST ROW PIN	2170190-2
PIN TYPE	HEAT SINK W/O THE FIRST ROW PIN	2170190-1
HEAT SINK	DESCRIPTION	PART NUMBER

THIS DRAWING IS A CONTROLLED DOCUMENT. OWN: TIM XUE 21NOV2011
 CHK: ALEX CAI 21NOV2011
 APVD: ALEX CAI 21NOV2011

STE TE Connectivity

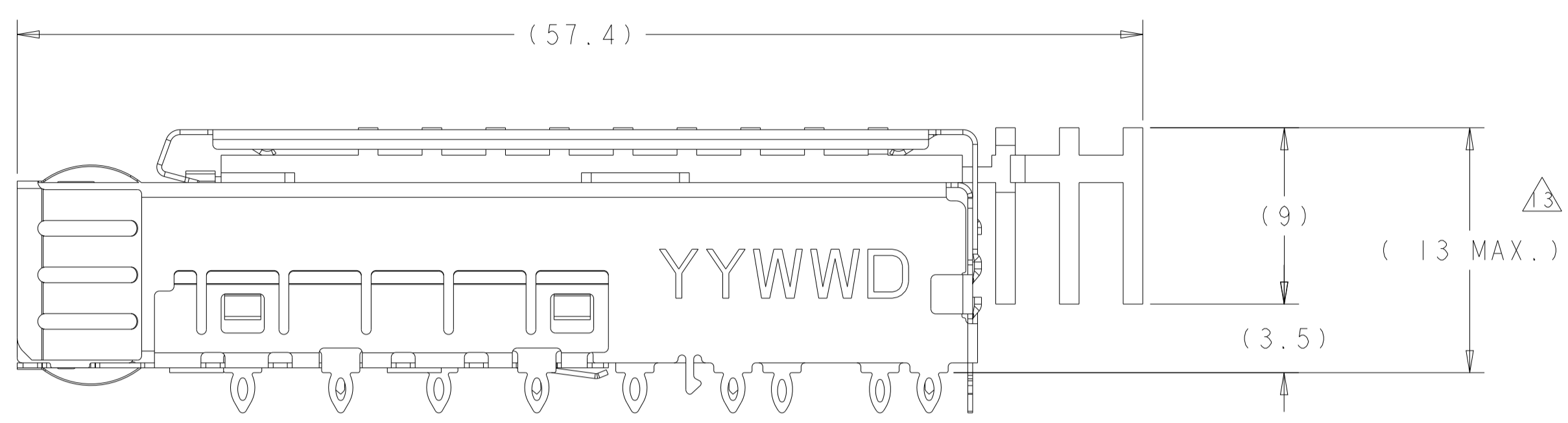
NAME: SFP+ ENHANCED 1X2 CAGE ASSEMBLY, PRESS-FIT, EMI SPRINGS, HEAT SINK
 PRODUCT SPEC: 108-2364
 APPLICATION SPEC: 114-13120

SIZE: CAGE CODE DRAWING NO: A100779C=2170190
 RESTRICTED TO: -

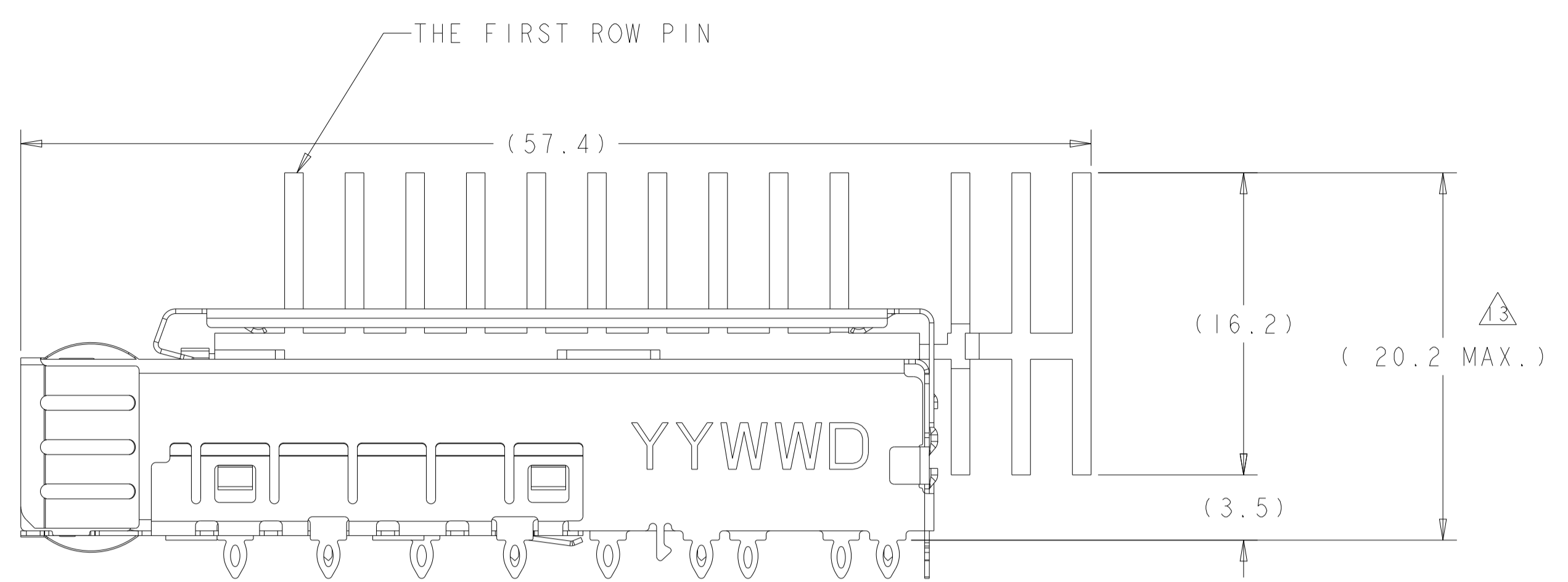
MATERIAL: FINISH:

CUSTOMER DRAWING SCALE: 6:1 SHEET 1 OF 6 REV: A6

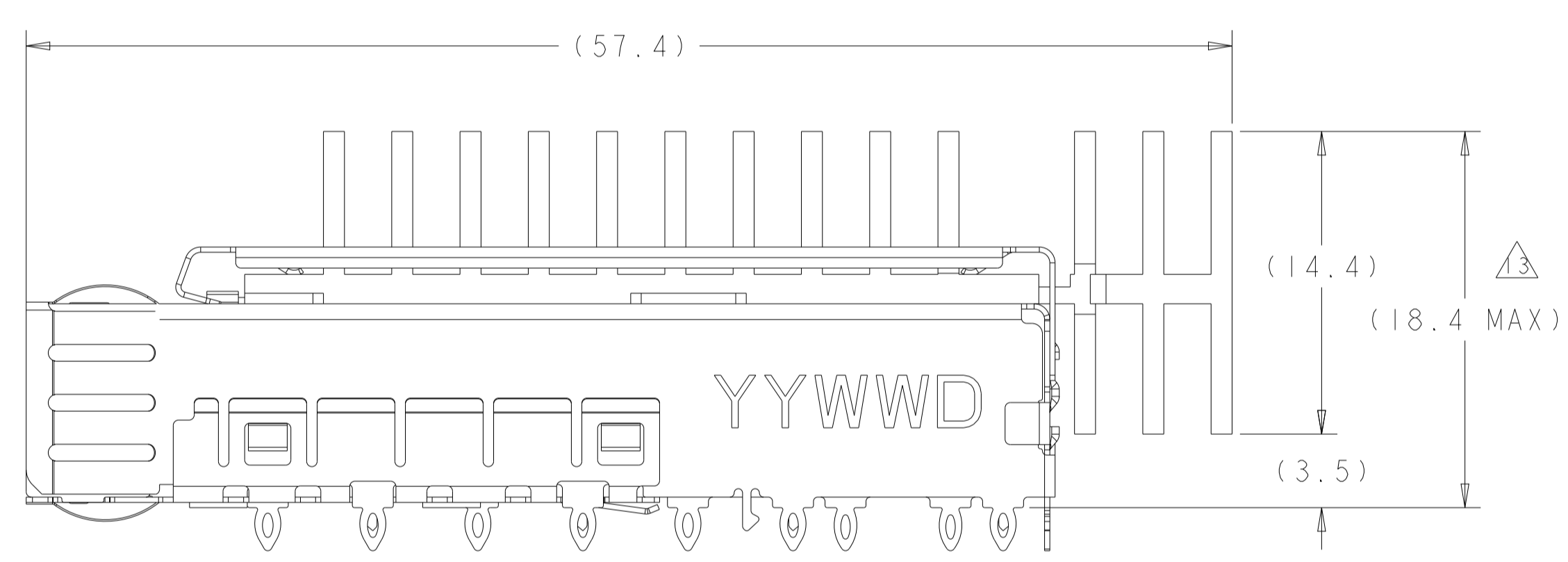
LOC		DIST		REVISIONS			
GP	00	P	LTN	DESCRIPTION	DATE	OWN	APVD
-	-	-	-	SEE SHEET 1	-	-	-



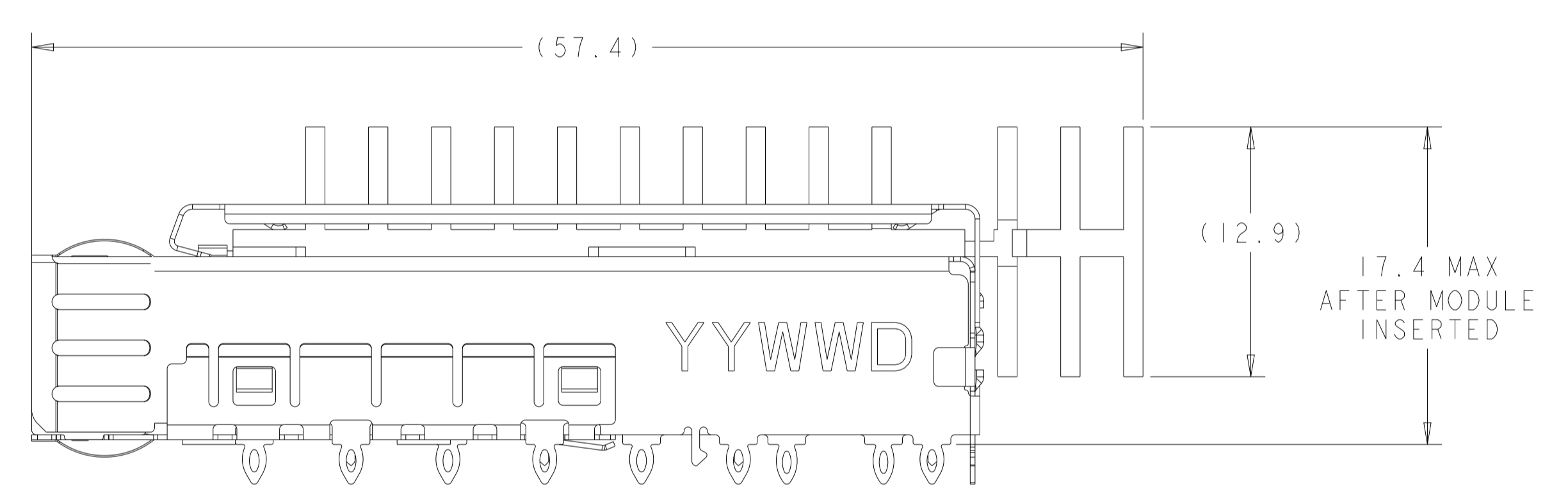
2170190-1 AS SHOWN
HEAT SINK W/O THE FIRST ROW PIN



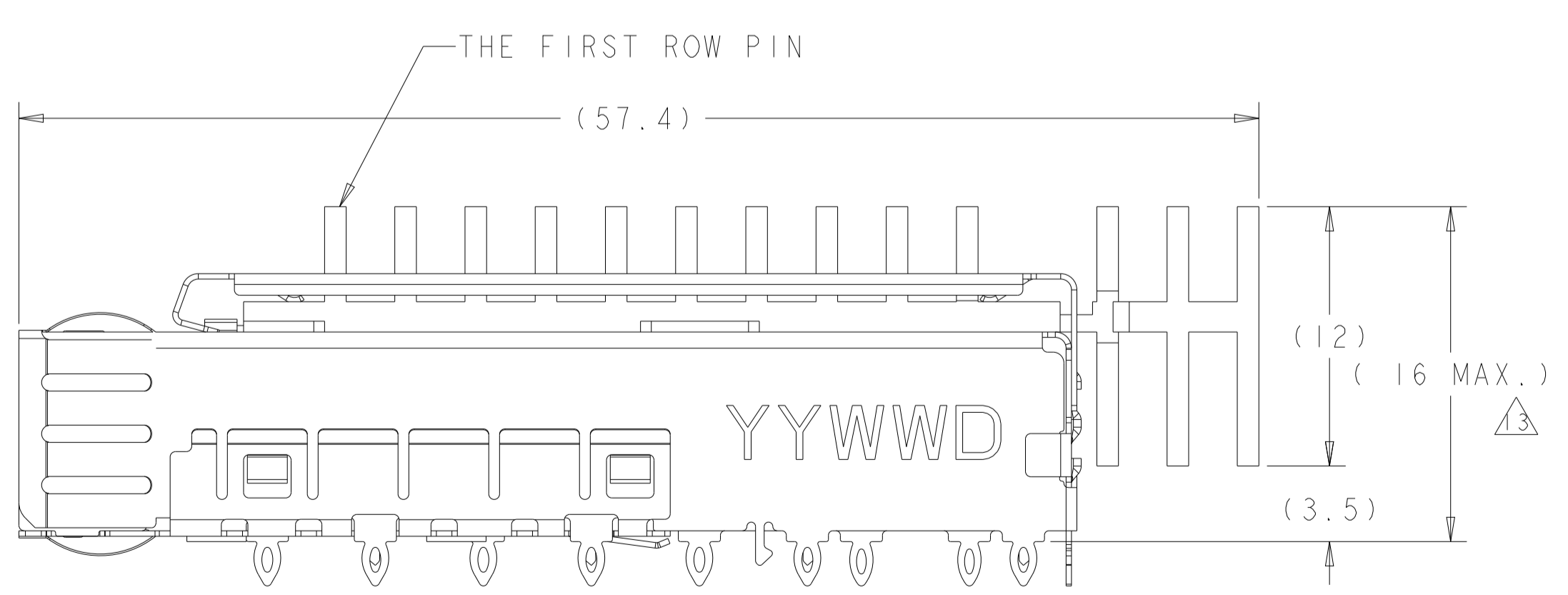
2170190-2 AS SHOWN



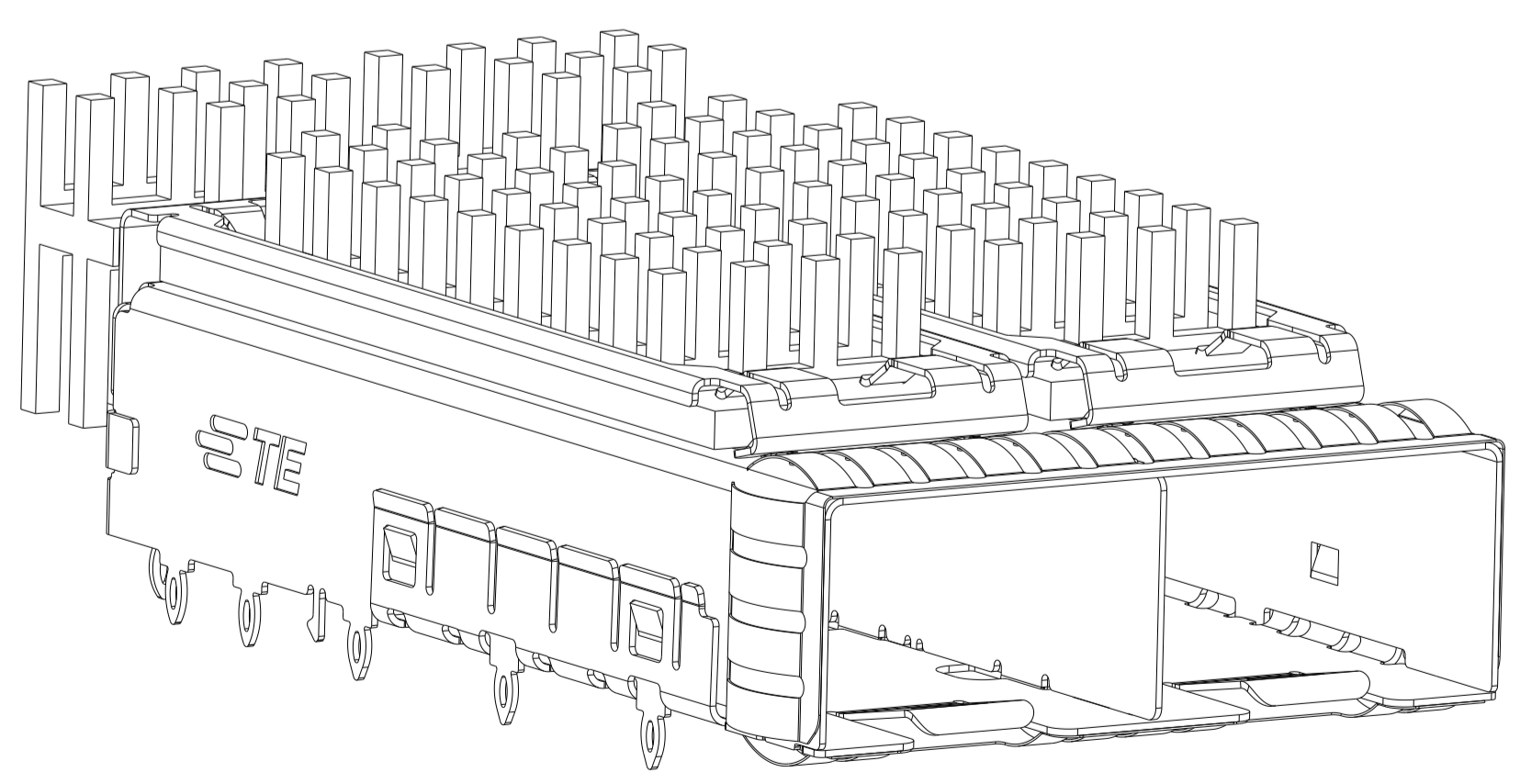
2170190-5 AS SHOWN
SCALE 4:1



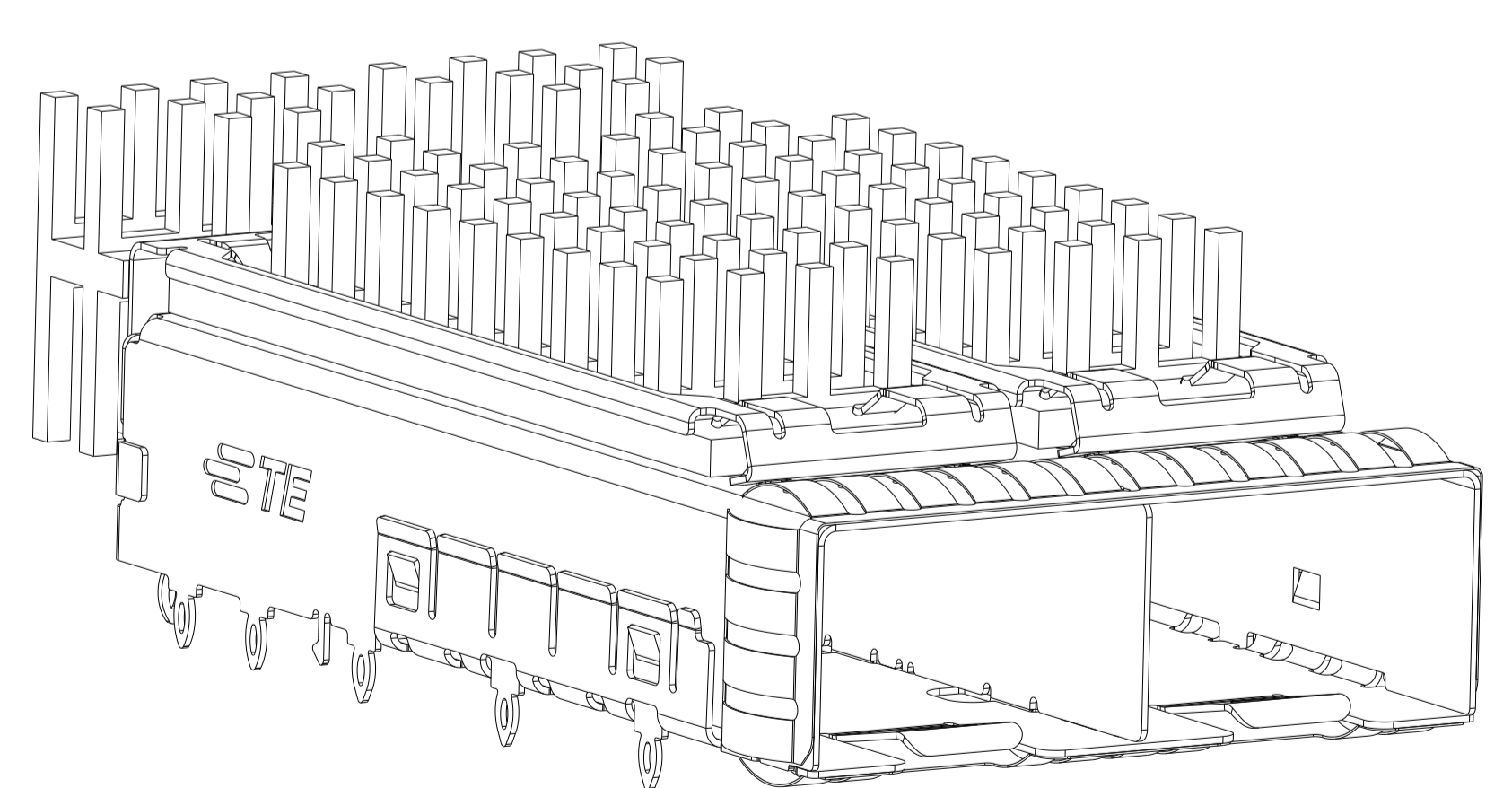
2170190-6 AS SHOWN
SCALE 4:1



1-2170190-1 AS SHOWN
SCALE 4:1



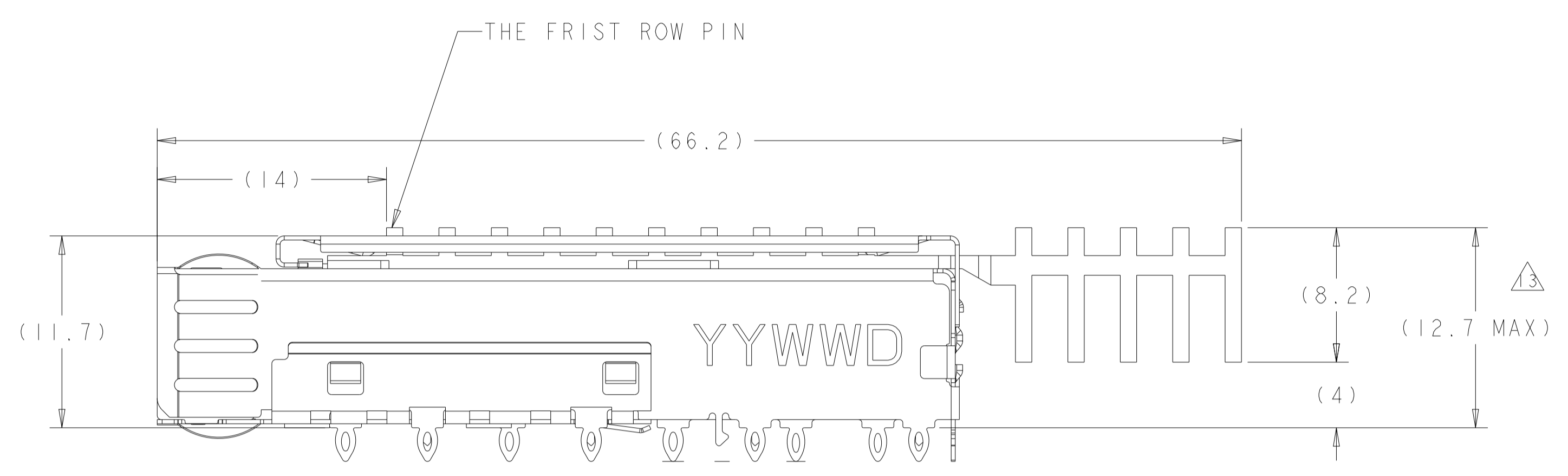
1-2170190-1 AS SHOWN



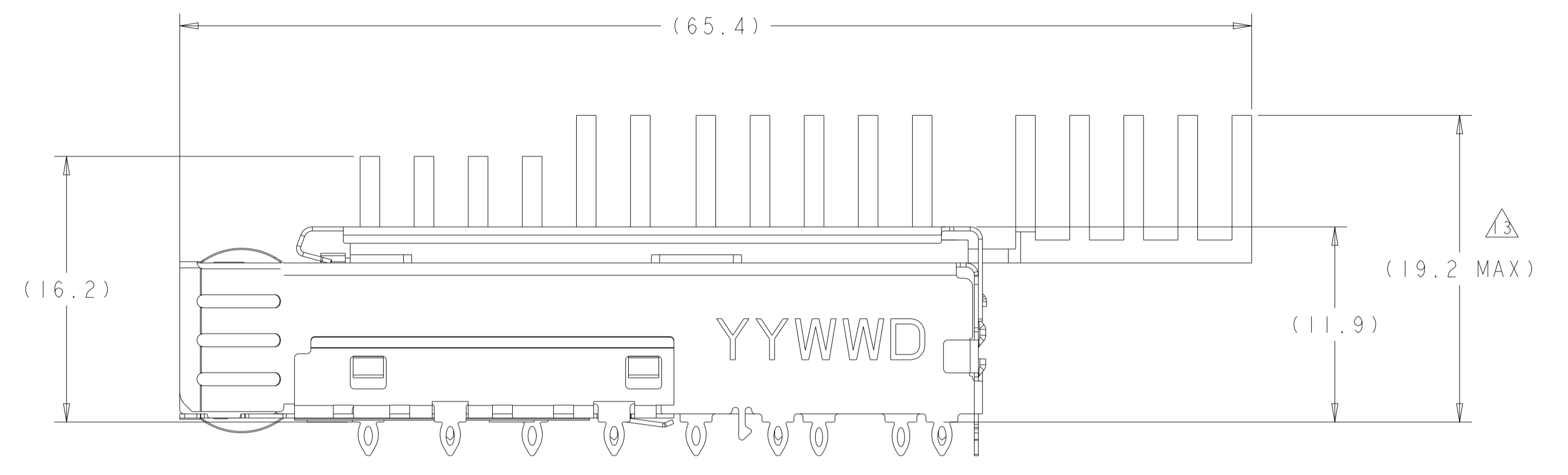
2170190-2, 5, 6 WITH PIN TYPE HEATSINK
SCALE 4:1

THIS DRAWING IS A CONTROLLED DOCUMENT.		OWN	TIM XUE	21NOV2011	TE Connectivity NAME SFP+ ENHANCED 1X2 CAGE ASSEMBLY, PRESS-FIT, EMI SPRINGS, HEAT SINK
DIMENSIONS:		CHK	ALEX CAI	21NOV2011	
TOLERANCES UNLESS OTHERWISE SPECIFIED:		APVD	ALEX CAI	21NOV2011	
mm		PRODUCT SPEC	108-2364	APPLICATION SPEC	
0 PLC ±0.13		SIZE	114-13120	RESTRICTED TO	
1 PLC ±0.1		WEIGHT	-		
2 PLC ±0.08		CUSTOMER DRAWING	SCALE	6:1	
3 PLC ±0.05			SHEET	2 OF 6	
4 PLC ±0.05			REV	A6	
ANGLES ±0.5					
FINISH					

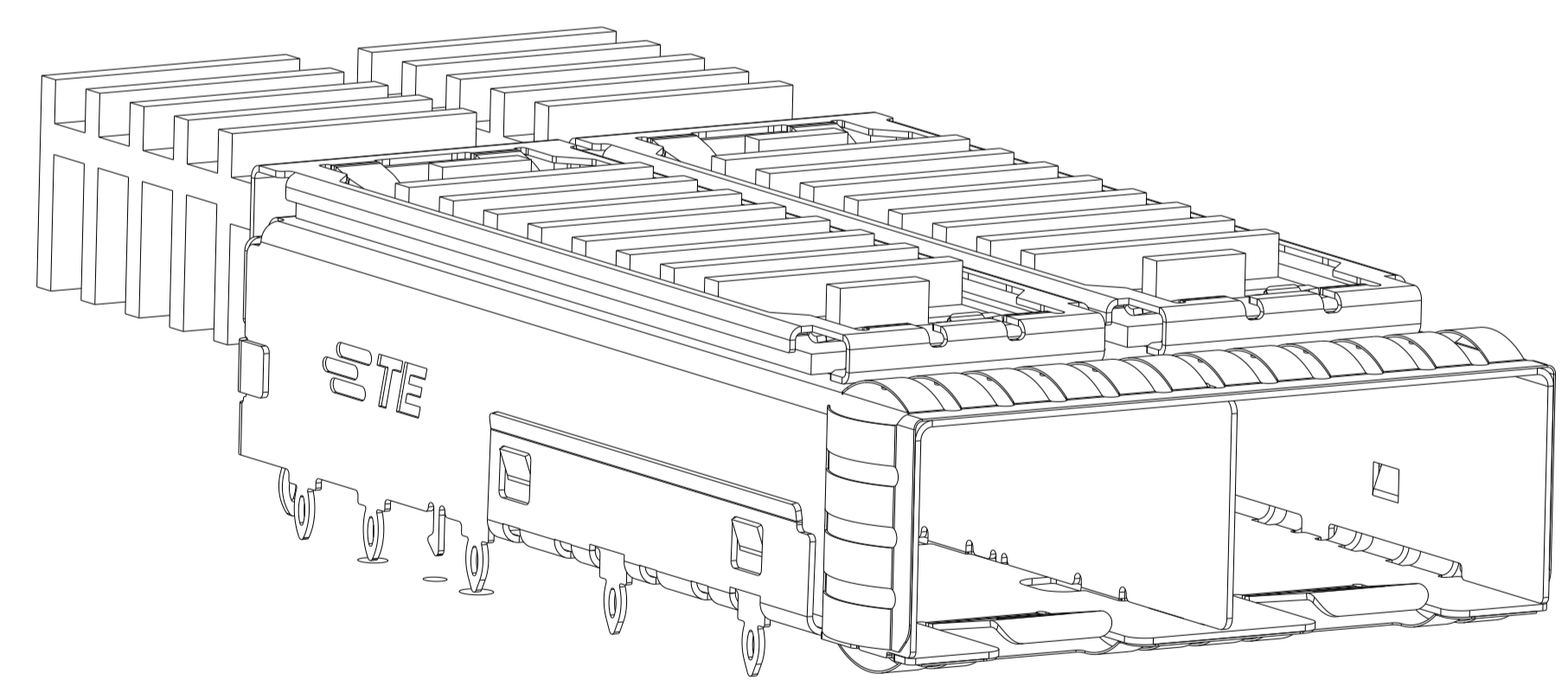
LOC		DIST		REVISIONS			
GP	00	P	LYR	DESCRIPTION	DATE	OWN	APVD
-	-	-	-	SEE SHEET 1	-	-	-



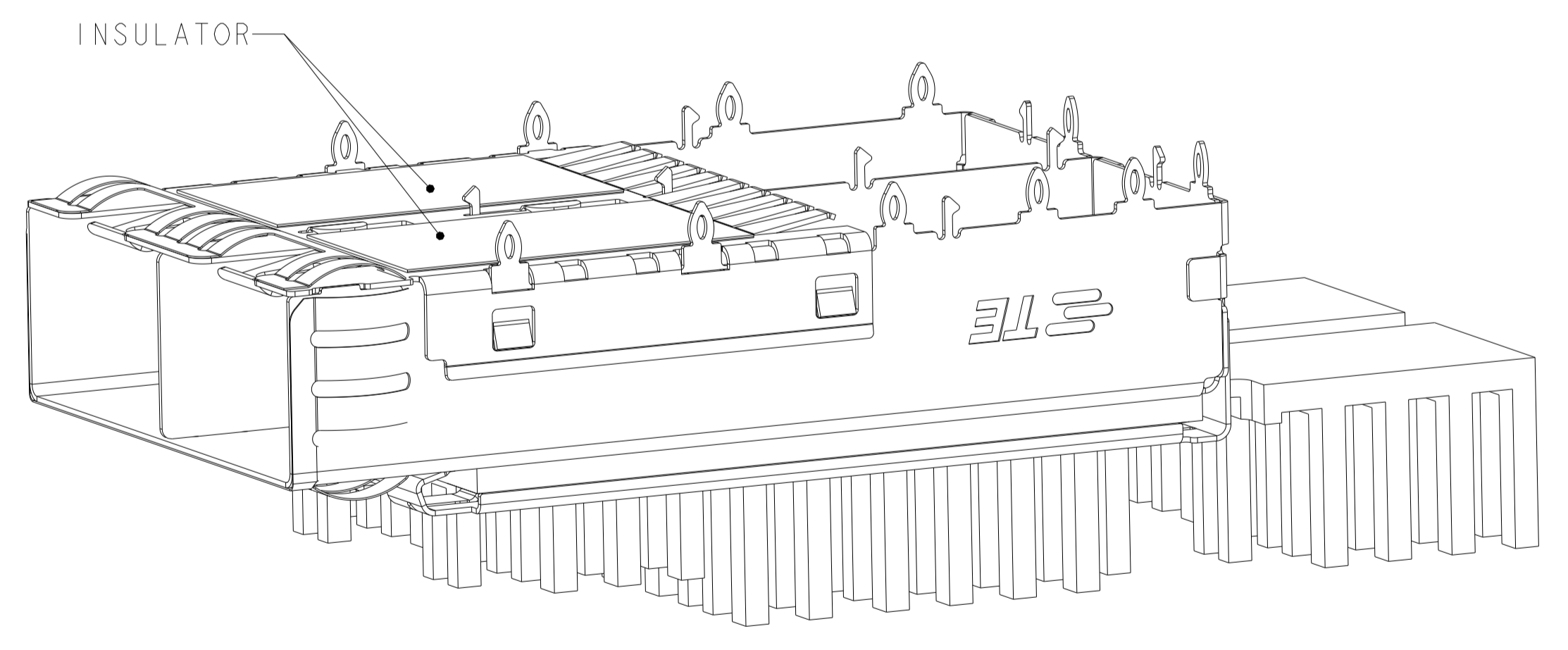
2170190-3 AS SHOWN



2170190-4 AS SHOWN
SCALE 4:1



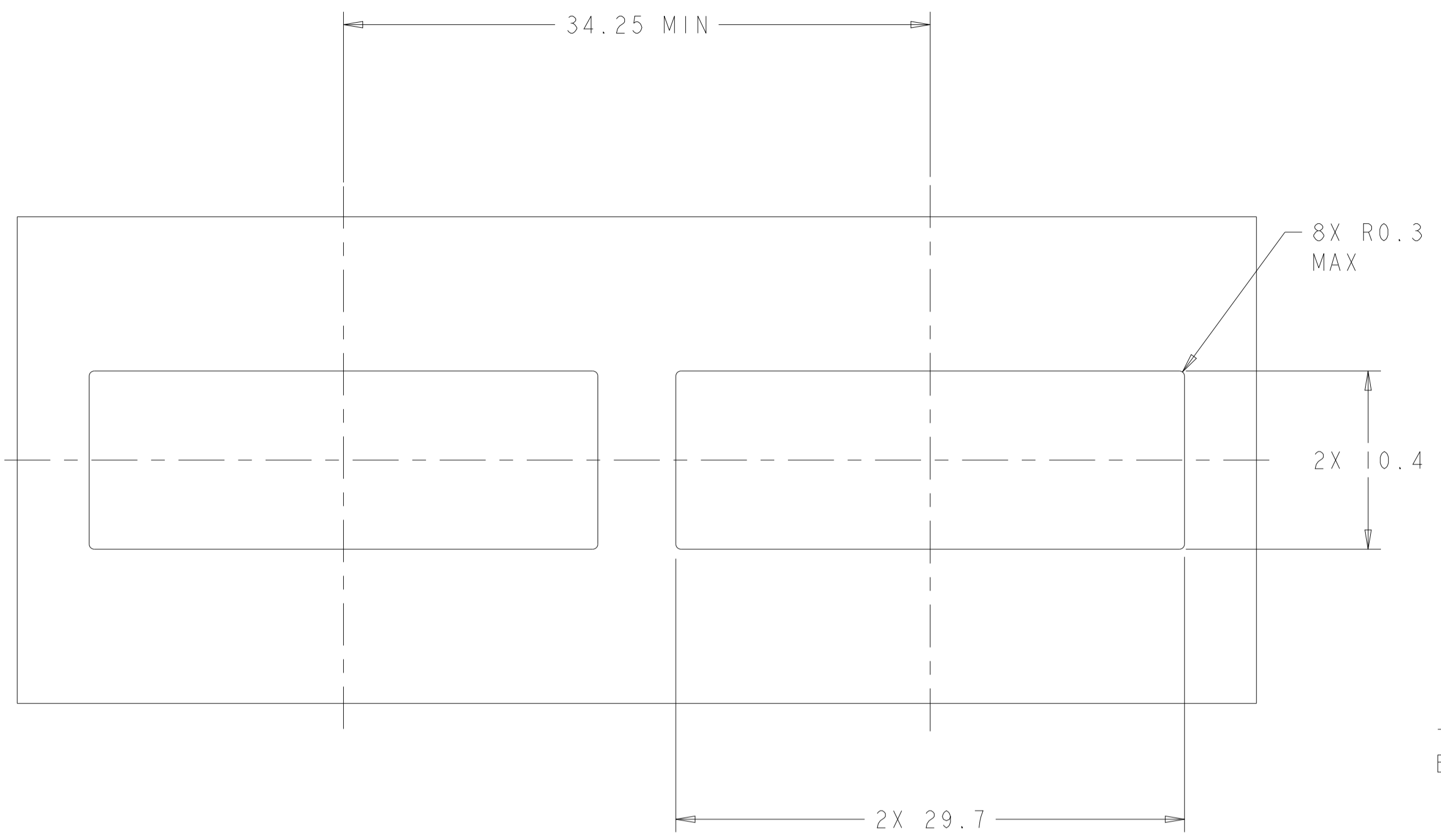
2170190-3 FIN TYPE HEATSINK
3D VIEW



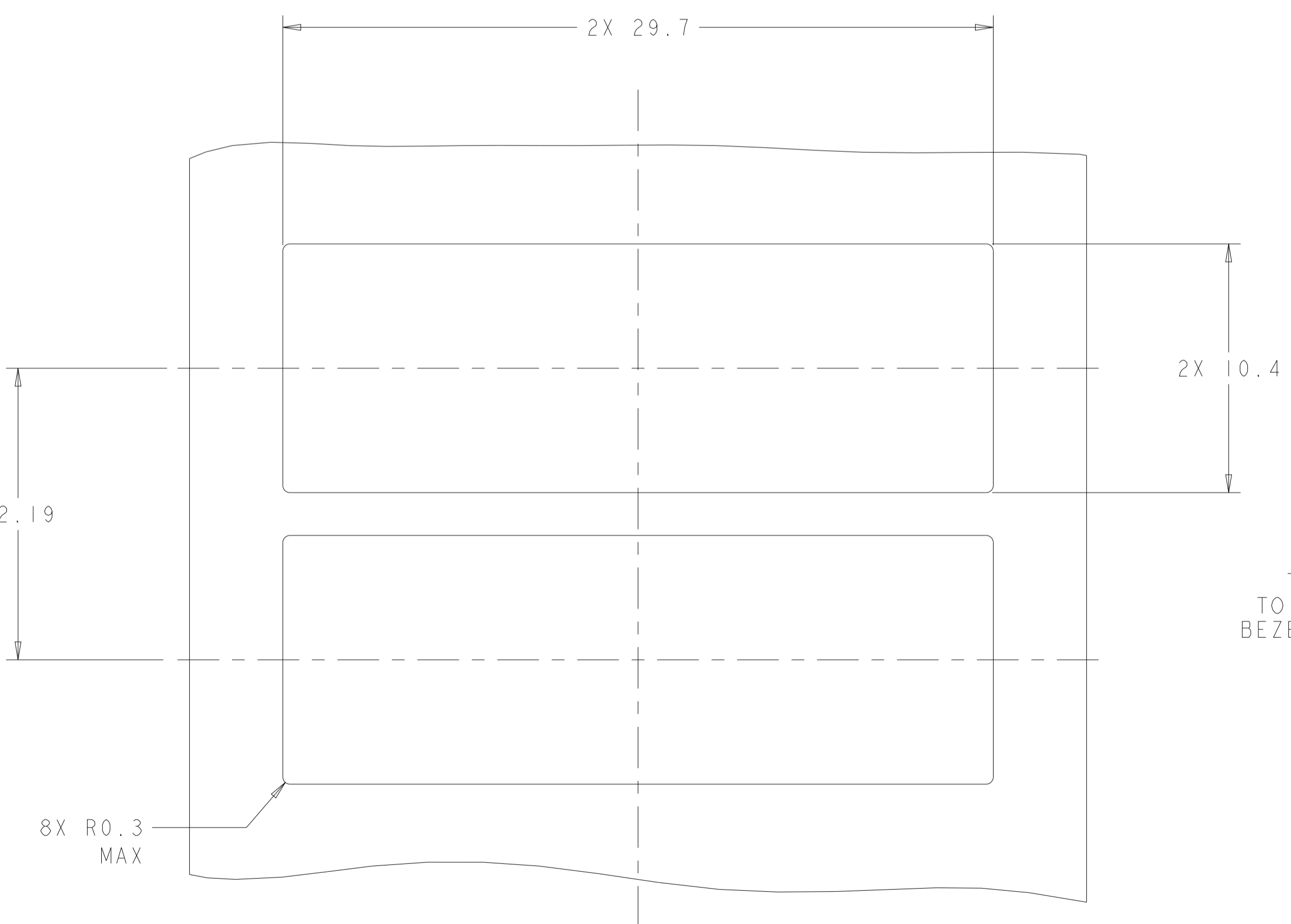
2170190-4 WITH PIN TYPE HEATSINK AND INSULATOR
3D VIEW

THIS DRAWING IS A CONTROLLED DOCUMENT.		OWN	TIM XUE	21NOV2011	TE Connectivity NAME SFP+ ENHANCED 1X2 CAGE ASSEMBLY, PRESS-FIT, EMI SPRINGS, HEAT SINK
DIMENSIONS:		CHK	ALEX CAI	21NOV2011	
mm		APVD	ALEX CAI	21NOV2011	
0 PLC ±0.13 1 PLC ±0.1 2 PLC ±0.08 3 PLC ±0.05 4 PLC ±0.05 ANGLES ±1 FINISH		PRODUCT SPEC	108-2364	APPLICATION SPEC	
MATERIAL		SIZE	114-13120	WEIGHT	RESTRICTED TO
		CAGE CODE	A100779	DRAWING NO	C=2170190
		CUSTOMER DRAWING	SCALE	6:1	SHEET 3 OF 6
					REV A6

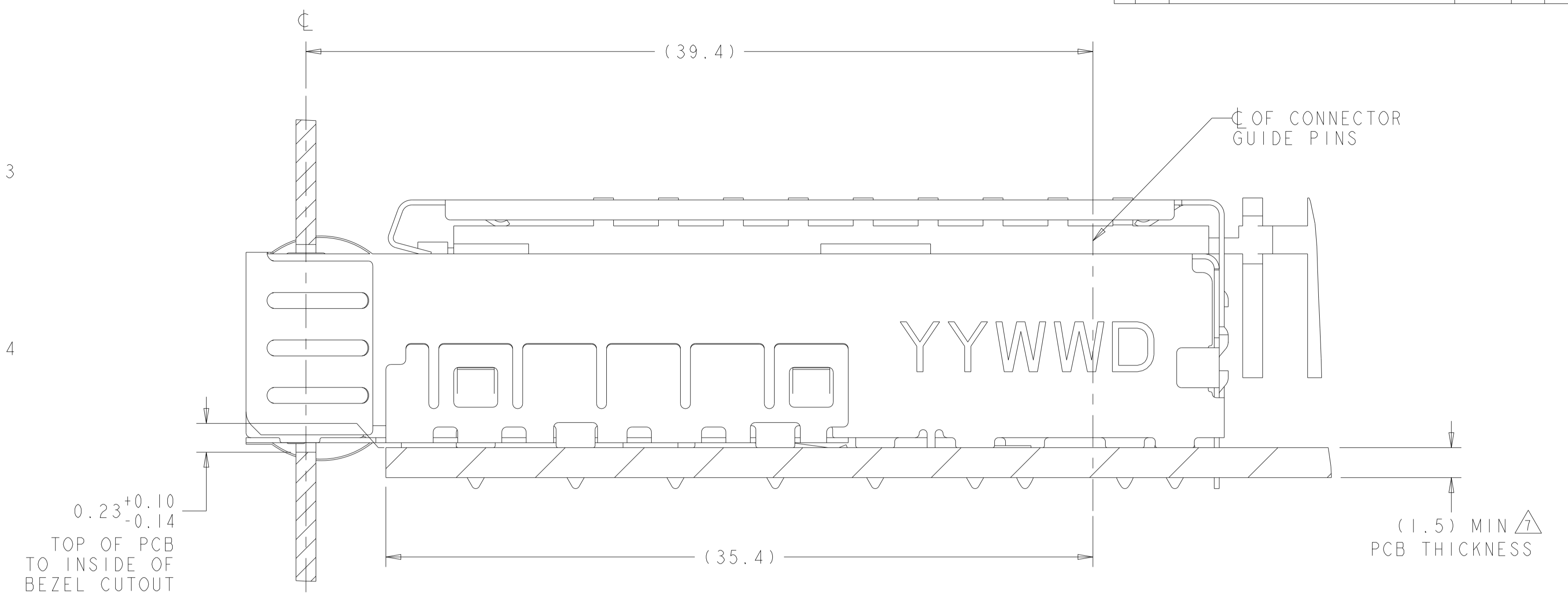
LOC		DIST		REVISIONS			
GP	00	P	LTN	DESCRIPTION	DATE	DMN	APVD
		-		SEE SHEET 1	-	-	-



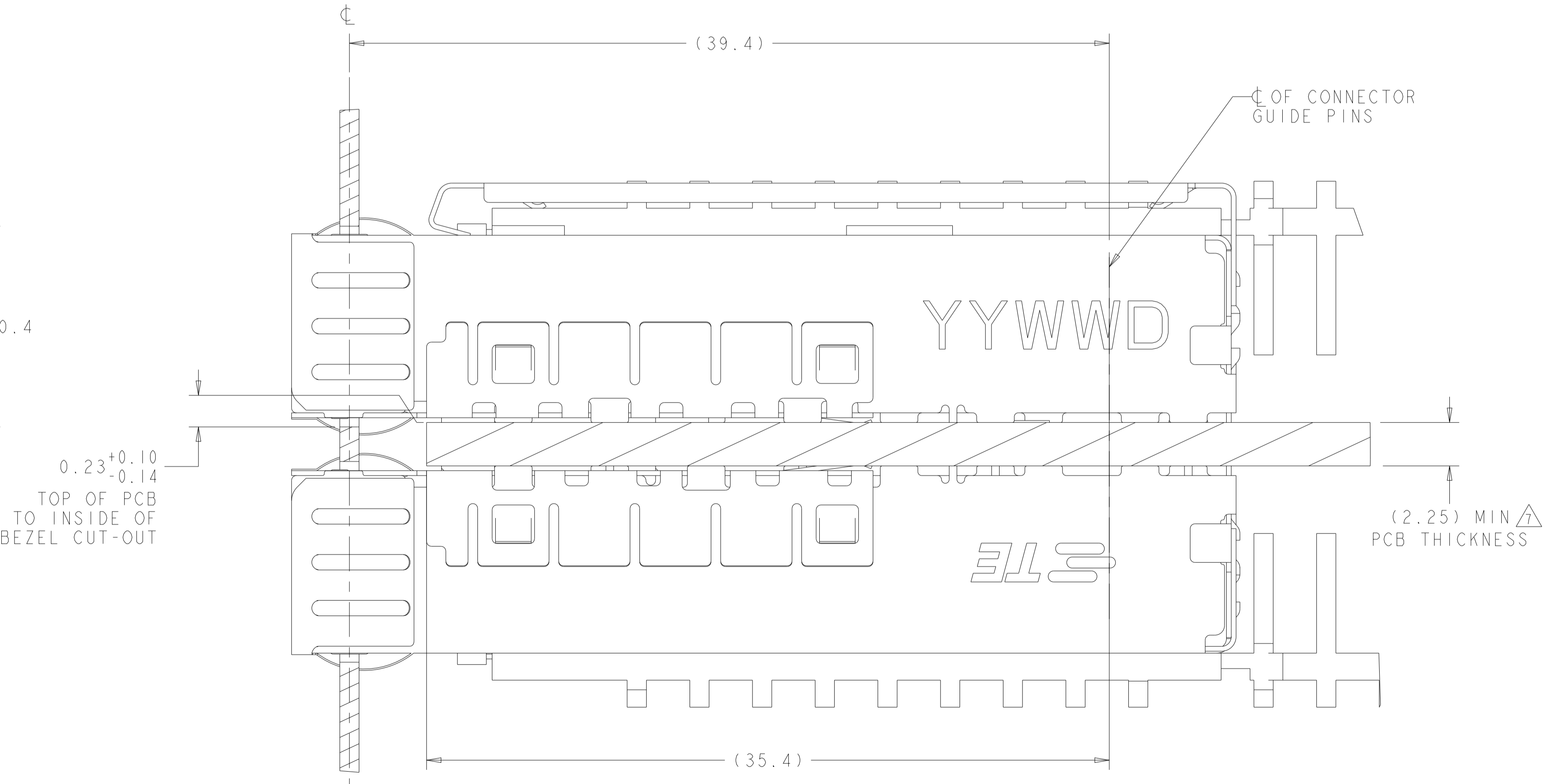
RECOMMENDED BEZEL CUT-OUT
 SINGLE SIDED APPLICATIONS
 SCALE 4:1



RECOMMENDED BEZEL CUT-OUT
 BELLY TO BELLY APPLICATIONS



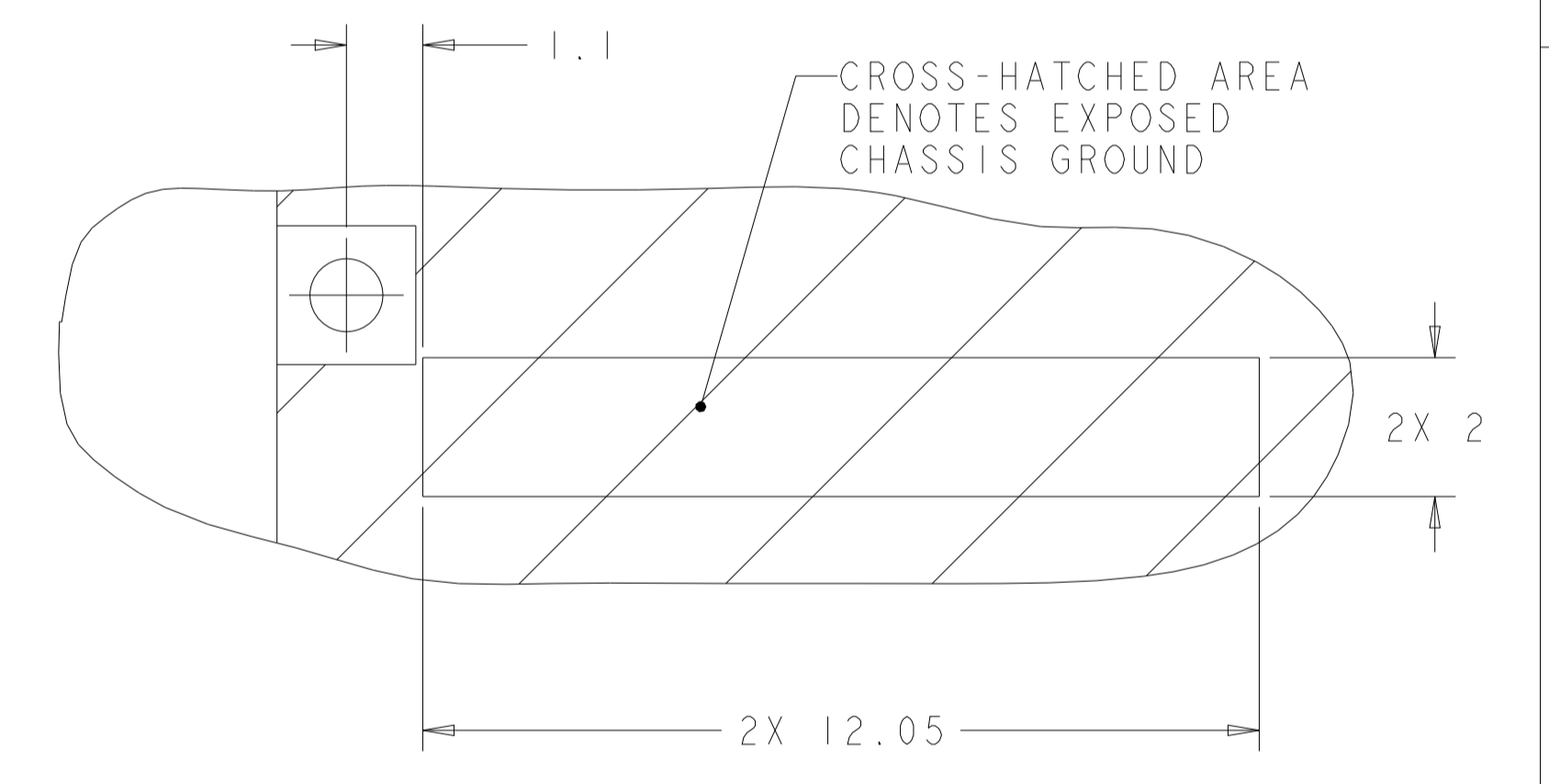
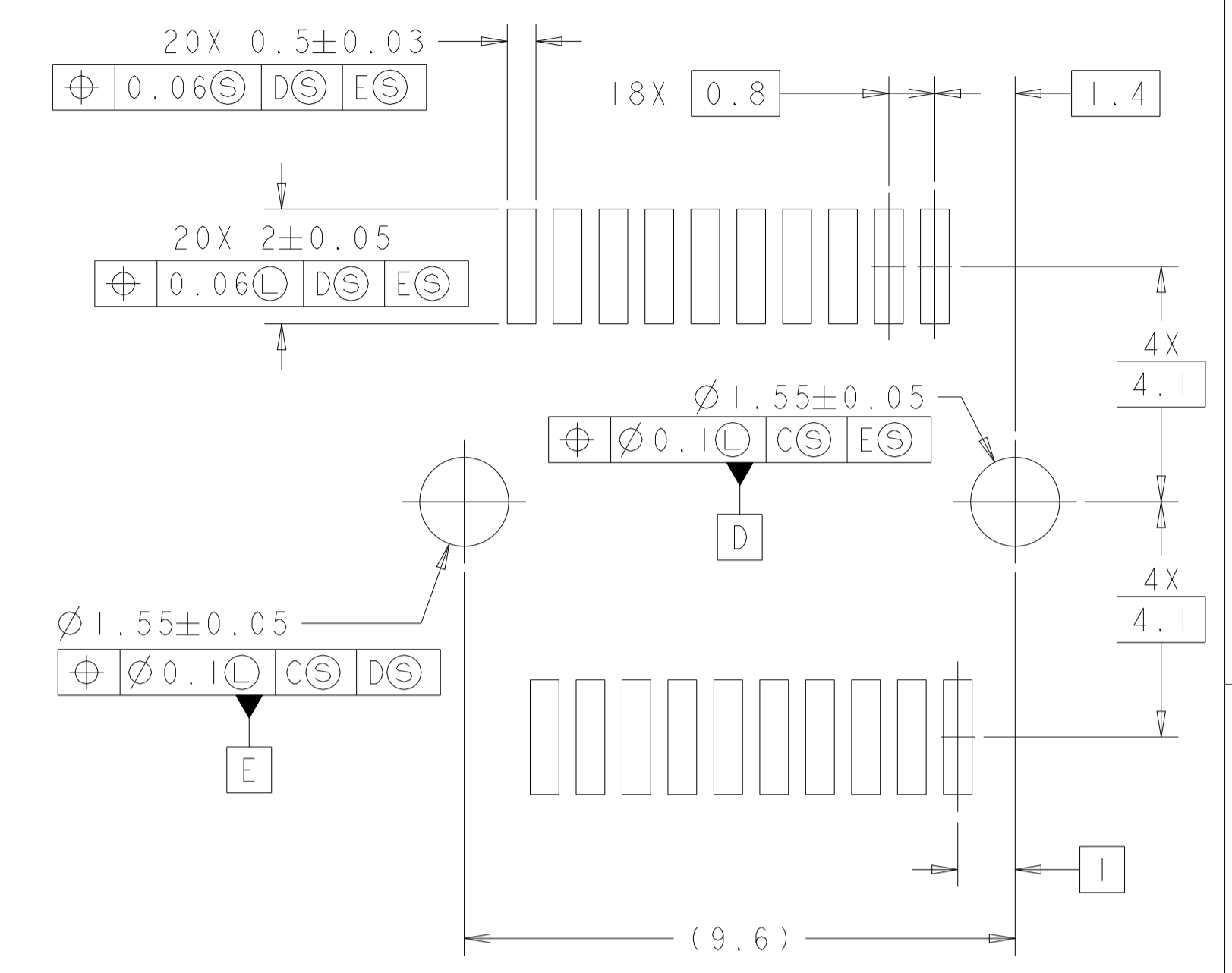
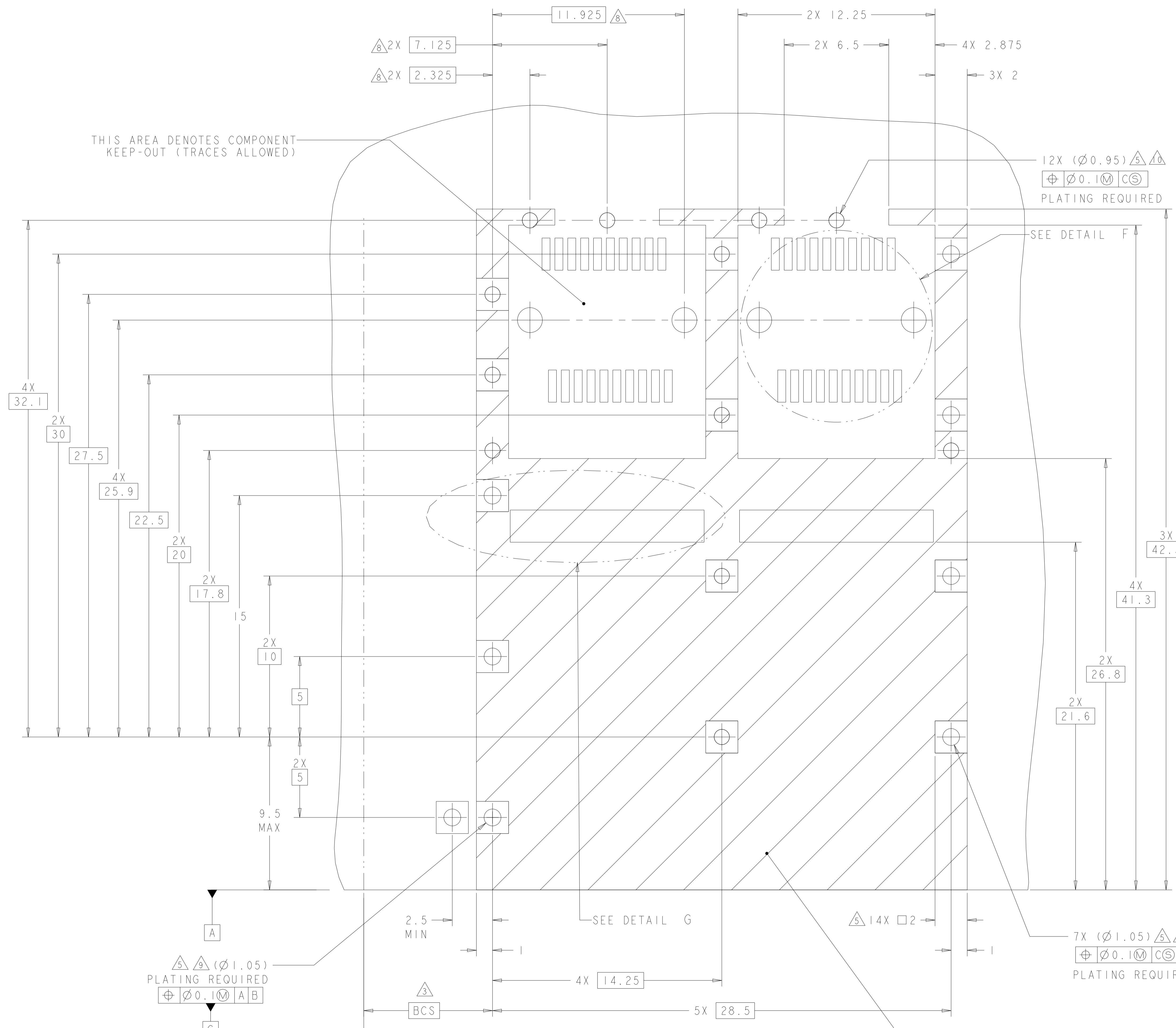
2170190-1
 MOUNTED ON PC BOARD
 SHOWN THRU RECOMMENDED BEZEL



2170190-1
 MOUNTED BELLY TO BELLY ON PC BOARD
 SHOWN THRU RECOMMENDED BEZEL

THIS DRAWING IS A CONTROLLED DOCUMENT.		DMN	TIM XUE	21NOV2011	TE Connectivity SFP+ ENHANCED 1X2 CAGE ASSEMBLY, PRESS-FIT, EMI SPRINGS, HEAT SINK
DIMENSIONS:		CHK	ALEX CAI	21NOV2011	
TOLERANCES UNLESS OTHERWISE SPECIFIED:		APVD	ALEX CAI	21NOV2011	
0 PLC ±0.13 1 PLC ±0.1 2 PLC ±0.08 3 PLC ±0.05 4 PLC ±0.05 ANGLES ±1		PRODUCT SPEC	108-2364	APPLICATION SPEC	
MATERIAL		SIZE	CAGE CODE	DRAWING NO	RESTRICTED TO
		WEIGHT	114-13120	114-13120	A100779C=2170190
		CUSTOMER DRAWING	SCALE	2:1	SHEET 4 OF 6 REV A6

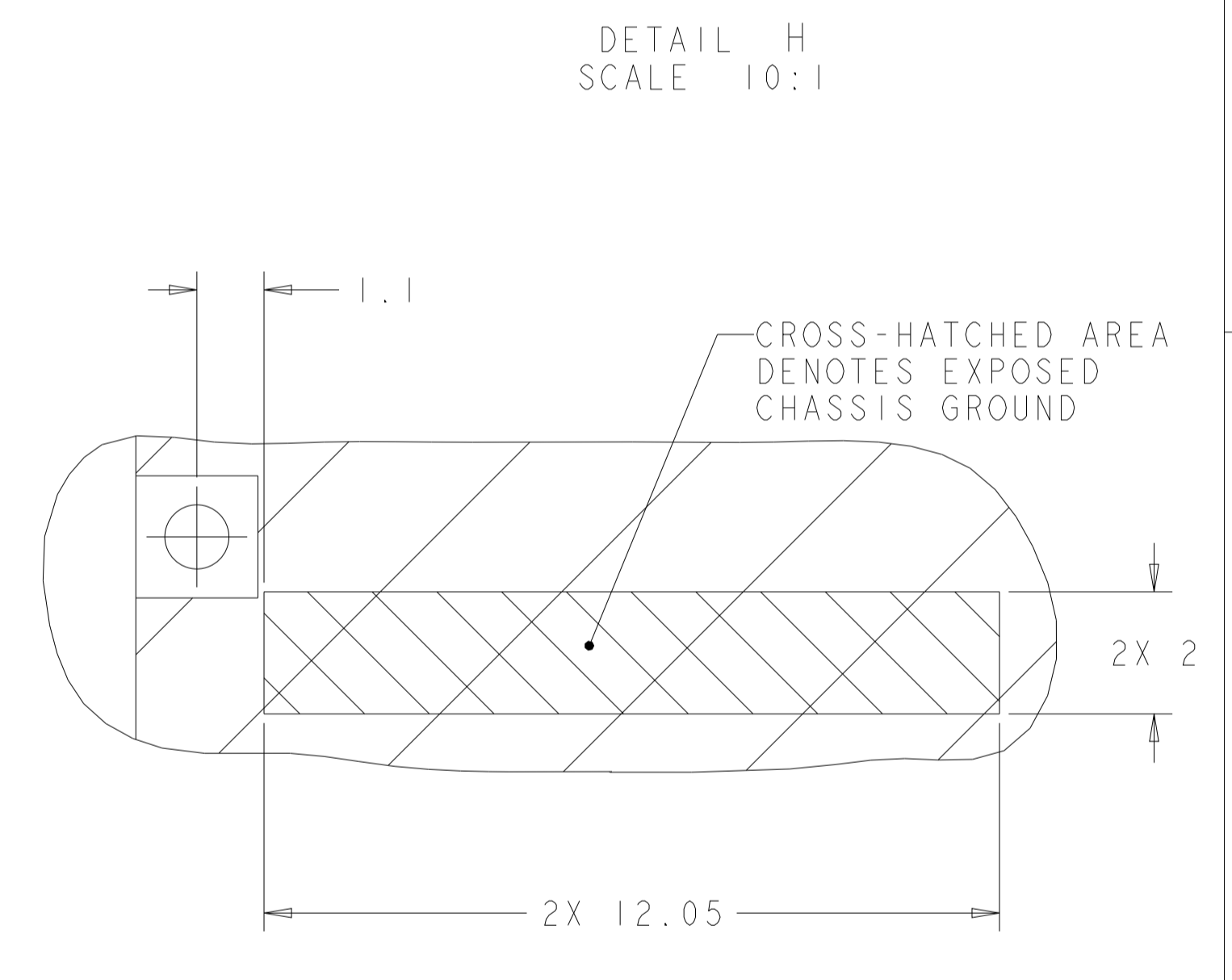
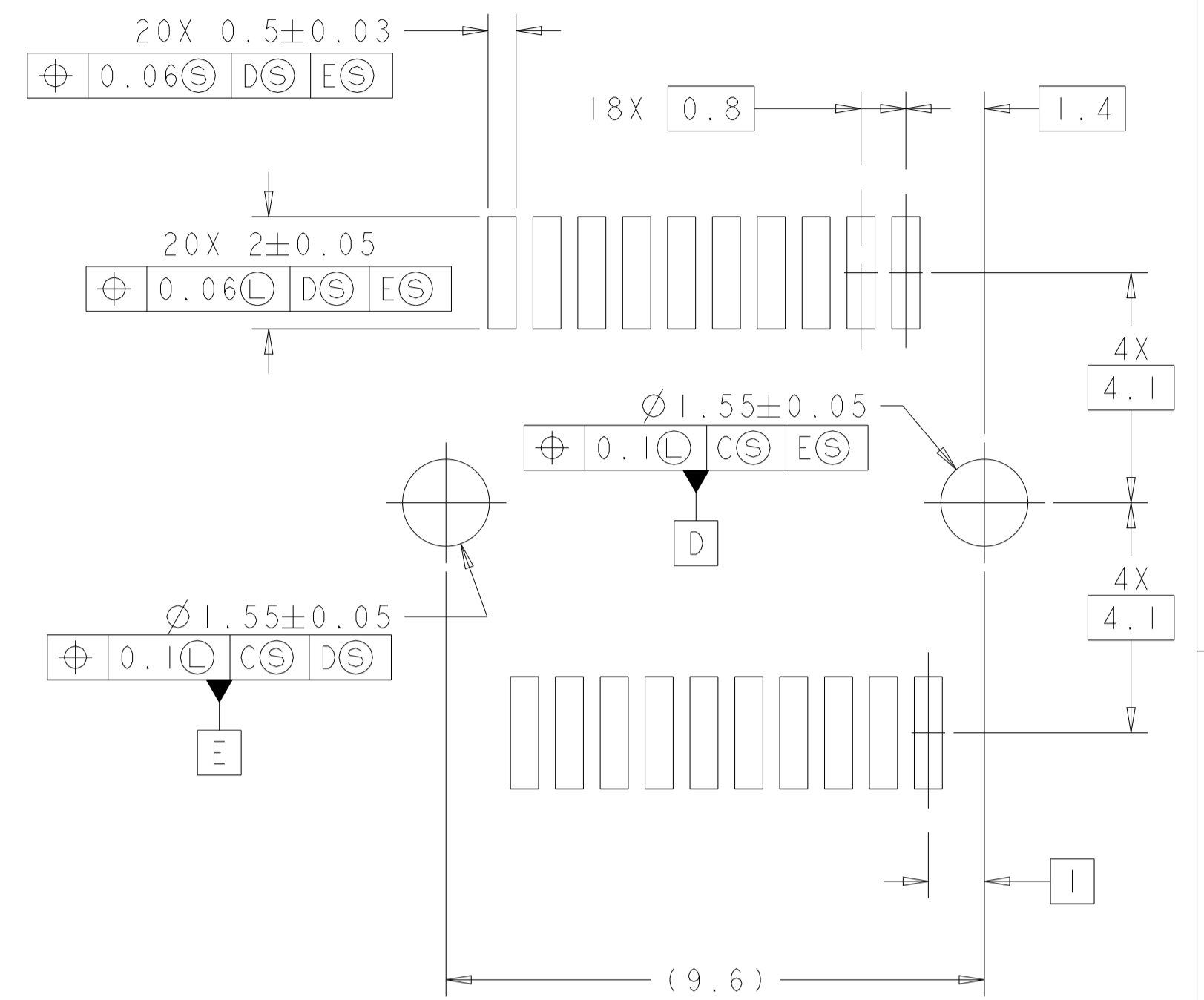
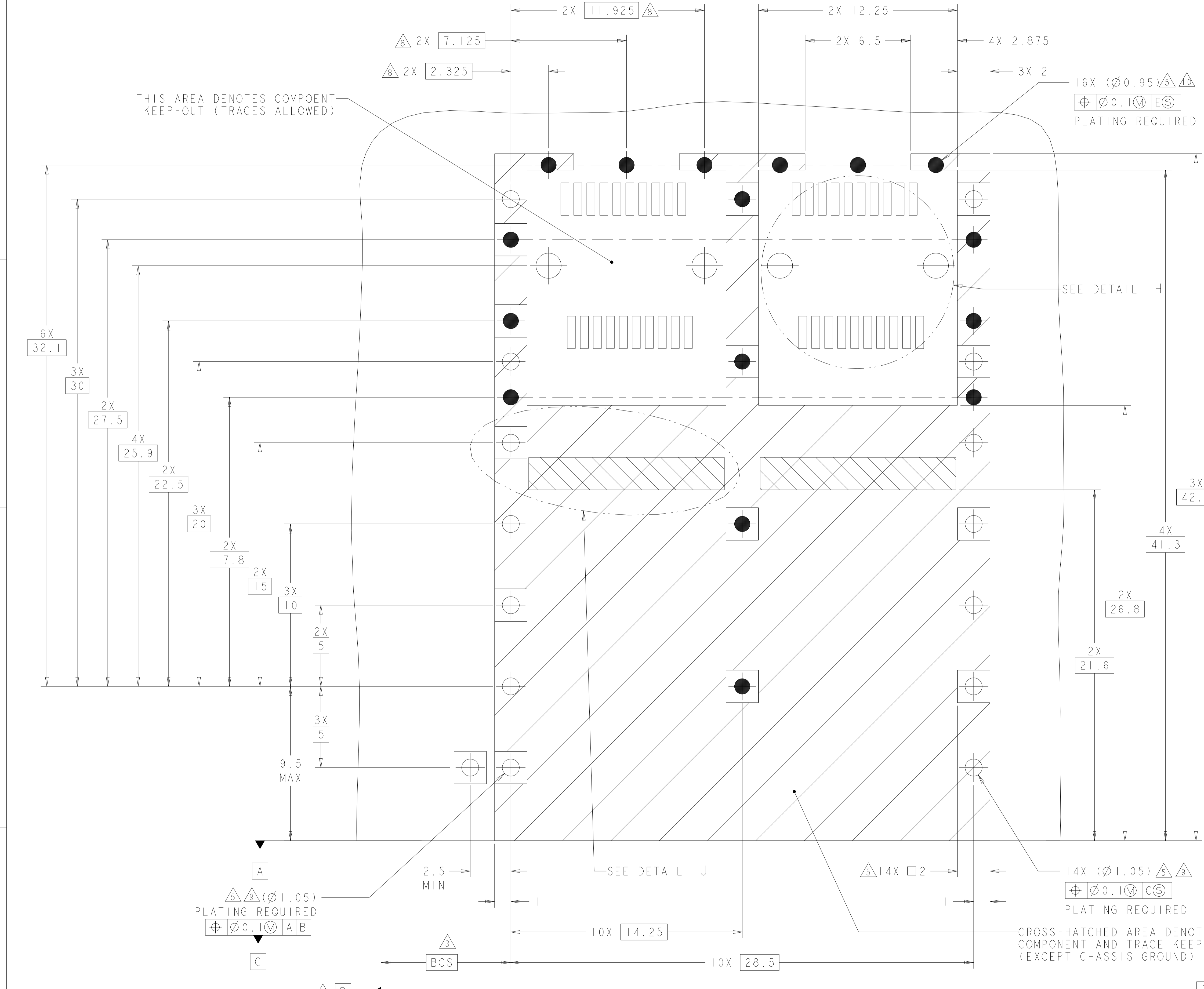
LOC	DIST	REV	DATE	BY	APPD
GP	00				



RECOMMENDED PCB CONFIGURATION WITH KEEP-OUT AREAS SINGLE SIDED APPLICATIONS SCALE 8:1

THIS DRAWING IS A CONTROLLED DOCUMENT.		OWN: TIM XUE 21NOV2011	TE Connectivity
DIMENSIONS: mm		CHK: ALEX CAI 21NOV2011	
TOLERANCES UNLESS OTHERWISE SPECIFIED:		APVD: ALEX CAI 21NOV2011	
0 PLC ±0.13 1 PLC ±0.1 2 PLC ±0.08 3 PLC ±0.05 4 PLC ±0.05 ANGLES ±1		NAME: SFP+ ENHANCED 1X2 CAGE ASSEMBLY, PRESS-FIT, EMI SPRINGS, HEAT SINK	RESTRICTED TO
MATERIAL:		PRODUCT SPEC: 108-2364	
FINISH:		APPLICATION SPEC: 114-13120	SIZE: A1
		WEIGHT:	CAGE CODE: 00779
			DRAWING NO: 2170190
			SCALE: 2:1
			SHEET 5 OF 6
			REV: A6

LOC	DIST	REVISIONS					
GP	00	P	LTN	DESCRIPTION	DATE	OWN	APVD
		-	-	SEE SHEET 1	-	-	-



PLATING REQUIRED
 $\oplus \text{Ø}0.1 \text{M} \text{A} \text{B}$

PLATING REQUIRED
 $\oplus \text{Ø}0.1 \text{M} \text{C} \text{S}$

CROSS-HATCHED AREA DENOTES COMPONENT AND TRACE KEEP-OUT (EXCEPT CHASSIS GROUND)

RECOMMENDED PCB CONFIGURATION WITH KEEP-OUT AREAS BELLY TO BELLY APPLICATIONS SCALE 8:1

THIS DRAWING IS A CONTROLLED DOCUMENT.		OWN: TIM XUE Z1NOV2011	TE Connectivity
DIMENSIONS: mm		CHK: ALEX CAI Z1NOV2011	
TOLERANCES UNLESS OTHERWISE SPECIFIED:		APVD: ALEX CAI Z1NOV2011	NAME: SFP+ ENHANCED 1X2 CAGE ASSEMBLY, PRESS-FIT, EMI SPRINGS, HEAT SINK
0 PLC ±0.13	1 PLC ±0.1	PRODUCT SPEC: 108-2364	SIZE: A1
2 PLC ±0.08	3 PLC ±0.05	APPLICATION SPEC: 114-13120	CAGE CODE: 2170190
4 PLC ±0.05	ANGLES ±1	WEIGHT: -	RESTRICTED TO: -
MATERIAL:	FINISH:	CUSTOMER DRAWING	SCALE: 2:1 SHEET 6 OF 6 REV: A6

单击下面可查看定价，库存，交付和生命周期等信息

[>>TE Connectivity\(泰科\)](#)