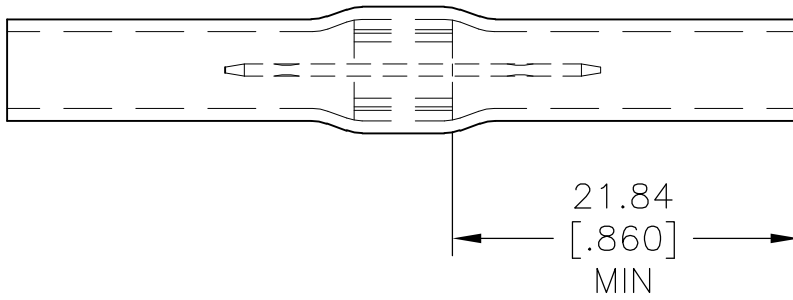
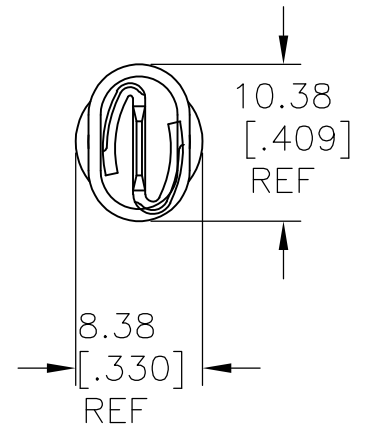
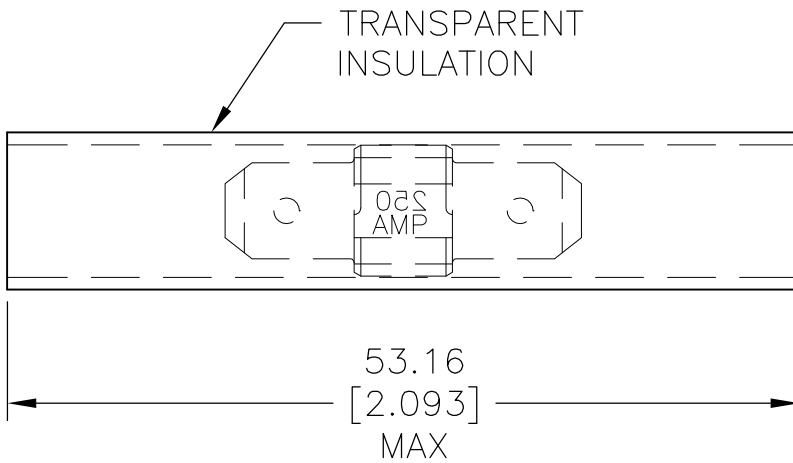


LOC	DIST	REVISIONS					
		P	LTR	DESCRIPTION	DATE	DWN	APVD
—	—	G1		NEW DRAWING PER ECO-11-019045	03APR12	KH	DR

- 1 MATERIAL: BRASS PER ASTM-B19 0.812[.032] THK.
INSULATION: PVC
- 2 FINISH : TIN PLATE PER ASTM-B545
- 3 FOR WIRE SIZE 22-10
- 4 CSA LISTED LR7189, UL RECOGNIZED E66717
- 5 105°C[221°F] MAX TEMPERATURE.
- 6 600V MAX VOLTAGE.



321688
PART NO

THIS DRAWING IS UNPUBLISHED. ALL RIGHTS RESERVED. © COPYRIGHT - By -

DIMENSIONS: mm [INCHES]	DWN	KIRAN HOLAL	03APR12	MATERIAL	1	FINISH	2	
	CHK	ROHDE DANIEL	03APR12	TE Connectivity				
TOLERANCES UNLESS OTHERWISE SPECIFIED: 0 PLC ± - 1 PLC ± - 2 PLC ± - 3 PLC ± - 4 PLC ± - ANGLES ± -	APVD	ROHDE DANIEL	03APR12					FASTON SPLICE 250 SERIES
	PRODUCT SPEC	—			NAME	—		
	APPLICATION SPEC	—			SIZE	CAGE CODE	DRAWING NO	RESTRICTED TO
	WEIGHT	—			A4	00779	C-321688	—
CUSTOMER DRAWING				SCALE	4:1	SHEET	1 OF 1	REV G1

单击下面可查看定价，库存，交付和生命周期等信息

[>>TE Connectivity\(泰科\)](#)